

Honeywell

**LIMIT SWITCH**

CATALOGUE LISTING  
**GLS**  
CHART NO.  
**MTG-GL-167**

**MTG-GL-167**

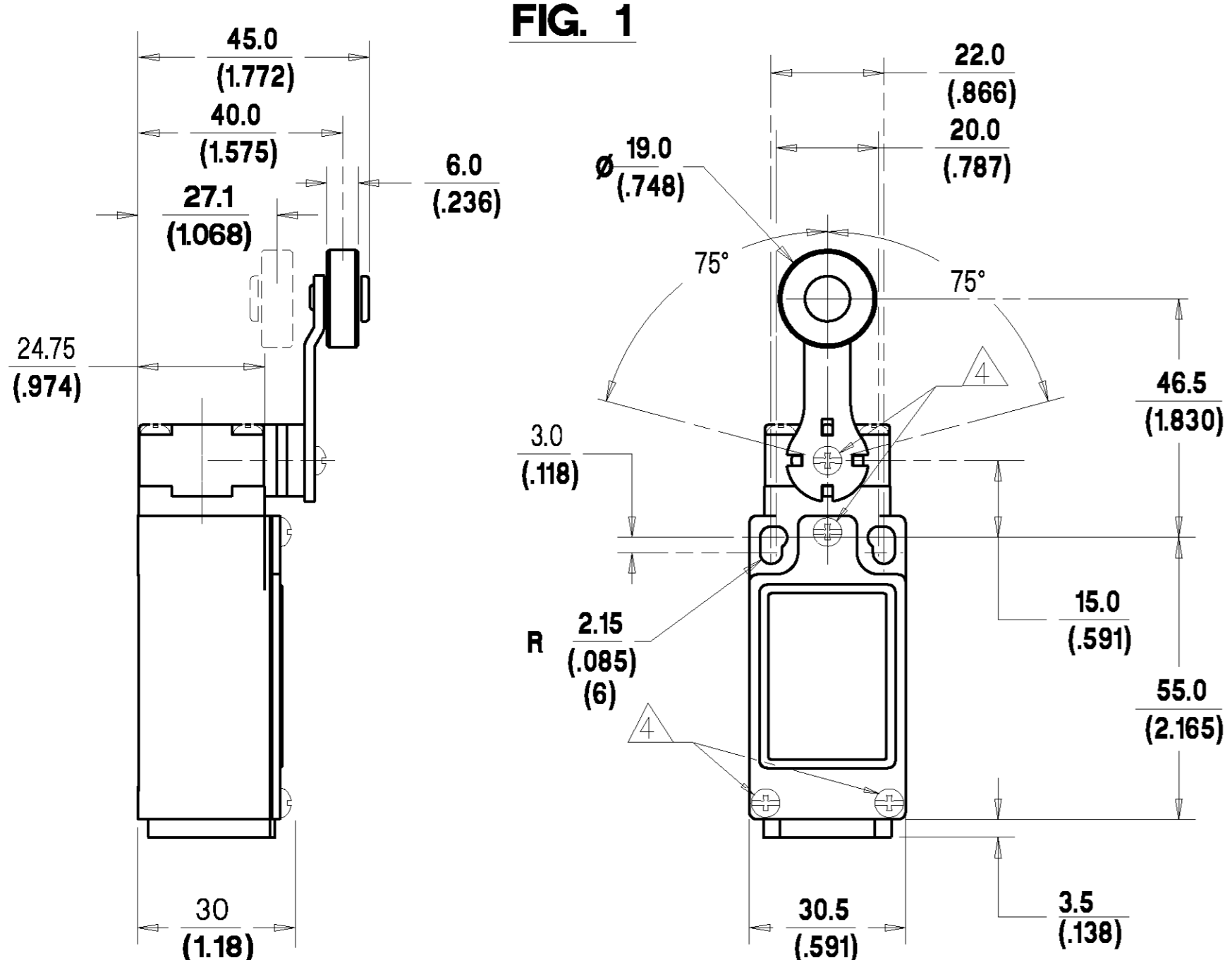
DRAWING NUMBER

ISSUE

REVISIONS

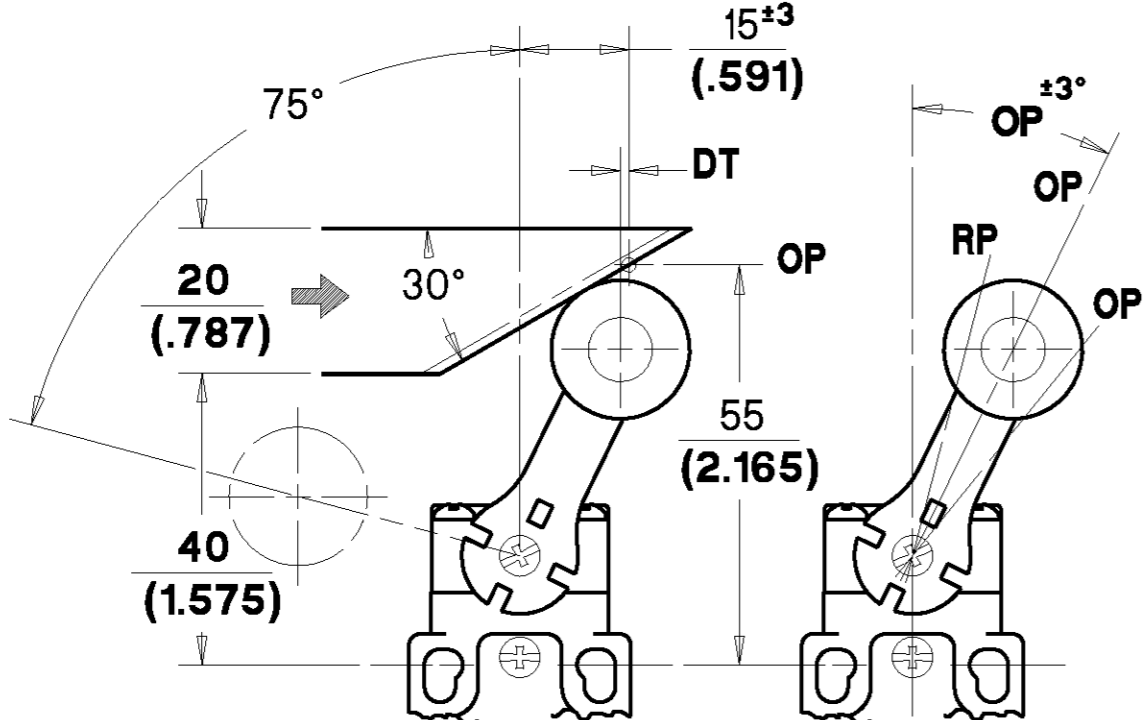
6	9/96
7	12/96
8	7/97
9	8/97
10	2/98
11	CO/395
1	WEIR 6/98

RELEASE NUMBER AO18-38



**FIG. 1**

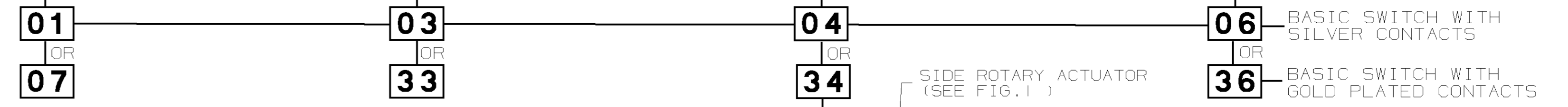
CONDUIT THREAD PG 13.5 **B**



- NOTES:-**
- ZINC DIECAST BODY AND HEAD WITH STEEL COVER. BODY AND COVER FINISHED IN MICRO SWITCH BLUE EPOXY PAINT. HEAD FINISHED IN BLACK EPOXY PAINT.
  - MINIMUM OPERATING VELOCITY (V<sub>min</sub>) = 2.0 MM/S (THESE LIMITS APPLY TO CAM OPERATION AS SHOWN IN THE ABOVE DIAGRAMS ONLY)  
MAXIMUM OPERATING VELOCITY (V<sub>max</sub>) = 200 MM/S  
MAXIMUM OPERATING FREQUENCY (F<sub>max</sub>) = 250 OPS/MIN
  - FREE POSITION (FP), OPERATING POINT (OP), OVERTRAVEL (OT) AND PRETRAVEL (PT) ALL TO EN50047.
  - MAXIMUM TIGHTENING TORQUE FOR FIXING SCREW = 0.5Nm (4.4in.LB)

NO CHANGES CAN BE MADE TO THIS DRAWING WITHOUT JOINT NEWHOUSE/FREEPORT APPROVAL

<p>SNAP-ACTION CONTACTS</p>	<p>SLOW-ACTION CONTACTS (BREAK BEFORE MAKE)</p>	<p>SLOW-ACTION CONTACTS (MAKE BEFORE BREAK)</p>	<p>SLOW-ACTION CONTACTS (2 NORMALLY CLOSED)</p>	<p>CONTACT BLOCK DIAGRAM TERMINAL DESIGNATION TO EN 50013</p>
<p>FP = 0°    OP = 26°    RP = 145° DT = 115°    * = 54°    OT = 6° to 75°</p>	<p>FP = 0°    OP = 23°    * = 34°    OP2 = 36°    OT = 6° to 75°</p>	<p>FP = 0°    OP = 26°    * = 50.5°    OP2 = 39°    OT = 6° to 75°</p>	<p>FP = 0°    OP = 26°    * = 46.5°    OT = 6° to 75°</p>	<p>NOMINAL TRAVELS AND RELATED TERMINALS</p> <p>CONTACT OPEN</p> <p>* POSITIVE OPENING TO IEC 947-5-1-3</p>
<p>120 (1.1)</p>	<p>110 (1.0)</p>	<p>110 (1.0)</p>	<p>110 (1.0)</p>	<p>NORMAL OPERATING TORQUE MAX (Nmm (in.lbs))</p>
<p>140 (1.3)</p>	<p>160 (1.5)</p>	<p>170 (1.6)</p>	<p>150 (1.4)</p>	<p>MAXIMUM DISCONNECT TORQUE (Nmm (in.lbs))</p>



EN50047 BODY TYPE (SEE FIG. 1) → **GLC** **X** **XX** **A1** **X** **X** **XXXX** → MODIFICATION CODE

ROLLER MATERIAL A = PLASTIC : B = METAL.

HEAD ORIENTATION AND LEVER DIRECTION OF OPERATION (SEE FIG. 3)

1 2 3 4 5

CABLE 5 WIRE, WITH GROUND, LAST CHARACTER IS CABLE LENGTH IN METRES. CABLE LENGTHS ARE FROM 1 TO 9 METRES. ONLY AVAILABLE WITH CONDUIT THREAD TYPE 'B'.

CONNECTOR, 4 PIN MICRO. ONLY AVAILABLE WITH CONDUIT THREAD TYPE 'B'.

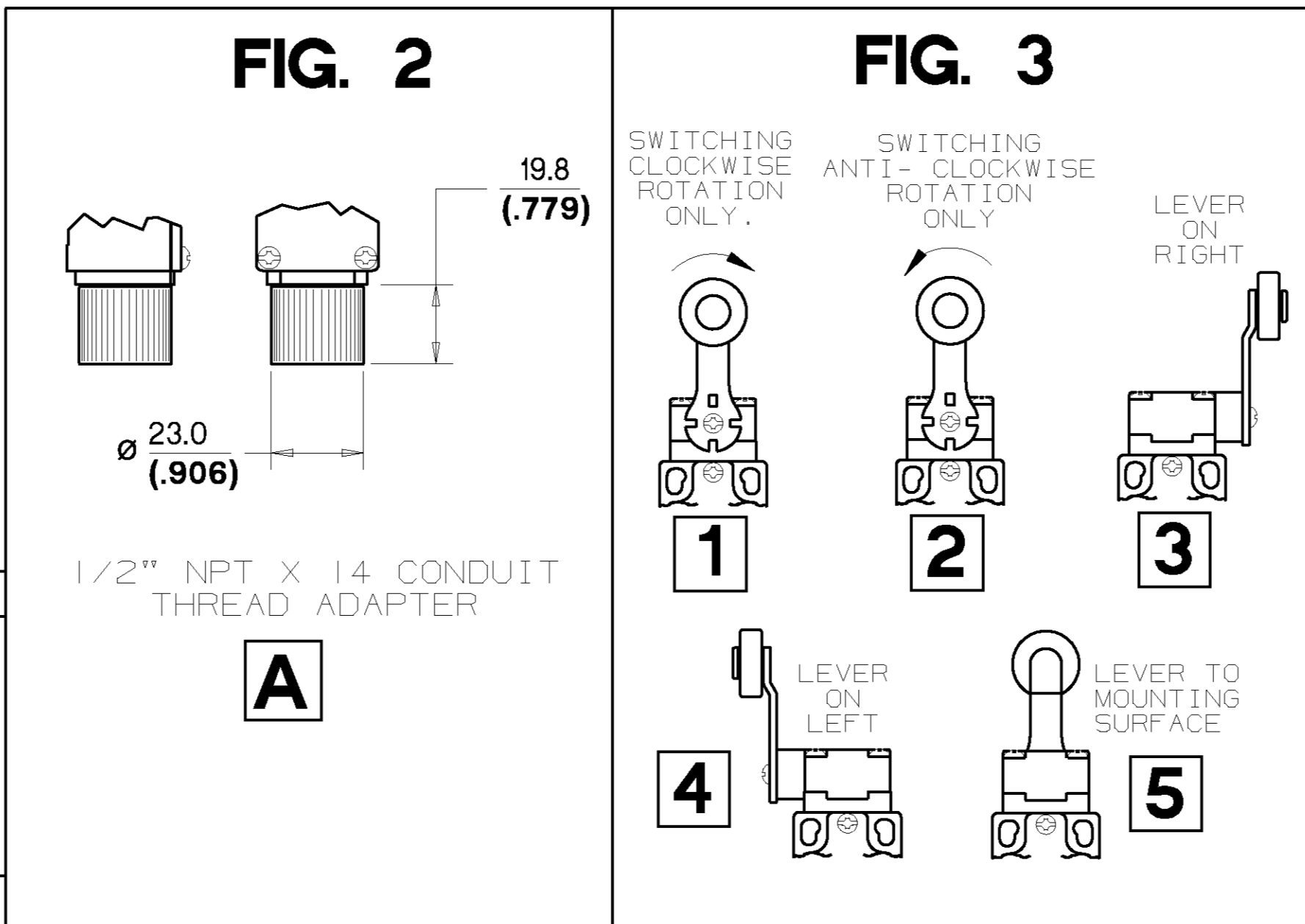
CONNECTOR, 5 PIN MICRO TWIN KEYWAY. ONLY AVAILABLE WITH CONDUIT THREAD TYPE 'B'.

CONNECTOR, 4 PIN MINI. ONLY AVAILABLE WITH CONDUIT THREAD TYPE 'B'.

CONNECTOR, 5 PIN MINI. ONLY AVAILABLE WITH CONDUIT THREAD TYPE 'B'.

CONNECTOR, 5 PIN MICRO. ONLY AVAILABLE WITH CONDUIT THREAD TYPE 'B'.

NOTE:- ANY STANDARD LISTING WITH SUFFIX 'RS' OR 'FE' IS PERMITTED.



BLANK = NO ROLLER FITTED.

BLANK = LEVER TO FRONT, SWITCHING IN BOTH DIRECTIONS.

NOTE: FOR CONNECTION DIAGRAMS AND ADDITIONAL ELECTRICAL, ENVIRONMENTAL & DIMENSIONAL INFORMATION SEE DRAWING GL-4922.

3/93	3/93	3/93	STANDARD SILVER CONTACTS	GOLD PLATED CONTACTS	ENVIRONMENTAL	APPROVALS
3/93	3/93	3/93	ELECTRICAL RATING	ELECTRICAL RATING	ENVIRONMENTAL	APPROVALS
AC	DC					
A300 U <sub>e</sub>	AC15 I <sub>e</sub>	O300 U <sub>e</sub>	DC13 I <sub>e</sub>	I <sub>th</sub> = 10A	IP66 NEMA 1, 4, 12, 13	UL
VOLTS	AMPS	VOLTS	AMPS	IV 10µA MIN.	TEMP RANGE : -25°C TO 85°C -13°F TO 185°F	IEC 947-5-1
120	6	125	0.55	50V 100mA MAX.	STORAGE : -40°C TO 85°C -40°F TO 185°F	EN50047
240	3	250	0.27		SHOCK : 50G PER IEC 68-2-27	
					VIBRATION : 10G PER IEC 68-2-6	

THE COPYRIGHT OF THIS DRAWING IS THE PROPERTY OF HONEYWELL LTD. THE DRAWING IS SUPPLIED IN CONFIDENCE AND MUST NOT BE USED FOR ANY PURPOSE OTHER THAN THAT FOR WHICH IT IS SUPPLIED.

THIRD ANGLE PROJECTION

SCALE: 1:1

DIMENSIONS ARE IN MM/INCHES.

MODIFY ON CAD SYSTEM ONLY