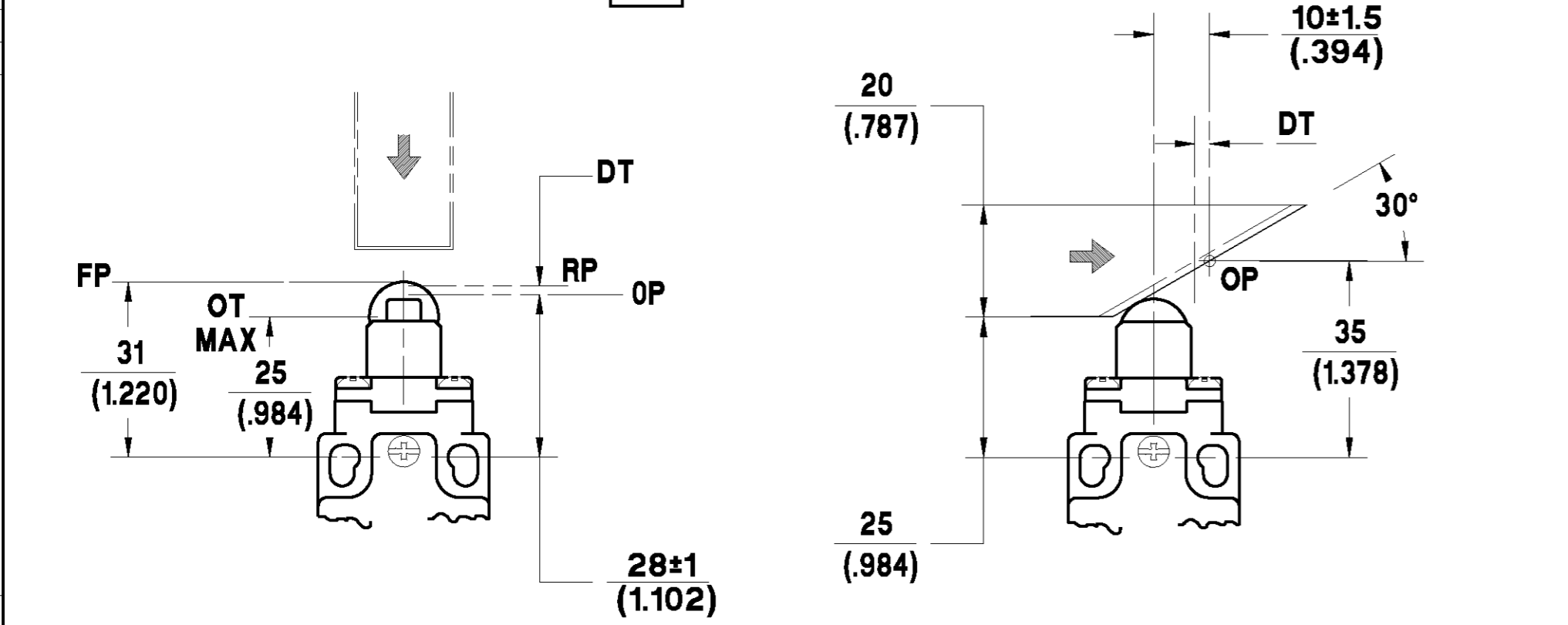
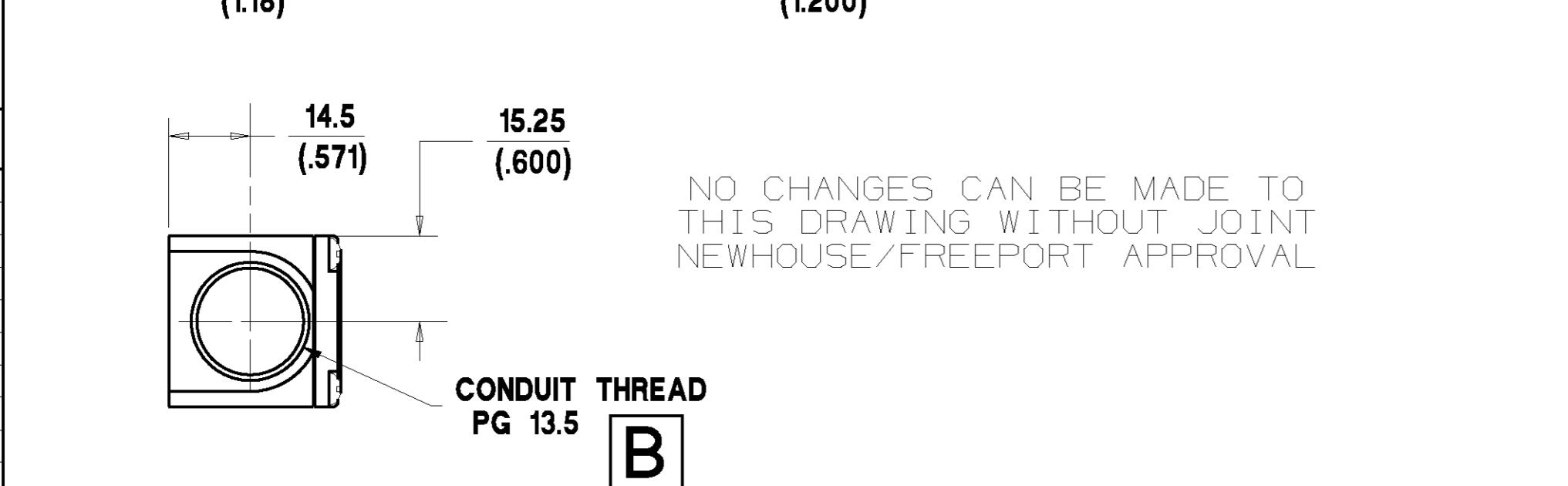
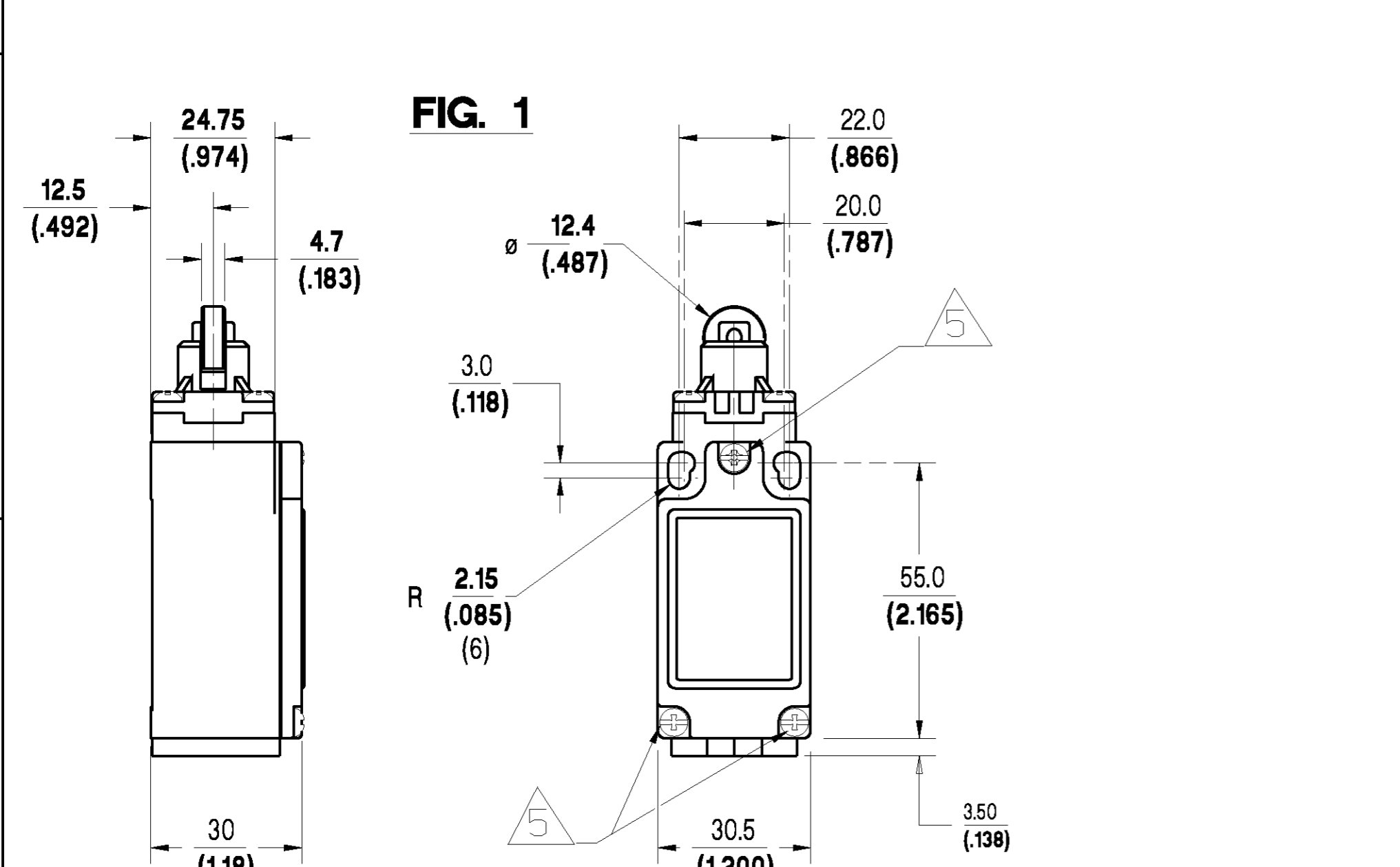


MTG-GL-174
 REPLACES
 DRAWING NUMBER AO18-170
 ISSUE 9
 REVISIONS
 5 7/96 AO18-262
 6 12/96 AO18-293
 7 7/97 CO-000083
 8 8/97 CO-000105
 9 CO/395 I WEIR 6/98
 DRAWN M. LOCH
 CHECK I. WEIR
 DESIGN J. BOYD
 AUTHOR P. TRICKETT
 MODIFY ON CAD3D SYSTEM ONLY

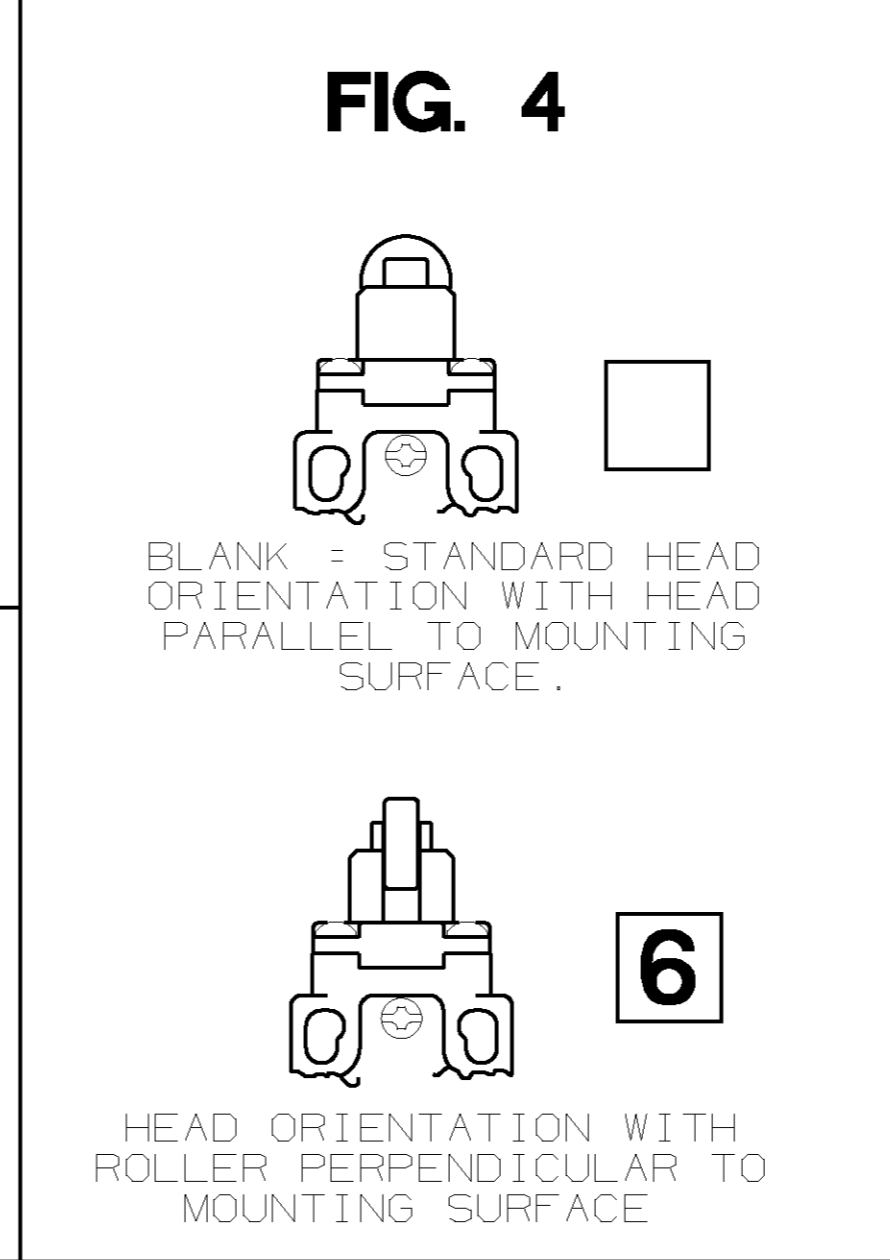
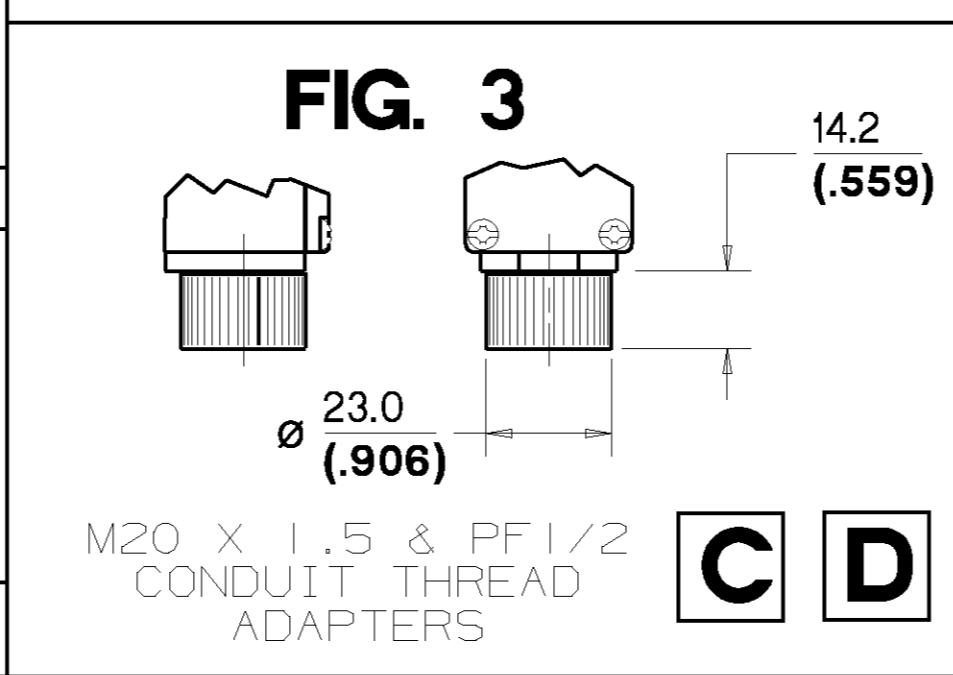
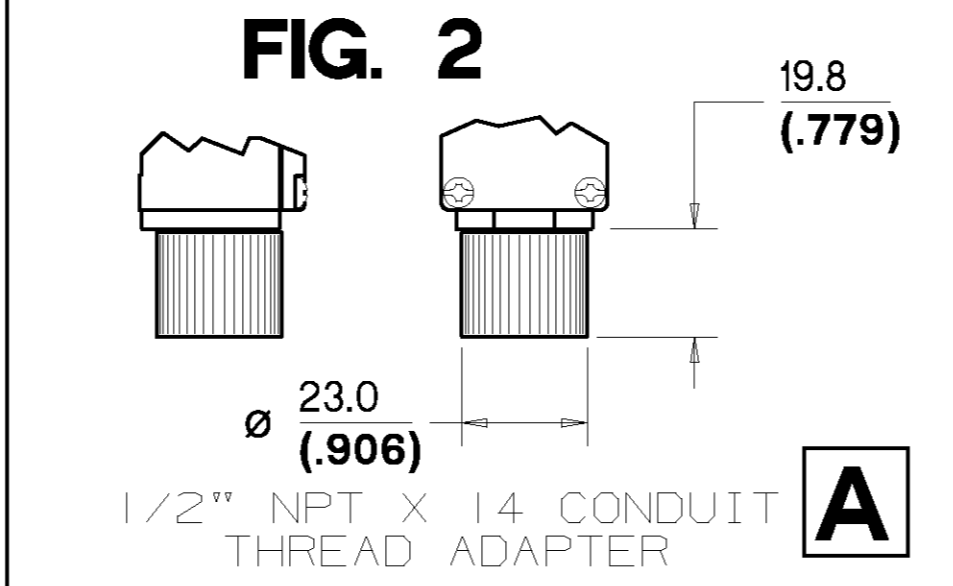
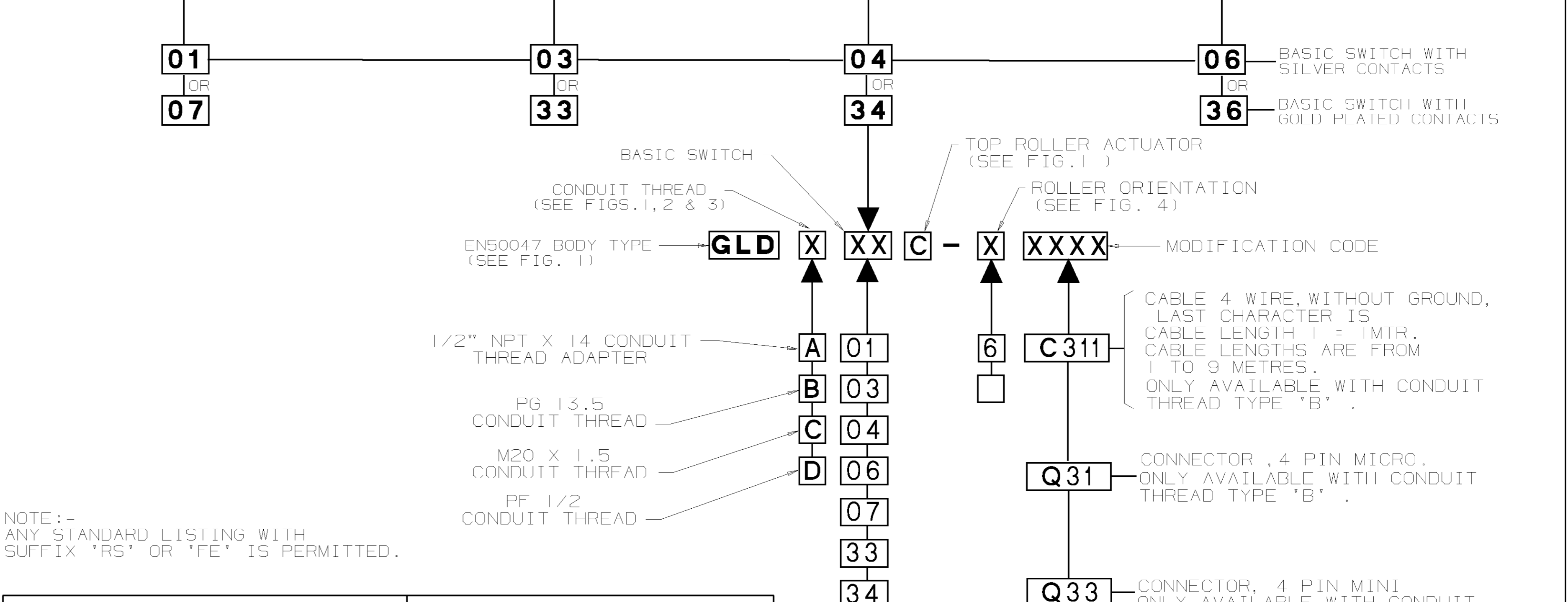
Honeywell **LIMIT SWITCH** **GLS**
 CHART NO. **MTG-GL-174**



NOTES:-
 1. MICRO SWITCH BLUE GLASS FILLED POLYESTER HOUSING & COVER. BLACK GLASS FILLED POLYAMIDE HEAD.
 2. ENCLOSURE DOUBLE INSULATED TO IEC 539 CLASS II.
 3. MINIMUM OPERATING VELOCITY (V_{min}) = 1.0 MM/S (THESE LIMITS APPLY TO CAM OPERATION AS SHOWN IN THE ABOVE DIAGRAMS ONLY)
 MAXIMUM OPERATING VELOCITY (V_{max}) = 100 MM/S
 MAXIMUM OPERATING FREQUENCY (F_{max}) = 250 OPS/MIN
 4. FREE POSITION (FP), OPERATING POINT (OP), OVERTRAVEL (OT) AND PRETRAVEL (PT) AS TO EN50047.
 5. MAXIMUM TIGHTENING TORQUE FOR FIXING SCREW = 0.5Nm (4.4in.LB)

IEC 947-5-1 ELECTRICAL RATING			ENVIRONMENTAL		APPROVALS
SILVER CONTACTS			GOLD PLATED CONTACTS		UL IEC 947-5-1 EN50047
AC	AC (FOR 2NC)	DC	IP66	NEMA 1, 4, 12, 13	
A600 AC15 U _e I _e	A500 AC15 U _e I _e	O500 DC13 U _e I _e	TEMP RANGE: -25°C TO 85°C -13°F TO 185°F	SHOCK: 50G PER IEC 68-2-27 VIBRATION: 10G PER IEC 68-2-6	
VOLTS AMPS 120 5 240 5 380 1.5 480 1.5 500 1.4 600 1.4	VOLTS AMPS 120 5 240 5 380 1.5 480 1.5 500 1.4	VOLTS AMPS 120 5 250 0.27	STORAGE: -40°C TO 85°C -40°F TO 185°F		
I _{th} = 10A 1V 10µA MIN. 50V 100mA MAX.			SCALE 1:1 DIMENSIONS ARE IN MM/INCHES.		

CONTACT BLOCK DIAGRAM TERMINAL DESIGNATION TO EN 50013	NOMINAL TRAVELS AND RELATED TERMINALS	NORMAL OPERATING FORCE MAX	MAXIMUM DISCONNECT FORCE
SNAP-ACTION CONTACTS 		16 (3.6)	23 (5.2)
SLOW-ACTION CONTACTS (BREAK BEFORE MAKE) 		14 (3.2)	24 (5.4)
SLOW-ACTION CONTACTS (MAKE BEFORE BREAK) 		16 (3.6)	27 (6.1)
SLOW-ACTION CONTACTS (2 NORMALLY CLOSED) 		13 (2.9)	23 (5.2)



NOTE: FOR CONNECTION DIAGRAMS AND ADDITIONAL ELECTRICAL, ENVIRONMENTAL & DIMENSIONAL INFORMATION SEE DRAWING GL-49212