

# SERIES 6425 - KEY SWITCHES

TO 100 mA 28 V



## PRODUCT FEATURES

- ◆ Single-pole normally open contact with and without LEDs
- ◆ Pleasant actuating characteristic and low actuation noise
- ◆ Low bounce time
- ◆ Standard with gold-plated contacts
- ◆ Wide range of key caps for different design requirements

## ON REQUEST

- ◆ Customized key caps
- ◆ Other LED colors
- ◆ Bicolor LED

Contact resistance (new condition)	< 250 mOhm
Insulation resistance (new condition)	> 100 MOhm
Bounce time	< 5 ms
Contact distance	< 3 mm
Ambient temperature	-20 °C ... +70 °C
Contact material	Au
Material	actuator housing connections
	POM PBTP tinned
Connection type	PCB terminal
Mechanical life endurance	1E6 at 10 mA 12 V
Miscellaneous	The key base of the standard key can be snapped into a 1.2 mm thick frame with a cut-out of 13.55 x 13.55 mm. A current limiting to max. 20 mA must be provided for the integrated LED!



ROCKER SWITCHES

PUSHBUTTON SWITCHES

TOGGLE SWITCHES

SLIDE SWITCHES

ROTARY SWITCHES

FOOT SWITCHES

POWER TOOL SWITCHES

TACT AND KEY SWITCHES











SNAP-ACTION SWITCHES

MICRO-SIGNAL SWITCHES

SENSORS

# SERIES 6425 - KEY SWITCHES

TO 100 mA 28 V

	100 mA 28 V	Color lamp	Pitch in mm	Operating force in N	Total travel / stroke in mm	Miscellaneous	Stock version
<b>Normally open contact (SPNO)</b>							
<b>6425.0101</b>	●		> 16	0.7	1.6	customer LED assembly possible	●
<b>6425.1101</b>	●		> 16	0.7	1.6	narrow base for parallel guide	●
<b>6425.3111</b>	●		19	0.7	1.6		●
<b>6425.3121</b>	●		19	0.7	1.6		●
<b>6425.3131</b>	●		19	0.7	1.6		●
<b>6425.4111</b>	●		16	0.7	1.6		●
<b>6425.4121</b>	●		16	0.7	1.6		●
<b>6425.4131</b>	●		16	0.7	1.6		●
<b>6425.6111</b>	●		> 15	0.7	1.6	LED higher for button 827 ... 011	●
<b>6425.6121</b>	●		> 15	0.7	1.6	LED higher for button 827 ... 011	●
<b>6425.6131</b>	●		> 15	0.7	1.6	LED higher for button 827 ... 011	●

Further information under

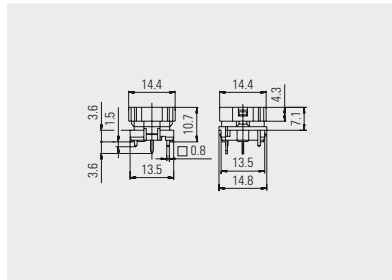
[WWW.MARQUARDT.DE](http://WWW.MARQUARDT.DE)

# SERIES 6425 - KEY SWITCHES

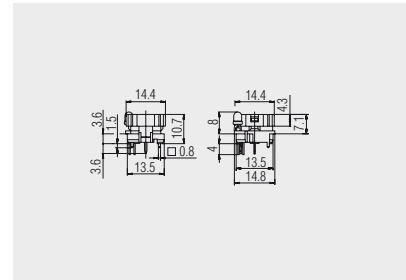
TO 100 mA 28 V



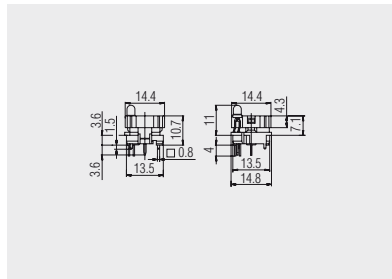
Basic type 6425



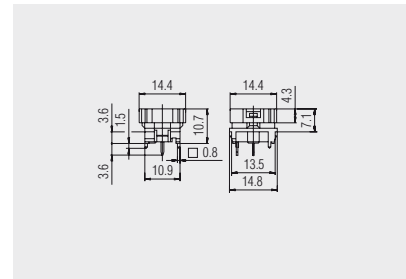
Without LED or customer LED assembly



With LED



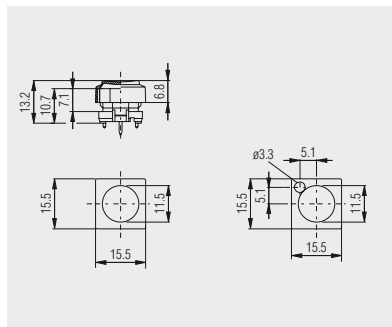
With LED for design key caps



For multiple key caps with parallel guide



Square key caps  
pitch 16 mm

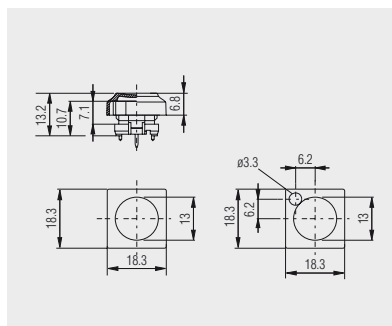


without LED window:  
826.000.011 - anthracite  
826.000.021 - dark gray  
826.000.071 - red  
826.000.091 - green

with LED window:  
829.000.011 - anthracite  
829.000.021 - dark gray  
829.000.071 - red  
829.000.091 - green



Square key caps  
pitch 19 mm

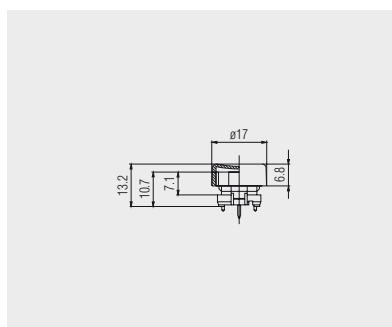


without LED window:  
825.000.011 - anthracite  
825.000.021 - dark gray  
825.000.071 - red  
825.000.091 - green

with LED window:  
828.000.011 - anthracite  
828.000.021 - dark gray  
828.000.071 - red  
828.000.091 - green



Round key caps



Key caps with ergonomic actuation surface

840.000.011 - anthracite  
840.000.021 - dark gray

ROCKER SWITCHES

PUSHBUTTON SWITCHES

TOGGLE SWITCHES

SLIDE SWITCHES

ROTARY SWITCHES

FOOT SWITCHES

POWER TOOL SWITCHES

TACT AND KEY SWITCHES

SNAP-ACTION SWITCHES

MICRO-SIGNAL SWITCHES

SENSORS

# SERIES 6425 - KEY SWITCHES

TO 100 mA 28 V

ROCKER SWITCHES

PUSHBUTTON SWITCHES

TOGGLE SWITCHES

SLIDE SWITCHES

ROTARY SWITCHES

FOOT SWITCHES

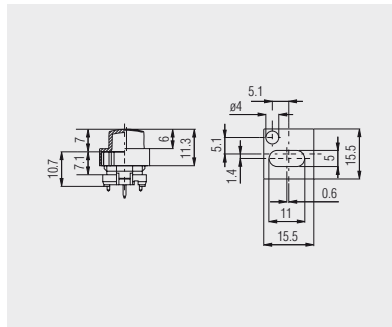
POWER TOOL SWITCHES

TACT AND KEY SWITCHES

SNAP-ACTION SWITCHES

MICRO-SIGNAL SWITCHES

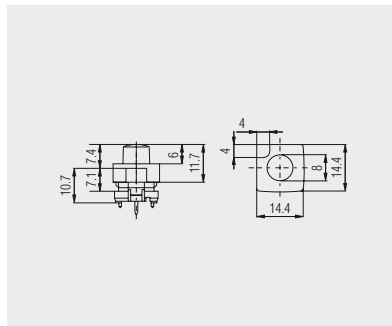
SENSORS



Key cap with oval actuation surface  
pitch 16 mm

827.020.011 - anthracite  
827.020.021 - dark gray  
827.020.031 - gray

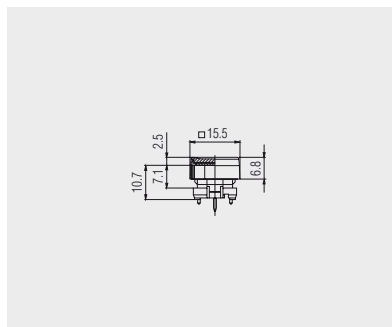
Design key caps



Key cap with round actuation surface  
pitch > 15 mm

827.100.011 - anthracite  
827.100.021 - dark gray  
827.100.031 - gray

Design key caps

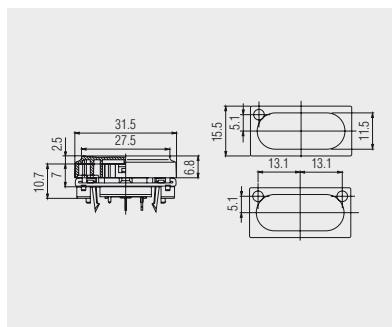


835.900.013 key cap anthracite,  
cap transparent, enclosed loose

With these two-part key caps with  
snap-on transparent caps individual  
inspection and color requirements,  
especially for small series, can be  
implemented at low cost by customer  
insertion.

These key caps are suitable for  
key switches with and without LED  
and pitch 16 mm.

Key caps with transparent cap

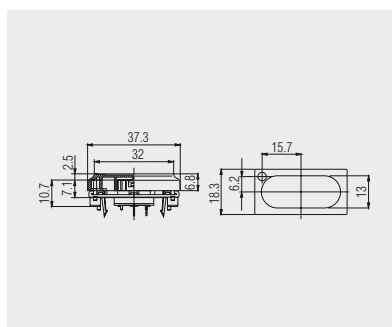


without LED window:  
842.000.011 - anthracite  
842.000.021 - dark gray  
842.000.031 - gray

with one LED window:  
842.500.011 - anthracite

with two LED windows:  
842.800.011 - anthracite

Double key caps  
16 mm pitch



without LED window:  
844.000.011 - anthracite  
844.000.021 - dark gray  
844.000.031 - gray

with one LED window:  
844.500.011 - anthracite

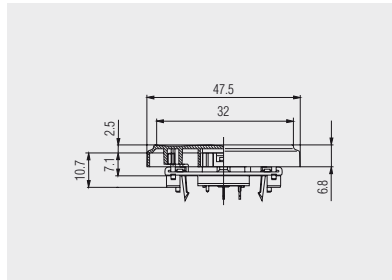
Double key caps  
19 mm pitch

# SERIES 6425 - KEY SWITCHES

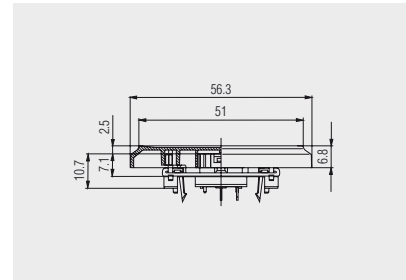
TO 100 mA 28 V



Triple key caps



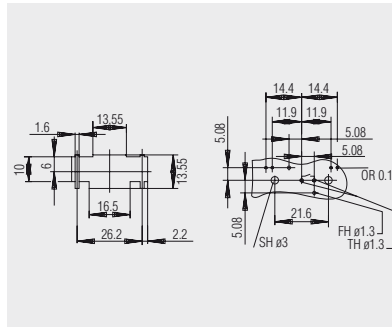
843.000.011 - anthracite  
pitch 16 mm



845.000.011 - anthracite  
pitch 19 mm



Parallel guide



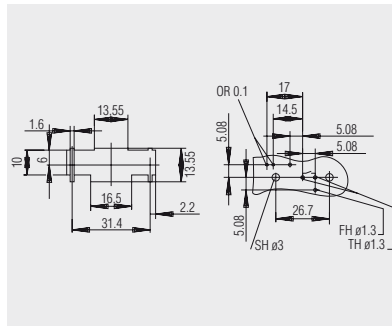
190.053.013  
Recommended appliance cut-out and perforation pattern component side

Parallel guide for:  
double key caps, pitch 16 mm

The parallel guide guarantees an optimum function even in case of off-center actuation and can be equipped additionally with one or two LEDs.



Parallel guide



190.053.023  
Recommended appliance cut-out and perforation pattern component side

Parallel guide for:  
triple key caps, pitch 16 mm  
double key caps, pitch 19 mm  
triple key caps, pitch 19 mm

The parallel guide can be equipped additionally with a LED.

Further information under

[WWW.MARQUARDT.DE](http://WWW.MARQUARDT.DE)

ROCKER SWITCHES  
PUSHBUTTON SWITCHES  
TOGGLE SWITCHES  
SLIDE SWITCHES  
ROTARY SWITCHES  
FOOT SWITCHES  
POWER TOOL SWITCHES  
TACT AND KEY SWITCHES  
SNAP-ACTION SWITCHES  
MICRO-SIGNAL SWITCHES  
SENSORS

# SERIES 6425 - KEY SWITCHES

TO 100 mA 28 V



Square key caps with white characters

Please complete the reference numbers by the three figures below the respective character.












Basic reference numbers for pitch 16 mm:

826 ... 011 - anthracite  
826 ... 021 - dark grey

Basic reference numbers for pitch 19 mm:

825 ... 011 - anthracite  
825 ... 021 - dark grey

Other key cap colors and characters on request.

					
051	052	053	054	055	056
					
057	058	059	060	061	062
					
063	064	065	066	067	068
					
069	070	071	072	073	074
					
075	076				
					
017	018	019	020	021	022
					
023	024	011	016	015	170
					
010	001	002	003	004	
					
005	006	007	008	009	

ROCKER SWITCHES

PUSHBUTTON SWITCHES

TOGGLE SWITCHES

SLIDE SWITCHES

ROTARY SWITCHES

FOOT SWITCHES

POWER TOOL SWITCHES

TACT AND KEY SWITCHES

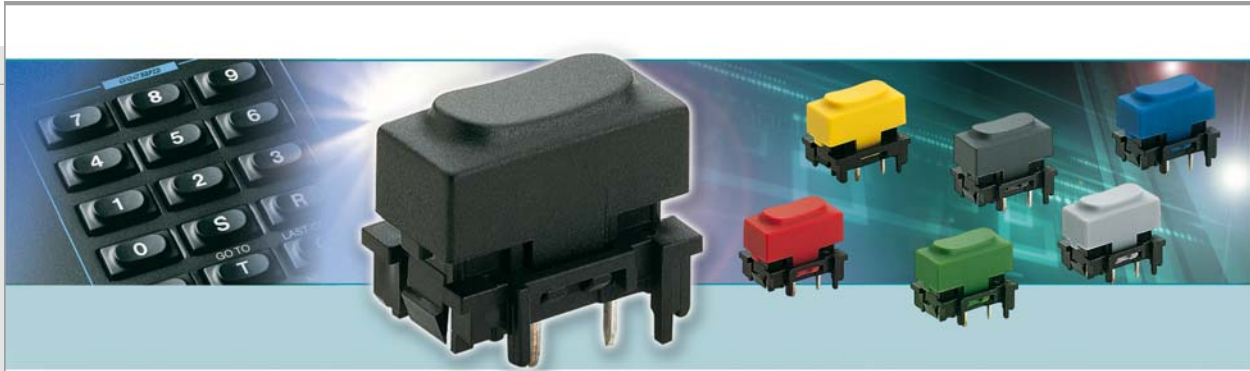
SNAP-ACTION SWITCHES

MICRO-SIGNAL SWITCHES

SENSORS

# SERIES 6450 - KEY SWITCHES

TO 100 mA 28 V



## PRODUCT FEATURES

- ◆ Single-pole normally open contact with key cap
- ◆ Narrow design with proven switching principle of series 6425
- ◆ Pleasant actuating characteristic and low actuation noise
- ◆ Low bounce time
- ◆ Long life endurance
- ◆ Standard with gold-plated contacts

## ON REQUEST

- ◆ Other key cap colors
- ◆ Labeled key cap

Contact resistance (new condition)	< 250 mOhm
Insulation resistance (new condition)	> 100 MOhm
Contact material	Au
Contact distance	< 3 mm
Bounce time	< 5 ms
Ambient temperature	-20 °C ... +80 °C
Material	actuator housing connections
	PA PBTP tinned
Connection type	PCB terminal
Mechanical life endurance	1E6 at 10 mA 12 V



ROCKER SWITCHES

PUSHBUTTON SWITCHES

TOGGLE SWITCHES

SLIDE SWITCHES

ROTARY SWITCHES

FOOT SWITCHES

POWER TOOL SWITCHES

TACT AND KEY SWITCHES








SNAP-ACTION SWITCHES

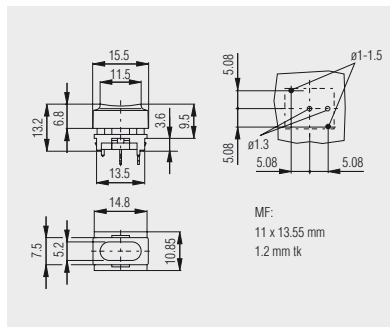
MICRO-SIGNAL SWITCHES

SENSORS

# SERIES 6450 - KEY SWITCHES

TO 100 mA 28 V

	Actuator color / printing	100 mA 28 V	Operating force in N	Total travel / stroke in mm	Miscellaneous	Stock version
<b>Normally open contact (SPNO)</b>						
6450.0001		●	0.7	1.6	gray	●
6450.0003		●	0.7	1.6	dark gray	●
6450.0005		●	0.7	1.6	anthracite similar to RAL 9011	●
6450.0006		●	0.7	1.6	red similar to RAL 3013	●
6450.0007		●	0.7	1.6	yellow similar to RAL 1012	●
6450.0008		●	0.7	1.6	green similar to RAL 6001	●
6450.0009		●	0.7	1.6	blue similar to RAL 5019	●



Narrow key switch with integrated key cap

The key base can be snapped into a 1.2 mm thick frame with a cut-out of 11 x 13.55 mm.

Basic type 6450

Further information under

[WWW.MARQUARDT.DE](http://WWW.MARQUARDT.DE)