



Sample image

CG4

Type Size: S00

Classification Contact: Rigid contact bridge

Classification Contact Mat: Silver

Classification Terminal: Screw terminal

Contact development: A251

Type of mounting: FS2

IEC 60947-3 EN 60947-3, VDE 0660 Teil 107
Rated insulation voltage Ui

Voltage (V)	AC / DC
440	AC / DC

Rated uninterrupted current Iu/Ith

Current (A)	Ambient temperature (°C)	Peak temperature (°C)	additional requirements
10	55	60	Ambient temperature +55°C during 24 hours with peaks up to +60°C

Rated operational current Ie

Utilization category	Voltage (V)	Current (A)
AC-15	220 - 240	2,50
AC-15	380 - 440	1,50

Rated operational power

Utilization category	Voltage (V)	No. of phases	No. of poles	Power (kW)	Current (A)
AC-3	220 - 240	3	3	1,50	--
AC-3	380 - 440	3	3	2,20	4,90
AC-3	220 - 240	1	2	0,55	--
AC-3	380 - 440	1	2	0,75	--
AC-23A	220 - 240	3	3	1,80	--
AC-23A	380 - 440	3	3	3	6,50
AC-23A	220 - 240	1	2	0,75	--
AC-23A	380 - 440	1	2	1,10	--

UL60947-4-1, UL508
Rated insulation voltage Ui

Voltage (V)	AC / DC
300	AC

GENERAL TECHNICAL INFORMATION
Tightening torque of screws

tightening torque (Nm)	tightening torque (lb-in)
0,40	3,50

Stripping length

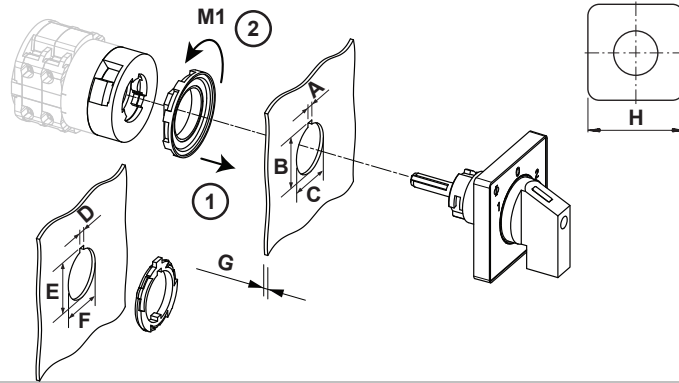
Length (mm)	
6	STRIPPINGLENGTH

Size of conductor

composition of conductor	Min. / Max. value	No. of conductor per terminal	Cross section (mm ²) or (AWG/kcmil)	Material of the wire
solid wire	Min.	1	0.5mm ²	Copper
solid wire	Min.	2	0.5mm ²	Copper
flexible wire	Min.	1	0.75mm ²	Copper
flexible wire	Min.	2	0.75mm ²	Copper
flexible wire	Max.	2	AWG 16	Copper
flexible wire	Max.	2	1.5mm ²	Copper
Single-core or stranded wire	Max.	2	AWG 14	Copper
Single-core or stranded wire	Max.	2	1.5mm ²	Copper
flexible wire with ferrule according to DIN 46228	Max.	2	1mm ²	Copper
flexible wire with ferrule according to DIN 46228	Min.	1	0.5mm ²	Copper
flexible wire with ferrule according to DIN 46228	Min.	2	0.5mm ²	Copper

Mounting-FS2


BF_C_FS2_S00_QUADR

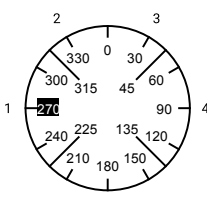
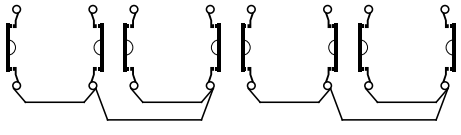


IP - Code front side		IP66, IP67, IP69k
Stages		1,00 - 12,00
A	┌─┐	1,70 mm
A+_tol.	┌─┐	0,20 mm
A-_tol.	┌─┐	0,00 mm
B	┌─┐	17,90 mm
B+_tol.	┌─┐	0,20 mm
B-_tol.	┌─┐	0,00 mm
C	∅	16,20 mm
C+_tol.	∅	0,20 mm
C-_tol.	∅	0,00 mm
D	┌─┐	3,20 mm
D+_tol.	┌─┐	0,20 mm
D-_tol.	┌─┐	0,00 mm
E	┌─┐	24,10 mm
E+_tol.	┌─┐	0,40 mm
E-_tol.	┌─┐	0,00 mm
F	∅	22,30 mm
F+_tol.	∅	0,40 mm
F-_tol.	∅	0,00 mm
G	┌─┐	<= 5,00 mm
H	┌─┐	30,00 mm
M1	↻	0,70 Nm

Wiring diagram

CG4.A251.FS2

 Kraus & Naimer

		CG4				A251				Page 1 of 1			
Face Plate													
		1	3	5	7	9	11	13	15	17	19	21	23
													
Switching Angle <input type="text" value="60"/> Total switching Angle <input type="text" value="180"/>		2	4	6	8	10	12	14	16	18	20	22	24
1	270	■				■							
	285												
	300												
	315												
2	330			■					■				
	345												
	0												
	15												
3	30				■					■			
	45												
	60												
	75												
4	90	■						■					
	105												
	120												
	135												
	150												
	165												
	180												
	195												
	210												
	225												
	240												
	255												

Version: 74