

System connection - PLC-V8L/FLK14/OUT - 2299660

Please be informed that the data shown in this PDF Document is generated from our Online Catalog. Please find the complete data in the user's documentation. Our General Terms of Use for Downloads are valid (<http://download.phoenixcontact.com>)



V8L-OUTPUT adapter for eight 14 mm PLC Interfaces (2 PDTs, etc./see "Supplementary Products"). 14-pos. flat-ribbon cable connection for the PLC system cabling, control logic: Plus switching

Key commercial data

package_quantity	1
GTIN	4017918893163

Technical data

Dimensions

Width	112.3 mm
Height	100 mm
Depth	94 mm

Ambient conditions

Ambient temperature (operation)	-40 °C ... 70 °C
Ambient temperature (storage/transport)	-40 °C ... 70 °C

General

Nominal voltage U_N	24 V DC \pm 25%
Max. current carrying capacity per branch	1 A (per signal path)
Max. total current of voltage supply	3 A
Number of positions	14
Status display	Green LED
Test voltage	500 V (50 Hz, 1 min.)
Mounting position	Any
Assembly instructions	In rows with zero spacing
Standards/regulations	IEC 60664
Standards/regulations	DIN EN 50178
Standards/regulations	IEC 62103
Inflammability class according to UL 94	V0
Pollution degree	2
Surge voltage category	III
Rated surge voltage	0.8 kV

Connection data for connection 1

System connection - PLC-V8L/FLK14/OUT - 2299660

Technical data

Connection data for connection 1

Connection name	Power supply
Number of connections	1
Connection method	Screw connection
Conductor cross section solid min.	0.2 mm ²
Conductor cross section solid max.	4 mm ²
Conductor cross section stranded min.	0.2 mm ²
Conductor cross section stranded max.	2.5 mm ²
Conductor cross section AWG/kcmil min.	24
Conductor cross section AWG/kcmil max	12
Stripping length	8 mm
Screw thread	M3

Connection data for connection 2

Connection name	Signal level
Number of connections	1
Connection method	IDC/FLK pin strip (2.54 mm)
Number of positions	14

Supported controller

Control	SIEMENS S7-400
- suitable I/O card	6ES7 422-1BL00-0AA0
- suitable I/O card	6ES7 422-1BL00-0AA0
Control	GE-FANUC 90-30
- suitable I/O card	IC693 MDL732
- suitable I/O card	IC693 MDL740
- suitable I/O card	IC693 MDL742
Control	ALLEN-BRADLEY ControlLogix
- suitable I/O card	1756-OB32
- suitable I/O card	1756-OB16E
Control	ALLEN-BRADLEY PLC 5
- suitable I/O card	1771 OBN
Control	ALLEN-BRADLEY SLC 500
- suitable I/O card	1746 OB16
- suitable I/O card	1746 OB 32
Control	HONEYWELL PlantScape
- suitable I/O card	TC-ODD 321
Control	MITSUBISHI MELSEC Q
- suitable I/O card	QY81P
Control	SIEMENS S7-300 / ET 200 M
- suitable I/O card	CPU 313C-2DP
- suitable I/O card	CPU 314C-2DP
- suitable I/O card	CPU 314C-2PtP

System connection - PLC-V8L/FLK14/OUT - 2299660

Technical data

Supported controller

- suitable I/O card	6ES7 322-1BH01-0AA0
- suitable I/O card	6ES7 322-1BL00-0AA0
- suitable I/O card	6ES7 323-1BH01-0AA0
- suitable I/O card	6ES7 323-1BL00-0AA0
- suitable I/O card	CPU 313C
- suitable I/O card	CPU 313C-2PtP
Control	ABB S800 I/O
- suitable I/O card	DO810
- suitable I/O card	DO840
Control	Emerson DeltaV
- suitable I/O card	VE4002S1T1B3
- suitable I/O card	VE4002S1T2B3
- suitable I/O card	VE4002S1T2B3 Series 2
- suitable I/O card	VE4002S1T2B6
Control	GE-FANUC RX3i
- suitable I/O card	IC694MDL754
Control	MITSUBISHI MELSEC L
- suitable I/O card	LY41PT1P
- suitable I/O card	LY42PT1P

classifications

eCl@ss

eCl@ss 4.0	27250313
eCl@ss 4.1	27250313
eCl@ss 5.0	27250313
eCl@ss 5.1	27250313
eCl@ss 6.0	27242208
eCl@ss 7.0	27242208
eCl@ss 8.0	27242208

ETIM

ETIM 2.0	EC001423
ETIM 3.0	EC001423
ETIM 4.0	EC001423
ETIM 5.0	EC001423

UNSPSC

UNSPSC 6.01	30211824
UNSPSC 7.0901	39121402
UNSPSC 11	39121402
UNSPSC 12.01	39121402
UNSPSC 13.2	39121402

System connection - PLC-V8L/FLK14/OUT - 2299660

approvals

UL Recognized / cUL Recognized / UL Listed / GOST / cUL Listed / GL / UL Recognized / cUL Recognized / cULus Recognized / cULus Listed /

Approval details

UL Recognized

cUL Recognized

UL Listed

GOST

cUL Listed

GL

UL Recognized

cUL Recognized

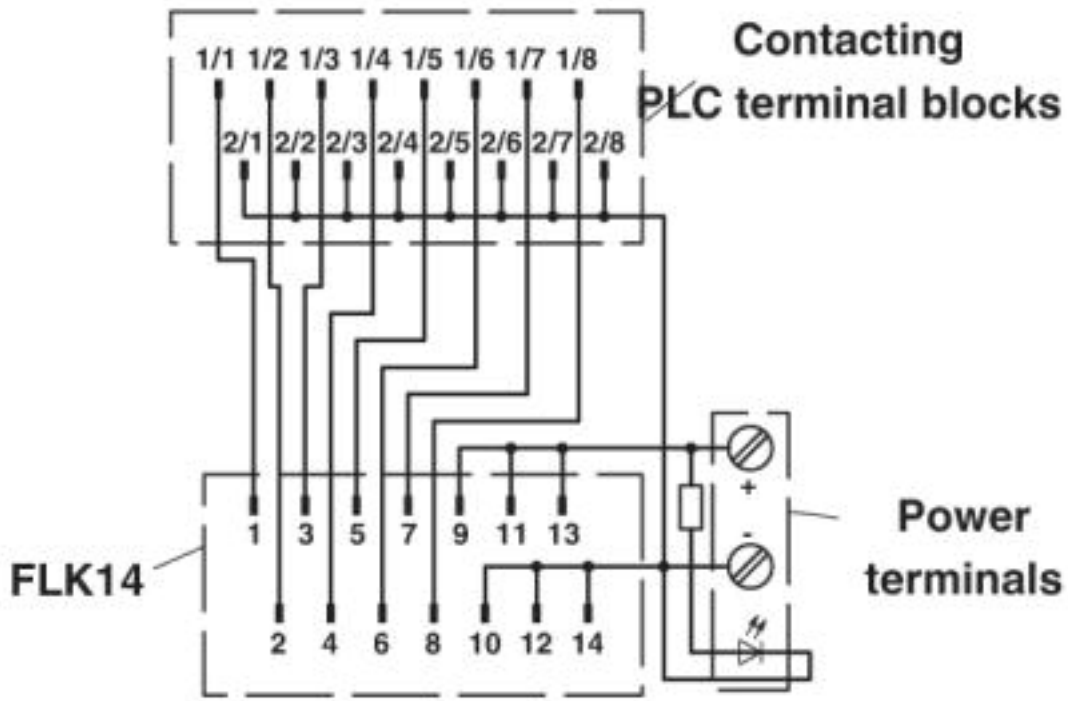
cULus Recognized

cULus Listed

System connection - PLC-V8L/FLK14/OUT - 2299660

Drawings

Circuit diagram



PLC-V8L/FLK14/OUT connection scheme

© Phoenix Contact 2013 - all rights reserved
<http://www.phoenixcontact.com>