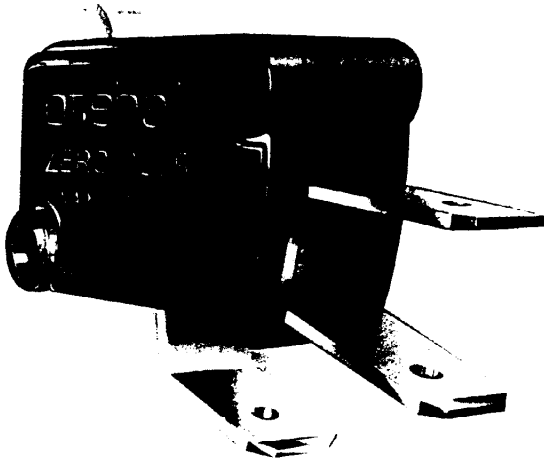


Miniature Snap Action Microswitch

380 Series



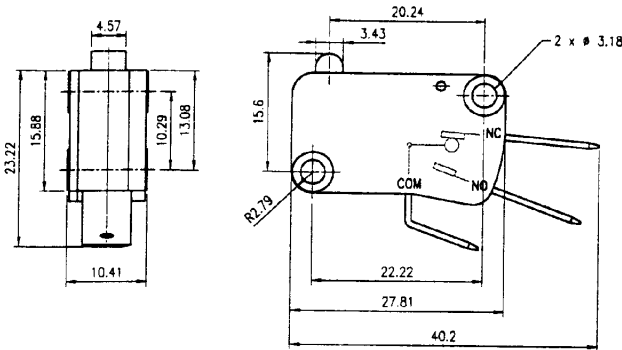
A reliable and proven range of snap action switches with leaf spring mechanism giving high contact pressure and long mechanical life.

Rated up to 15A at 250V AC in specific variants.

Special versions available:- T125°
Microwave oven

Approved by DEMKO NEMKO SEMKO
KEMA VDE IMQ BEAB to EN61058-1 and
by UL CSA to UL1054.

Specification



MECHANICAL DATA

Height at rest*	15.6
Trip point*	14.35-15
Pretravel	0.6-1.25
Movement differential	0.25 (max)
Overtravel	1.27 (min)

* Dimensions measured from lower hole centre to the top of the plunger.

Operating force (nominal)	Release force (min)
140 g	70 g
280 g	170 g

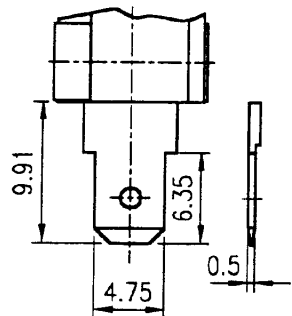
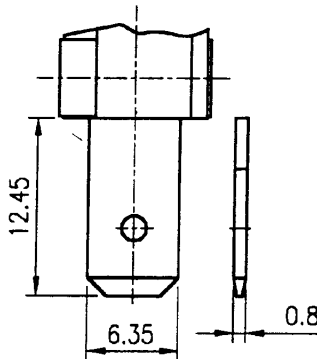
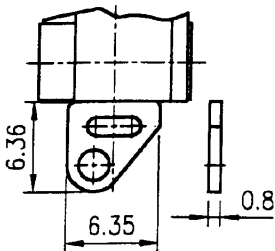
Terminals

Terminal Reference

382
solder

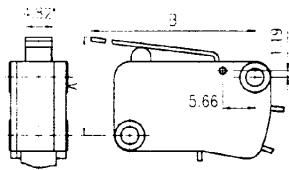
383 X
6.35 x 0.8
fast-on

385
4.75 x 0.5
fast-on



Actuators

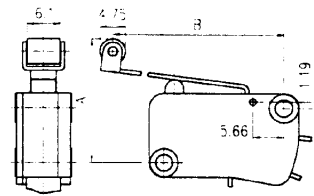
PLAIN LEVER



* 9.5 and 7 Wide levers also available - contact sales office

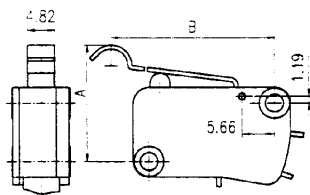
Type ZD0	Type ZD1	Type ZD2
A = 16.64	A = 18.03	A = 24.17
B = 22.67	B = 34.08	B = 84.71

SMALL ROLLER LEVER



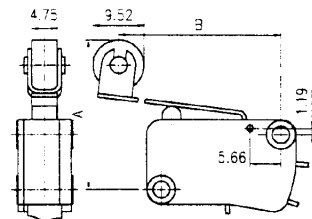
Type ZDS0	Type ZDS1
A = 21.88	A = 23.34
B = 19.84	B = 31.89

SIMULATED ROLLER LEVER



Dimensions A or B to customers requirements.
Contact Sales Office for availability.

LARGE ROLLER LEVER



Type ZDR0	Type ZDR1	Type ZDR2
A = 26.73	A = 28.12	A = 34.26
B = 18.77	B = 30.21	B = 80.86

Technical Data

APPROVALS HELD

UL (File No E91973) CSA NEMKO DEMKO
SEMKO BEAB VDE KEMA IMQ

ELECTRICAL RATING

Versions

140g Micro Gap

10(2)A 1/4 HP 125/250V AC 10E3

280g Micro Gap

15(4)A 1/2 HP 125/250V AC 25E3

Mechanical life

>10 million operations

Temperature rating

T85 °C (T125 available on request)

Insulation resistance

>1250V

Tracking resistance

PTI KB 250

MATERIALS

Case lid

Glass-filled flame retardant Nylon 6.6

Plunger

Glass-filled flame retardant Nylon 6.6

Terminals

Brass (silver plated for solder)

Rocker arm

Brass

Moving contact

Phosphor bronze

Spring

Phosphor bronze

Contacts

Fine silver

Actuator/roller

Stainless steel/Acetal

Dummy contacts

Glass-filled flame retardant Nylon 6.6

For 2-terminal normally open/normally closed switching, specify NO or NC within part number (see below)

Ordering Information

Example - 380g switch with 6.35 fast-on terminals. Normally open contacts and roller lever.

383 / 25 / 10 NO ZDS0

