

Display module - EMG 45-LED 14S/24 - 2952334

Please be informed that the data shown in this PDF Document is generated from our Online Catalog. Please find the complete data in the user's documentation. Our General Terms of Use for Downloads are valid (<http://download.phoenixcontact.com>)



Indicator module, with 14 red LEDs and common return line, input voltage 24 V DC

The illustration shows version EMG 45-LED 14S/ 5



Key commercial data

package_quantity	5
GTIN	4017918084431

Technical data

Dimensions

Width	45 mm
Height	75 mm
Depth	47.5 mm

Ambient conditions

Ambient temperature (operation)	-20 °C ... 45 °C
Ambient temperature (storage/transport)	-40 °C ... 60 °C

General

Input voltage	24 V DC
Current required per light indicator	approx. 3 mA
Status display	14 LEDs
Mounting position	Any
Assembly instructions	In rows with zero spacing

Connection data

Conductor cross section solid min.	0.2 mm ²
Conductor cross section solid max.	4 mm ²
Conductor cross section stranded min.	0.2 mm ²
Conductor cross section stranded max.	2.5 mm ²
Conductor cross section AWG/kcmil min.	24
Conductor cross section AWG/kcmil max	12
Stripping length	8 mm

Display module - EMG 45-LED 14S/24 - 2952334

Technical data

Connection data

Screw thread	M3
Connection method	Screw connection

classifications

eCl@ss

eCl@ss 4.0	27210301
eCl@ss 4.1	27210301
eCl@ss 5.0	27210301
eCl@ss 5.1	27210301
eCl@ss 6.0	27210301
eCl@ss 7.0	27210301
eCl@ss 8.0	27210301

ETIM

ETIM 2.0	EC001432
ETIM 3.0	EC001597
ETIM 4.0	EC001597
ETIM 5.0	EC001767


UNSPSC

UNSPSC 6.01	30211506
UNSPSC 7.0901	39121008
UNSPSC 11	39121008
UNSPSC 12.01	39121008
UNSPSC 13.2	39121008

approvals

GOST /

Approval details



Display module - EMG 45-LED 14S/24 - 2952334

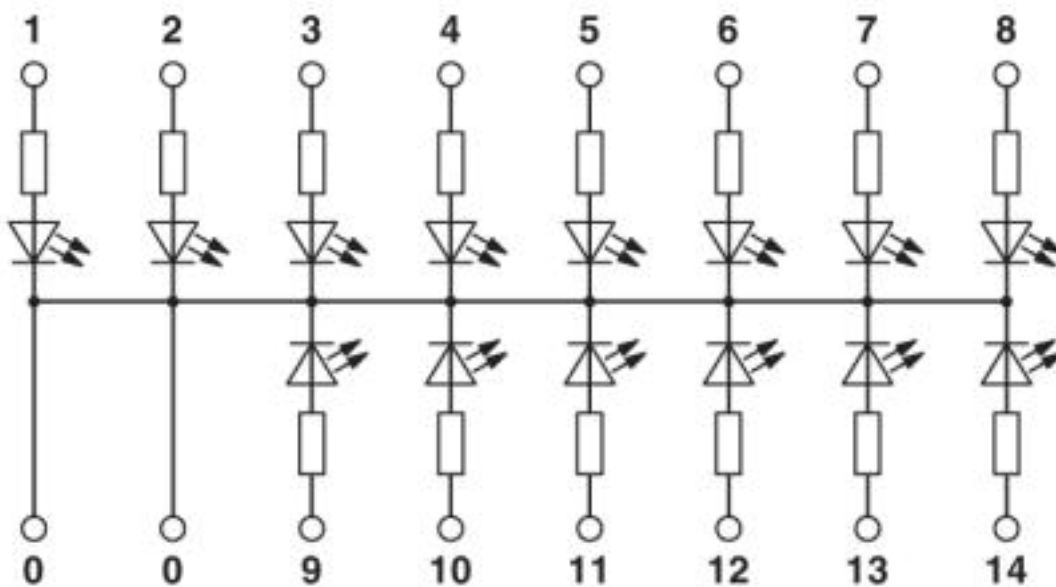
accessories

EMG-GKS 12 - 2947035



Drawings

Circuit diagram



© Phoenix Contact 2013 - all rights reserved
<http://www.phoenixcontact.com>