

# System connection - PLC-V8L/FLK14/OUT/M - 2304306

Please be informed that the data shown in this PDF Document is generated from our Online Catalog. Please find the complete data in the user's documentation. Our General Terms of Use for Downloads are valid (<http://download.phoenixcontact.com>)



V8L-OUTPUT adapter for eight 14 mm PLC interfaces (2 PDTs, etc./see "Supplementary Products"). 14-pos. flat-ribbon cable connection for the PLC system cabling, control logic: Minus switching



## Key commercial data

package_quantity	1
GTIN	4017918932916

## Technical data

### Dimensions

Width	112.3 mm
Height	100 mm
Depth	94 mm

### Ambient conditions

Ambient temperature (operation)	-40 °C ... 70 °C
Ambient temperature (storage/transport)	-40 °C ... 70 °C

### General

Nominal voltage $U_N$	24 V DC $\pm$ 25%
Max. current carrying capacity per branch	1 A (per signal path)
Max. total current of voltage supply	3 A
Number of positions	14
Status display	Green LED
Test voltage	500 V (50 Hz, 1 min.)
Test voltage contact/contact	0.8 kV AC
Mounting position	Any
Assembly instructions	In rows with zero spacing
Standards/regulations	IEC 60664
Standards/regulations	DIN EN 50178
Standards/regulations	IEC 62103
Pollution degree	2
Surge voltage category	III

# System connection - PLC-V8L/FLK14/OUT/M - 2304306

## Technical data

### General

<b>Rated surge voltage</b>	0.8 kV
----------------------------	--------

### Connection data for connection 1

<b>Connection name</b>	Power supply
<b>Number of connections</b>	1
<b>Connection method</b>	Screw connection
<b>Conductor cross section solid min.</b>	0.2 mm <sup>2</sup>
<b>Conductor cross section solid max.</b>	4 mm <sup>2</sup>
<b>Conductor cross section stranded min.</b>	0.2 mm <sup>2</sup>
<b>Conductor cross section stranded max.</b>	2.5 mm <sup>2</sup>
<b>Conductor cross section AWG/kcmil min.</b>	24
<b>Conductor cross section AWG/kcmil max</b>	12
<b>Stripping length</b>	8 mm
<b>Screw thread</b>	M3

### Connection data for connection 2

<b>Connection name</b>	Signal level
<b>Number of connections</b>	1
<b>Connection method</b>	IDC/FLK pin strip (2.54 mm)
<b>Number of positions</b>	14

### Supported controller

<b>Control</b>	ABB S800 I/O
- suitable I/O card	DO814
<b>Control</b>	MITSUBISHI MELSEC Q
- suitable I/O card	QX42
- suitable I/O card	QX42-S1
- suitable I/O card	QH42P
<b>Control</b>	MITSUBISHI MELSEC L
- suitable I/O card	LY41NT1P
- suitable I/O card	LY42NT1P

## classifications

### eCl@ss

<b>eCl@ss 4.0</b>	27250313
<b>eCl@ss 4.1</b>	27250313
<b>eCl@ss 5.0</b>	27250313
<b>eCl@ss 5.1</b>	27250313
<b>eCl@ss 6.0</b>	27242208
<b>eCl@ss 7.0</b>	27242208
<b>eCl@ss 8.0</b>	27242208

### ETIM

# System connection - PLC-V8L/FLK14/OUT/M - 2304306

## classifications

### ETIM

ETIM 2.0	EC001423
ETIM 3.0	EC001423
ETIM 4.0	EC001423
ETIM 5.0	EC001423

### UNSPSC

UNSPSC 6.01	30211824
UNSPSC 7.0901	39121402
UNSPSC 11	39121402
UNSPSC 12.01	39121402
UNSPSC 13.2	39121402

## approvals

UL Recognized / cUL Recognized / UL Listed / cUL Listed / GL / UL Recognized / cUL Recognized / cULus Recognized / cULus Listed /

### Approval details

UL Recognized

cUL Recognized

UL Listed

cUL Listed

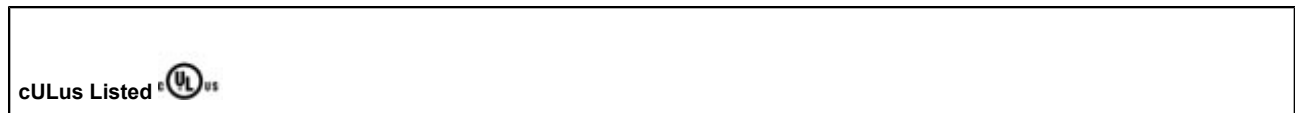
GL

UL Recognized

cUL Recognized

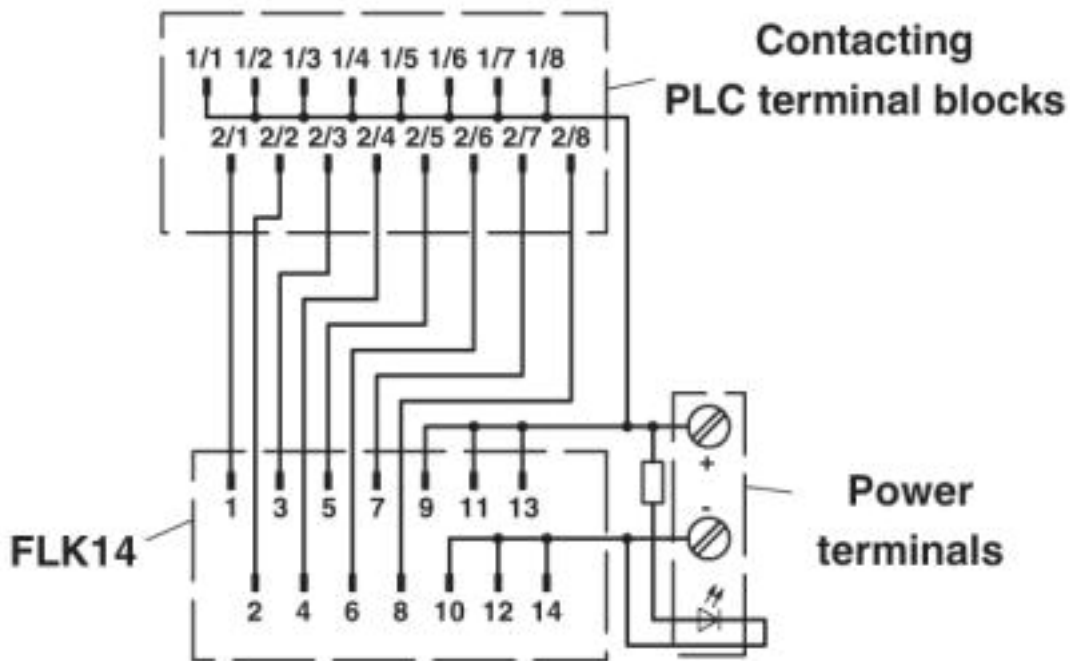
# System connection - PLC-V8L/FLK14/OUT/M - 2304306

approvals



## Drawings

Circuit diagram



PLC-V8L/FLK14/OUT/M connection scheme

© Phoenix Contact 2013 - all rights reserved  
<http://www.phoenixcontact.com>