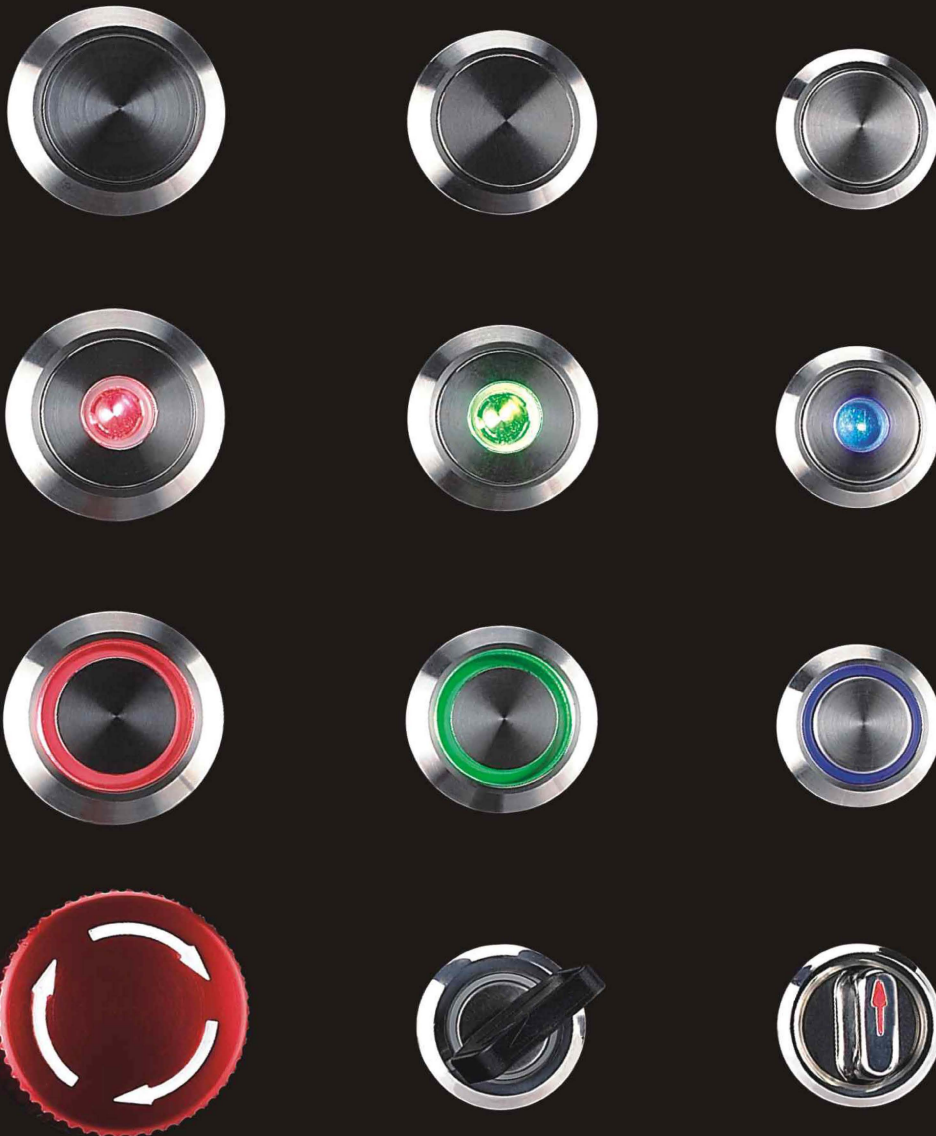


Datasheet

Item no. 704315/ 704331/ 704347/ 704364/ 704380/ 704395/ 704409/
704424/ 704438/ 704452/ 704467

V1_0717_01_en

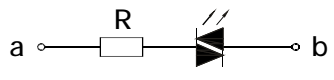


Datasheet

Item no. 704315/ 704331/ 704347/ 704364/ 704380/ 704395/ 704409/
704424/ 704438/ 704452/ 704467

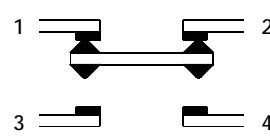
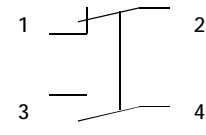
V1_0717_01_en

Lamp Ratings >>

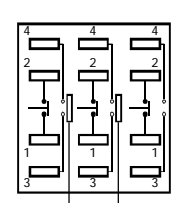
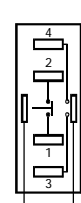
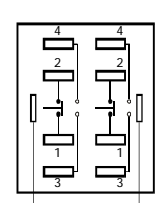
Lamp Type	LED lamp(AC/DC)			Lamp Circuit Diagram	 <p>Using AC/DC LED lamp, the terminals have no difference of anode and cathode: Using inner resistance, do not need connect outer resistance.</p>
Rated Voltage	AC/DC6V	AC/DC12V	AC/DC110V		
	AC/DC24V	AC/DC36V	AC/DC220V		
Rated Current	About 15mA		About 3mA		
LED Color	R G Y O B W				
Life	40000 hours(Reference)				

Note: DC LED and other voltage can be made to order.

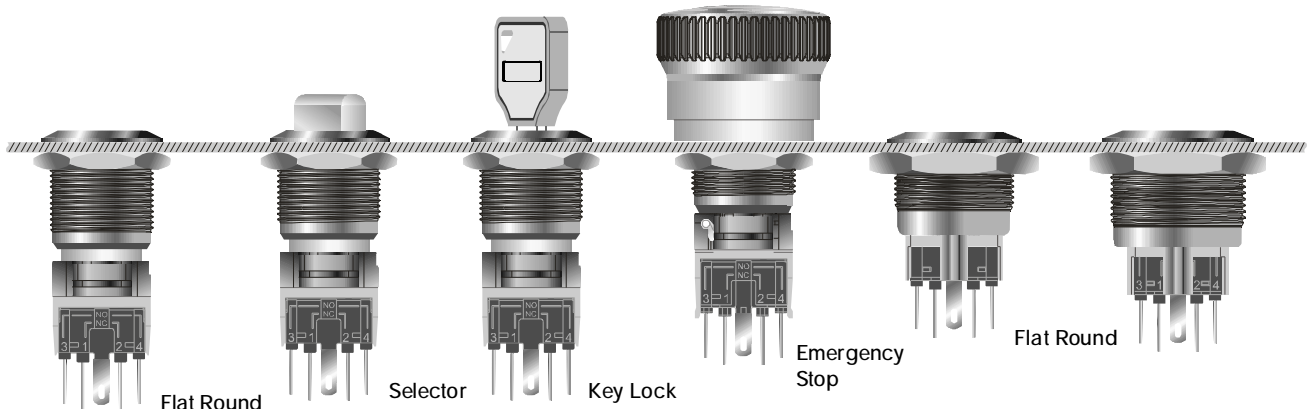
Switching Operation >>

Type	Za
Diagram	
Sign	
Explanation	Using four terminals, double- break and fast-motion changeover contact (except 1272988/1272989-WE)

Terminal Description >>

701844 701856 701830 704467 704315 704331 704395 704409 701906 701918 701930 704347 704364 704364 704380 704424 704438 704452	1272988 1272989	1272990 1272992 1272993 1272995
		
LED Pin	LED Pin	LED Pin
1,2,3,4 are one set;1,2 are normal closed(NC);3,4 are normal opened(NO). The standard LED terminals have no difference of anode and cathode. The lamp and switch are relatively independent and can use switch or peripheral circuit to control the lamp state.		

Installation Effect >>



Datasheet

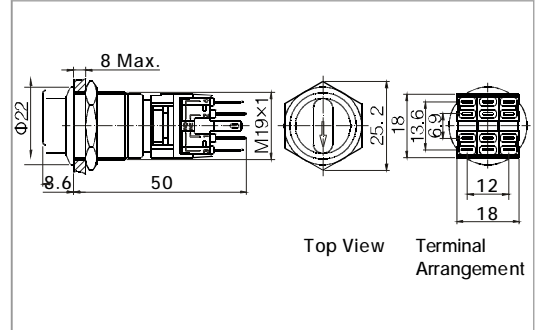
Item no. 704315/ 704331/ 704347/ 704364/ 704380/ 704395/
704409/ 704424/ 704438/ 704452/ 704467

V1_0717_01_en

Metal selector switch



- ⊙ Φ 19mm Diameter
- ⊙ Combined Structure
- ⊙ Switch Rating: 5A/250VAC
- ⊙ Contact Configuration: 1NO1NC/
2NO2NC/3NO3NC
- ⊙ Operation Position: Two Position
/Three Position
- ⊙ Operation Type: Maintain/
Half Return/Return
- ⊙ The Crust Material: Stainless Steel
- ⊙ IP Degree: Ip40, IK02



704315 : Metal selector switch, Two position maintain, 250V,5A Φ 19mm, stainless steel crust

704331 : Metal selector switch, Two position return, 250V,5A Φ 19mm, stainless steel crust

704347 : Metal selector switch, Three position maintain, 250V,5A Φ 19mm, stainless steel crust

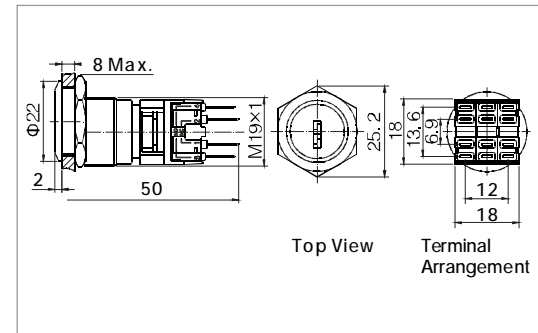
704364 : Metal selector switch, Three position half return, 250V,5A Φ 19mm, stainless steel crust

704380 : Metal selector switch, Three position return, 250V,5A Φ 19mm, stainless steel crust

Metal keylock switch



- ⊙ Φ 19mm Diameter
- ⊙ Combined Structure
- ⊙ Switch Rating: 5A/250VAC
- ⊙ Contact Configuration: 1NO1NC/
2NO2NC/3NO3NC
- ⊙ Operation Position: Two Position/
Three Position
- ⊙ Operation Type: Maintain/
Half Return/Return
- ⊙ The Crust Material: Stainless Steel
- ⊙ IP Degree: IP40, IK02



704395 : Key lock switch, Two position maintain, 250V,5A Φ 19mm, stainless steel crust

704409 : Key lock switch, Two position return, 250V,5A Φ 19mm, stainless steel crust

704424 : Key lock switch, Three position maintain, 250V,5A Φ 19mm, stainless steel crust

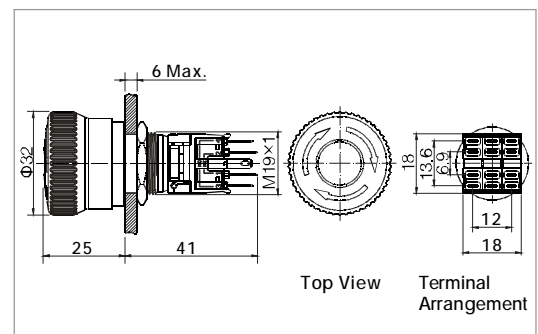
704438 : Key lock switch, Three position half return, 250V,5A Φ 19mm, stainless steel crust

704452 : Key lock switch, Three position return, 250V,5A Φ 19mm, stainless steel crust

Metal emergency stop switch



- ⊙ Φ 19mm Diameter
- ⊙ Combined Structure
- ⊙ Switch Rating: 5A/250VAC
- ⊙ Contact Configuration: 1NO1NC/
2NO2NC/3NO3NC
- ⊙ Operation Type: Push-lock Turn-reset
- ⊙ The Crust Material: Stainless Steel
- ⊙ IP Degree: IP65, IK09



704467 : Metal Emergency button stop switch, 250V,5A Φ 19mm, Aluminum crust

Datasheet

Item no. 704315/ 704331/ 704347/ 704364/ 704380/ 704395/ 704409/
704424/ 704438/ 704452/ 704467

V1_0717_01_en

Item no.	704315 704331 704347 704364 704364 704380	704395 704409 704424 704438 704452	704467
The Front Shape	Selector	Key Lock	Mushroom
Terminal Type	Pin Terminal(2.8×0.5mm)	Pin Terminal(2.8×0.5mm)	Pin Terminal(2.8×0.5mm)
Switching	Za(double-break fast-motion changeover contact)	Za(double-break fast-motion changeover contact)	Za(double-break fast-motion changeover contact)
Max. Switch Rating	Ith:5A Ui:250VAC	Ith:5A Ui:250VAC	Ith:5A Ui:250VAC
Contact Resistance	≤50mΩ	≤50mΩ	≤50mΩ
Insulation Resistance	≥1000MΩ	≥1000MΩ	≥1000MΩ
Dielectric Intensity	2000VAC	2000VAC	2000VAC
Operating Temp	-20°C ~ +55°C	-20°C ~ +55°C	-20°C ~ +55°C
Mechanical Life	500,000 cycles	500,000 cycles	200,000 cycles
Electrical Life	50,000 cycles	50,000 cycles	50,000 cycles
Panel Thickness	1 ~ 8mm	1 ~ 8mm	1 ~ 6mm
Torque	5 ~ 14Nm	5 ~ 14Nm	5 ~ 14Nm
Operation Pressure	---	---	5.8 ~ 8.3N
Operation Travel	---	---	About 3mm
IP Degree	IP40,IK02	IP40,IK02	IP65,IK09
Material	Contact	Silver Alloy	Silver Alloy
	Button	Stainless Steel	Stainless Steel
	Body	Stainless Steel	Aluminum Alloy
	Base	PA	PA
	RoHS	Yes	Yes

This is a publication by Conrad Electronic SE, Klaus-Conrad-Str. 1, D-92240 Hirschau (www.conrad.com).

All rights including translation reserved. Reproduction by any method, e.g. photocopy, microfilming, or the capture in electronic data processing systems require the prior written approval by the editor. Reprinting, also in part, is prohibited. This publication represents the technical status at the time of printing.

© Copyright 2017 by Conrad Electronic SE.