

Optocoupler module - UMK- 1 OM-R/AMS - 2983002

Please be informed that the data shown in this PDF Document is generated from our Online Catalog. Please find the complete data in the user's documentation. Our General Terms of Use for Downloads are valid (<http://download.phoenixcontact.com>)



The UMK-1 OM-R/AMS is the wiring interface and coupling level in one unit: Diagnostic and status indicator, polarity and surge protection at the input, assembly option with solid-state relay up to 350 V DC/1 A or 480 V AC/5 A

Product Features

- Status indicator
- Status indicatorProtection against pol. reversal in input
- Surge protection in input
- Can be fitted with solid-state relays for loads up to 350 V DC/1 A or 480 V AC/5 A



Key commercial data

package_quantity	1
GTIN	4046356149501

Technical data

Dimensions

Width	22.5 mm
Height	77 mm
Depth	72 mm

Ambient conditions

Ambient temperature (operation)	-20 °C ... 60 °C
Ambient temperature (storage/transport)	-20 °C ... 70 °C

Input data

Nominal input voltage U_N	24 V DC
Typical input current at U_N	2 mA (without plug-in module)
Type of protection	Protection against polarity reversal
Protective circuit/component	Polarity protection diode
Status display/channel	Yellow LED

Output data

Contact type	1 N/O contact (double contact)
Maximum switching voltage	230 V AC
Maximum switching voltage	550 V AC

Optocoupler module - UMK- 1 OM-R/AMS - 2983002

Technical data

Output data

Minimum switching voltage	24 V AC
Limiting continuous current	5 A
Error detection (line break / short-circuit)	no

General

With components	Yes
Standards/regulations	DIN EN 50178
Operating mode	100% operating factor
Mounting position	Any
Assembly instructions	In rows with zero spacing
Pollution degree	2
Surge voltage category	III
Housing insulation material	PVC, side panel PA non-reinforced,
Color	green

Connection data for connection 1

Connection name	Input
Number of connections	1
Connection method	Screw connection
Number of positions	2
Conductor cross section stranded min.	0.2 mm ²
Conductor cross section stranded max.	2.5 mm ²
Conductor cross section solid min.	0.2 mm ²
Conductor cross section solid max.	4 mm ²
Conductor cross section AWG/kcmil min.	24
Conductor cross section AWG/kcmil max	12
Screw thread	M3
Stripping length	8 mm

classifications

eCl@ss

eCl@ss 4.0	27371102
eCl@ss 4.1	27371102
eCl@ss 5.0	27371001
eCl@ss 5.1	27371001
eCl@ss 6.0	27371001
eCl@ss 7.0	27371001
eCl@ss 8.0	27371001

ETIM

ETIM 2.0	EC001504
ETIM 3.0	EC001504

Optocoupler module - UMK- 1 OM-R/AMS - 2983002

classifications

ETIM

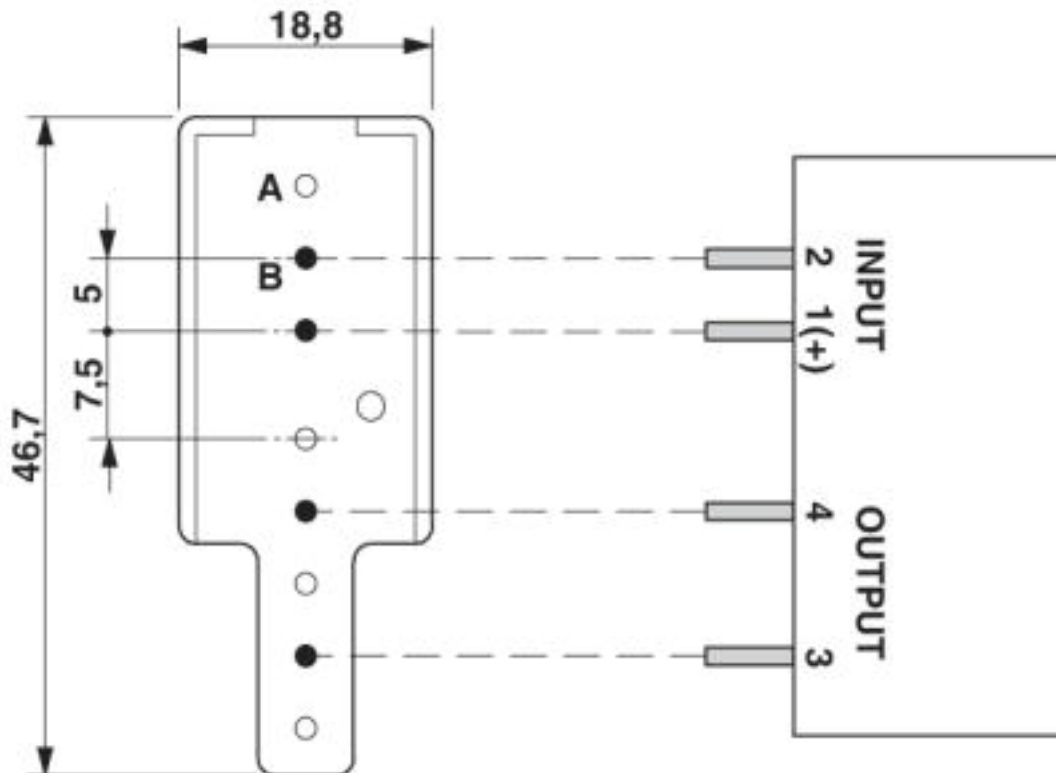
ETIM 4.0	EC001504
ETIM 5.0	EC001504

UNSPSC

UNSPSC 6.01	30211916
UNSPSC 7.0901	39121542
UNSPSC 11	39121542
UNSPSC 12.01	39121542
UNSPSC 13.2	39121542

Drawings

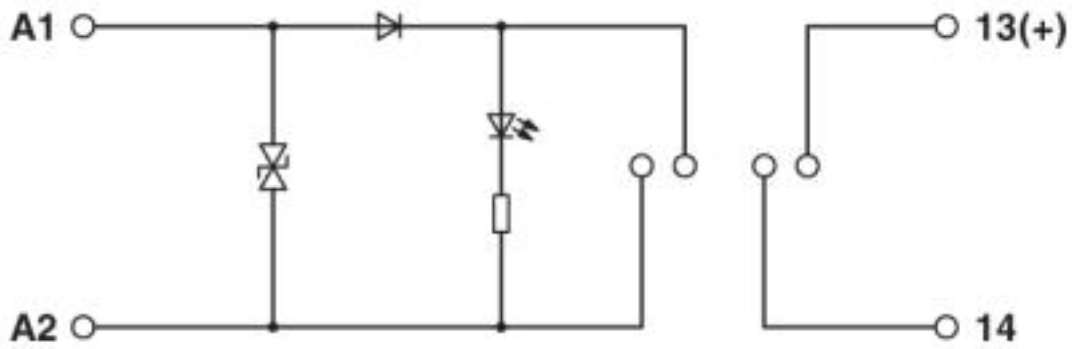
Dimensioned drawing



A = without metal
B = with metal

Optocoupler module - UMK- 1 OM-R/AMS - 2983002

Circuit diagram



© Phoenix Contact 2013 - all rights reserved
<http://www.phoenixcontact.com>