

Solid-state relay module - EMG 17-OV-230AC/240AC/3 - 2954280

Please be informed that the data shown in this PDF Document is generated from our Online Catalog. Please find the complete data in the user's documentation. Our General Terms of Use for Downloads are valid (<http://download.phoenixcontact.com>)



Power solid-state relay, with LED and protective circuit in input and output circuits, input: 230 V AC, output: 48 - 280 V AC/max. 3 A

The illustration shows version EMG 17-OV, with AC voltage output, max. 3 A

Product Features

- EMG-17-OV, short-circuit-proof with indicator LED
- RC protective circuit
- Protective circuit in input and output
- Zero voltage switch
- Electrical isolation
- Status indicator



Key commercial data

| | |
|------------------|---------------|
| package_quantity | 10 |
| GTIN | 4017918084943 |

Technical data

Dimensions

| | |
|--------|---------|
| Width | 17.5 mm |
| Height | 75 mm |
| Depth | 102 mm |

Ambient conditions

| | |
|---|------------------|
| Ambient temperature (operation) | -20 °C ... 60 °C |
| Ambient temperature (storage/transport) | -20 °C ... 70 °C |
| Degree of protection | IP20 |

Input data

| | |
|--|-------------|
| Nominal input voltage U_N | 230 V AC |
| Input voltage range in reference to U_N | 0.8 ... 1.2 |
| Switching threshold "0" signal in reference to U_N | ≤ 0.4 |
| Switching threshold "1" signal in reference to U_N | ≥ 0.8 |

Solid-state relay module - EMG 17-OV-230AC/240AC/3 - 2954280

Technical data

Input data

| | |
|--------------------------------|--------------------------------------|
| Typical input current at U_N | 3 mA |
| Typical response time | 10 ms |
| Typical turn-off time | 10 ms |
| Operating voltage display | Yellow LED |
| Type of protection | Protection against polarity reversal |
| Type of protection | Surge protection |
| Protective circuit/component | Polarity protection diode |
| Protective circuit/component | Varistor |
| Transmission frequency | 10 Hz |

Output data

| | |
|--|---|
| Output nominal voltage | 240 V AC |
| Output voltage range | 48 V AC ... 280 V AC (50 Hz ... 60 Hz) |
| Limiting continuous current | 3 A (see derating curve) |
| Min. load current | 50 mA |
| Leakage current | 4 mA (in off state) |
| Surge current | 160 A (t = 10 ms) |
| Max. load value | 128 A ² s (I ² x t where t = 10 ms) |
| Peak offstate voltage | 600 V (Periodic peak reverse voltage) |
| Voltage drop at max. limiting continuous current | ≤ 1 V |
| Output circuit | 2-wire, floating |
| Type of protection | RC element |
| Type of protection | Surge protection |
| Protective circuit/component | RC element |
| Protective circuit/component | Varistor |

Connection data

| | |
|--|---------------------|
| Connection method | Screw connection |
| Stripping length | 8 mm |
| Screw thread | M3 |
| Conductor cross section solid min. | 0.2 mm ² |
| Conductor cross section solid max. | 4 mm ² |
| Conductor cross section stranded min. | 0.2 mm ² |
| Conductor cross section stranded max. | 2.5 mm ² |
| Conductor cross section AWG/kcmil min. | 24 |
| Conductor cross section AWG/kcmil max | 12 |

General

| | |
|---------------------------|---------------------------|
| Test voltage input/output | 3.5 kV AC |
| Test voltage input/output | 3.5 kV AC |
| Mounting position | Horizontal |
| Assembly instructions | In rows with zero spacing |
| Operating mode | 100% operating factor |

Solid-state relay module - EMG 17-OV-230AC/240AC/3 - 2954280

Technical data

General

| | |
|--|------------------|
| Inflammability class according to UL 94 | V0 |
| Standards/regulations | IEC 60664 |
| Standards/regulations | EN 50178 |
| Standards/regulations | IEC 62103 |
| Rated surge voltage / insulation | Basic insulation |
| Pollution degree | 2 |
| Surge voltage category | III |

classifications

eCl@ss

| | |
|-------------------|----------|
| eCl@ss 4.0 | 27371102 |
| eCl@ss 4.1 | 27371102 |
| eCl@ss 5.0 | 27371001 |
| eCl@ss 5.1 | 27371001 |
| eCl@ss 6.0 | 27371001 |
| eCl@ss 7.0 | 27371001 |
| eCl@ss 8.0 | 27371001 |

ETIM

| | |
|-----------------|----------|
| ETIM 2.0 | EC001504 |
| ETIM 3.0 | EC001504 |
| ETIM 4.0 | EC001504 |
| ETIM 5.0 | EC001504 |

UNSPSC

| | |
|----------------------|----------|
| UNSPSC 6.01 | 30211916 |
| UNSPSC 7.0901 | 39121542 |
| UNSPSC 11 | 39121542 |
| UNSPSC 12.01 | 39121542 |
| UNSPSC 13.2 | 39121542 |

approvals

GOST /

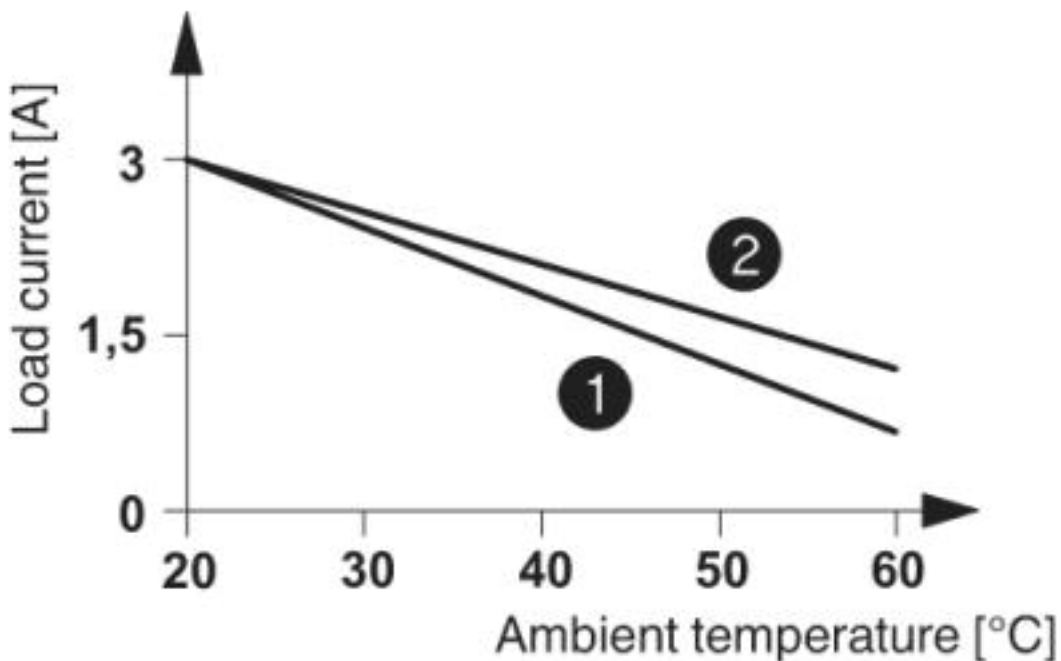
Approval details



Drawings

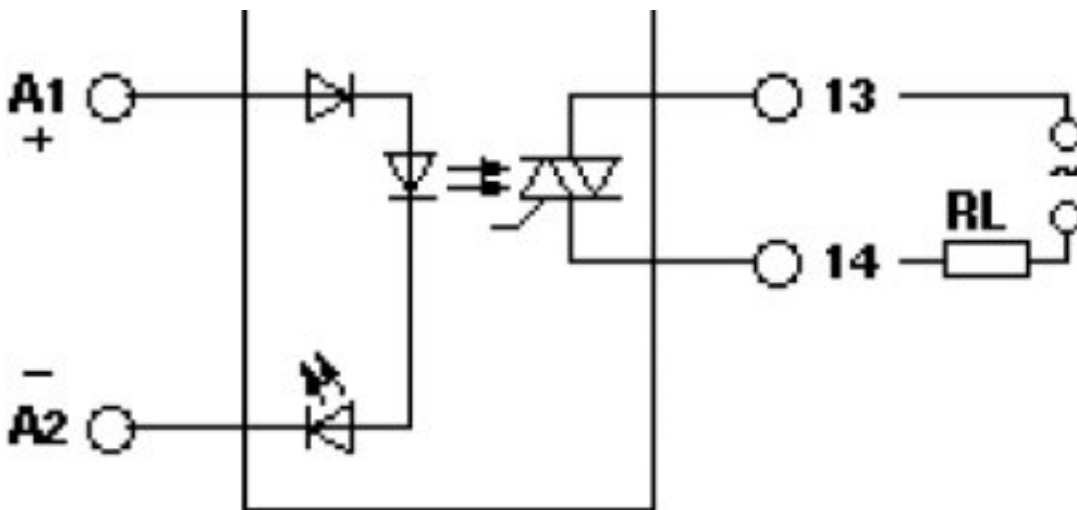
Solid-state relay module - EMG 17-OV-230AC/240AC/3 - 2954280

Diagram



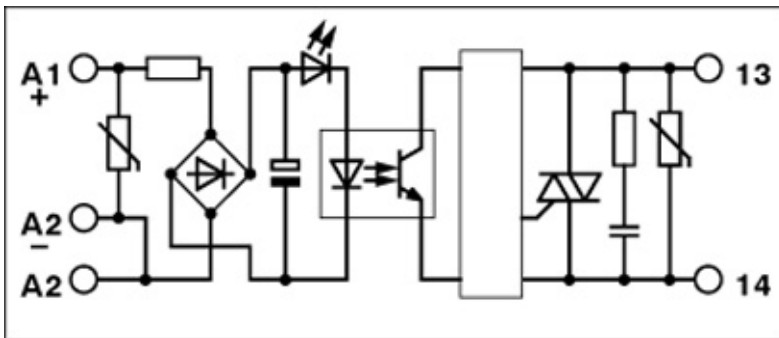
- 1 In rows with zero spacing
- 2 stand-alone device

Circuit diagram



Solid-state relay module - EMG 17-OV-230AC/240AC/3 - 2954280

Circuit diagram



© Phoenix Contact 2013 - all rights reserved
<http://www.phoenixcontact.com>