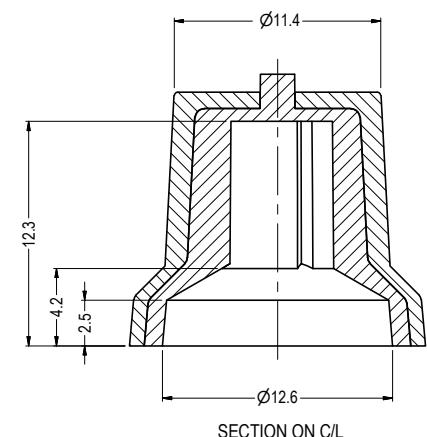
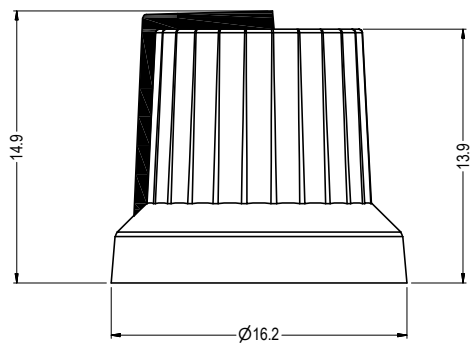
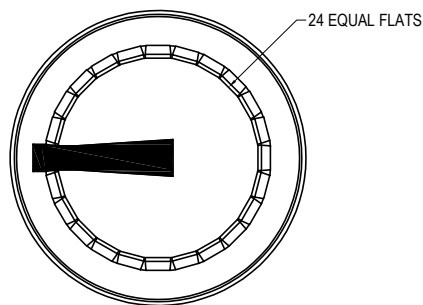
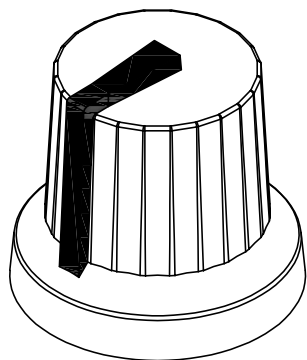


ISS.	AMEND	DATE
1	ISSUED	15/02/18
2	6mm USAD P/N ERR	01/10/19



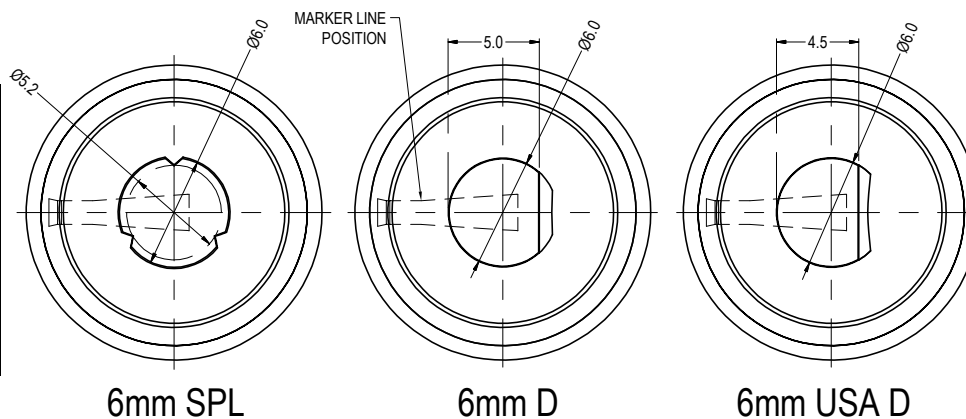
NOTES:-

- PART TO BE MADE TO 3D DATA SUPPLIED.
- PART TO BE FREE FROM SURFACE DEFECTS.
- COLOURS:
OVERMOULD: BLACK.
MARKER LINE / INNER MOULDING: AS TABLE BELOW.
- OVERMOULDING : TPE.
INNER MOULDING: POLYPROPYLENE.

6mm SPLINE	
PART NUMBER	M/L COLOUR
CL170841CR	WHITE
CL170842CR	RED
CL170843CR	ORANGE
CL170844CR	GREY
CL170845CR	YELLOW
CL170846CR	BLUE
CL170847CR	GREEN

6mm D	
PART NUMBER	M/L COLOUR
CL170844BR	GREY
CL170849BR	WHITE
CL170850BR	YELLOW
CL170851BR	BLUE
CL170852BR	GREEN
CL170853BR	RED
CL170854BR	ORANGE

6mm USA D	
PART NUMBER	M/L COLOUR
CL170844FR	GREY
CL170841FR	WHITE
CL170850FR	YELLOW
CL170851FR	BLUE
CL170852FR	GREEN
CL170853FR	RED
CL170854FR	ORANGE



1st DRAWN: 04/10/1993

RoHS
COMPLIANT

TOLERANCE
 NO DEC. PLACE ± 0.50
 1 DEC. PLACE ± 0.20
 2 DEC. PLACE ± 0.10
 HOLE Ø ± 0.10
 ANGLES ± 1/2°
 UNLESS OTHERWISE STATED

DO NOT SCALE

Cliff Electronic Components Ltd.

76 Holmethorpe Avenue, Holmethorpe Industrial Estate,
 Redhill, Surrey, RH1 2PF, England, UK
 Tel: 01737-771375 Fax: 01737-766012 Website: www.cliffuk.co.uk

DIMENSIONS IN MILLIMETERS UNLESS OTHERWISE STATED. WORK TO DIMENSIONS. REMOVE ALL BURRS. IF IN DOUBT ASK.

3rd ANGLE PROJECTION:

MATERIAL: POLYPROPYLENE OVERMOULDED WITH SOFT-TOUCH TPE

TITLE: KNOB K87MBR

FINISH: LIGHT SPARK

DRAWN: NJB

APPROVED: DPJ

DRWG. No. **CL170841**

FORM: A4DRWGH