

Datasheet

Item no. 704809/ 704824/ 704837/ 704850/ 704862/ 704876/ 704889/ 704902/
704916/ 704932/ 704963

V1_0717_01_en

Dip Switches

Product Overview

- ⊙ Using excellent heat and chemical resistance engineering plastic.
- ⊙ Using standard gold-plated contact points ensure reliability and longer life of the switch.
- ⊙ Have the advantage of self-cleaning when the switch in ON-OFF state.
- ⊙ Using widely in manual programproducts, like data processing, communications, remote controls and burglar alarmsystem.

Soldering Information

- ⊙ Soldering iron under 30W and under 350°C for 3 seconds max or 270°C for 5 seconds max.
- ⊙ Wave crest soldering:
240°C within 20seconds max, .Keep all actuators in "off" position during soldering and cleaning process.

Specifications


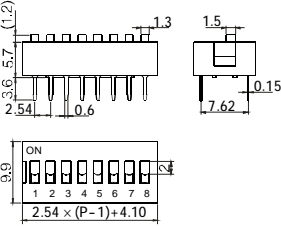
- ⊙ Contact capacity
 - OFF: 25mA, 24VDC
 - ON: 100mA, 50VDC
- ⊙ Contact resistance
 - Initial: 50mΩ 24VDC /100mA
 - After life test: 100mΩ typical, 24VDC /100mA
 - Insulation resistance: $\geq 100M\Omega$, 500VDC
 - Dielectr ic strength: 500VDC RMS min.
 - Operating force: 1000g Max
 - Operation Life expectancy
- ⊙ Mechanical: 3000 operations
 - Electrical: 2000 operations
 - Temperature range operating/storage: -25°C~70°C

Datasheet

Item no. 704809/ 704824/ 704837/ 704850/ 704862/ 704876/ 704889/ 704902/
704916/ 704932/ 704963

V1_0717_01_en

Dip Switches

	Slide Type
Hiding Type	
Shape % Dimensions	

Note: The above P = 2 ; If the P=1 the length is 3.75mm

- 704809 : Slide-type, Hiding Type, Off/On, 1 Position, measured weight 0.2 g, measured dimension: 9.9 x 3.7 x 5.4 mm
- 704824 : Slide-type, Hiding Type, Off/On, 2 Position, measured weight 0.5 g, measured dimension 9.9 x 6.7 x 5.4 mm
- 704837 : Slide-type, Hiding Type, Off/On, 3 Position, measured weight 0.55 g, measured dimension 9.2 x 9.9 x 5.4 mm
- 704850 : Slide-type, Hiding Type, Off/On, 4 Position, measured weight 0.7 g, measured dimension 11.8 x 9.9 x 5.5 mm
- 704862 : Slide-type, Hiding Type, Off/On, 5 position, measured weight 0.9 g, measured dimension 14.4 x 9.9 x 5.4 mm
- 704876 : Slide-type, Hiding Type, Off/On, 6 position, measured weight 1 g, measured dimension 16.9 x 10 x 5.4 mm
- 704889 : Slide-type, Hiding Type, Off/On, 7 position, measured weight: 1.2 g, measured dimension: 19.4 x 9.9 x 5.5 mm
- 704902 : Slide-type, Hiding Type, Off/On, 8 position, measured weight: 1.35 g, measured dimension: 22 x 9.9 x 5.5 mm
- 704916 : Slide-type, Hiding Type, Off/On, 9 position, measured weight: 1.5 g, measured dimension: 24.5 x 9.9 x 5.5 mm
- 704932 : Slide-type, Hiding Type, Off/On, 10 position, measured weight: 1.7 g, measured dimension: 27 x 9.9 x 5.5 mm
- 704963 : Slide-type, Hiding Type, Off/On, 12 position, measured weight: 2 g, measured dimension: 32 x 9.9 x 5.5 mm

This is a publication by Conrad Electronic SE, Klaus-Conrad-Str. 1, D-92240 Hirschau (www.conrad.com).

All rights including translation reserved. Reproduction by any method, e.g. photocopy, microfilming, or the capture in electronic data processing systems require the prior written approval by the editor. Reprinting, also in part, is prohibited. This publication represents the technical status at the time of printing.

© Copyright 2017 by Conrad Electronic SE.