

CLIFF

K85 TRANSLUCENT KNOB (FOR USE WITH ILLUMINATED ENCODERS)



Knob Details

Standard shaft 6mm knurled /18T

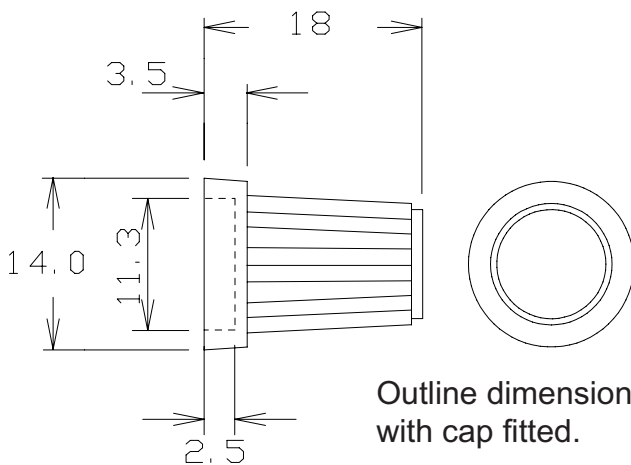
CL170976 - Knob K85 Translucent 6mm SP

CL1779761 - Translucent Cap

CL1779762 - Translucent Cap with black marker line

CL1779763 - Water Clear Cap

Other cap colours are available, either plain or with a marker line.
Enquire to sales.



Outline dimensions in mm. of knob
with cap fitted.

For further information, contact: sales@cliffuk.co.uk

Cliff Electronic Components Limited,
76 Holmethorpe Avenue, Holmethorpe Ind. Estate,
Redhill, Surrey RH1 2PF U.K.
Tel: +44 (0)1737 771375 Fax: +44 (0)1737 766012



Visit us online at:

www.cliffuk.co.uk