


FOOT SWITCHES

PRODUCT NUMBER 2410.0401



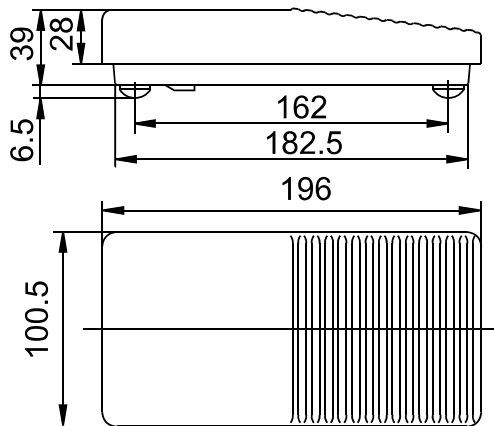
TECHNICAL DATA

Product number	2410.0401
Actuator color / printing	
Product family	Foot switches
Actuation type	direct
Weight	310.000 g
ROHS conform	yes
Switching function	Changeover switch (SPDT momentary)
Material fixed contact	Ag
Number of poles	1 - pole
connections	Socket terminal, M3 3 terminals
Mechanical life endurance	30E4
Rating IEC	6 (2.5) A 250 V AC 5E4
Proof tracking	250 PTI
Insulation spacing	acc. to EN 61058 for reinforced or double insulation
Actuators and additional actuators	foot plate: PA, black, similar RAL 7024
Housing description	housing: PA, black, 4 rubber feet, opening for hanging up
Contact material	Ag
Contact distance	< 3 mm
Contact type	friction jump contact
Operating force	31 ±5 N
Approval marks	ENEC 10
Miscellaneous	with switch 1005.1407
Degree of pollution	3
Stock version	●

PRODUCT IMAGE



DRAWINGS



Technical changes reserved. Dimensions are not binding.
Detailed specifications available on request.

Marquardt GmbH · Schloss-Straße 16 · 78604 Rietheim-Weilheim · Germany
Phone: +49 (0) 7424 / 99-0 · Fax: +49 (0) 7424 / 99-2399 · www.marquardt.com · marquardt@marquardt.de