

Date: 4 March 2008

LED (Light Emitting Diode) L5,5K24...

Technical Data

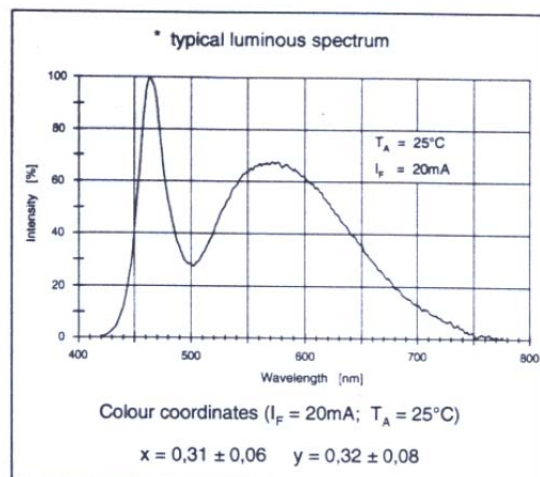
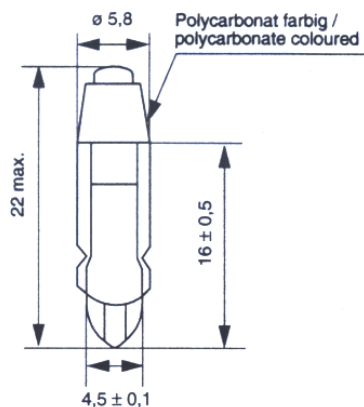
Type ref.:	L5,5K24... (UW, UR, UG, UB,UY)
Description:	ultra-bright single-chip LED for T5,5K socket
Rated voltage:	24V AC/DC
Rated current:	7/14 mA, AC/DC
Voltage tolerance:	+10%
Reverse voltage, max:	80 V
Storage temperature:	-25°C ... +80°C
Ambient temperature:	-20°C ... +60°C

Remark:

The electrical and optical data were measured at an ambient temperature of 25°C.

All the specified types include a protective diode connected in series to the resistor and the LED. This allows them to be used also at AC.

Due to production tolerances on LED's minor variations in colour (colour temperature) may be caused. Hence, it cannot be excluded that the LED colour of one single batch are perceived differently.



- subject to alterations -