

X5

Snap-action Microswitches

Ultraminiature



X5



Characteristics	<ul style="list-style-type: none"> ■ small size ■ low current ■ PCB mounting
Rating	250 VAC, 1.5 A
Dimensions (mm)	13 × 6.5 × 6
Actuator	<ul style="list-style-type: none"> ■ plunger ■ plain lever
Approvals	UL, CSA

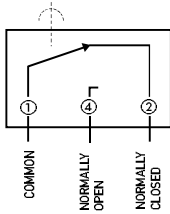
Preferred Range

Ordering Reference	Actuating Force (N)	Sealing	Operating Position (mm)	Terminal	Circuit	Actuator	Contacts	Electrical Rating
X5G303K1AN	1.5	IP40	5.5	PCB	CO	Plunger	Ag	250 VAC, 1.5 A, 125 VAC, 3 A
X5G303K1ANJ1	0.5	IP40	7.2	PCB	CO	Lever	Ag	250 VAC, 1.5 A, 125 VAC, 3 A

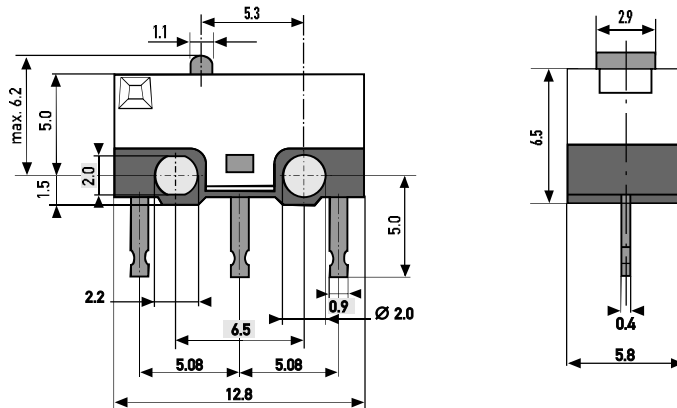
Specifications

Housing	Thermoplastic
Plunger	Thermoplastic
Mechanism	Snap-action system with steel tension spring functions
Contacts	Silver
Terminals	PCB
Temperature range °C	75° C
Mechanical life	5–10 ⁵ cycles minimum
Protection	IP40 (enclosure)
Mounting	PCB, Side mounting
Actuators	Plunger, lever
Contact carrier	Brass

Circuit diagram



Dimensions

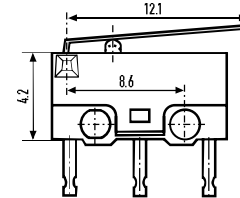
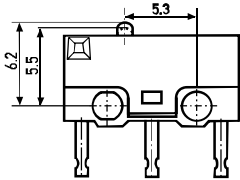


Recommended maximum electrical ratings

Voltage (VAC)	Resistive load (A)
125	3
250	1,5

Operating Characteristics

Actuator	Reference	Actuating Force Maximum		Release Force Minimum		Free Position Maximum		Operating Position		Movement Differential		Full Overtravel Position	
		(N)	(ozf)	(N)	(ozf)	(mm)	(in)	(mm)	(in)	(mm)	(in)	(mm)	(in)
Plunger	X5G3	1,5	5,35	0,2	0,72	6,2	0,24	5,5 ± 0,3	0,22 ± 0,01	0,2	0,008	5	0,2
J-Lever	X5G3...J1	0,5	1,80	0,05	0,18	9,5	0,37	7,2 ± 1,5	0,28 ± 0,06	0,8	0,032	5,3	0,21



Width of lever 3,6 mm/0.14 in

Type coding key for standard products

Basic type	X5	Example: X5 G 3 03 K 1 A J0											
Operating force	G	Standard	Fs max. 150 cN										
Circuit diagram	3	Change-over											
Terminals	03 10 11	PCB, vertical PCB, Formed to the left = view from lever PCB, Formed to the right = view from lever											
Body/ moving system	K M N P	Material lid: base:	Thermoplastic PC black PA 66 GF 25 copperbrown	moving system A A E E									
Contacts material	1 8	Ag / Ag Gold Microprofile (Crossbar-contact)											
UL/cUL/CSA ratings	A N	1.5 A, 250 VAC approved 3.0 A, 125 VAC approved No approved											
Type of actuator	J0 to J9 L0 to L9 M0 to M9	No symbol, without lever Straight lever Cam follower Formed lever											