

# F4

## Snap-action Microswitches

Ultraminiature



### F4



Characteristics	<ul style="list-style-type: none"> <li>■ small size</li> <li>■ long mechanical and electrical life</li> <li>■ solder</li> <li>■ 2 mm faston</li> <li>■ PCB terminals</li> </ul>
Rating	250 VAC, 5 A
Dimensions (mm)	12.8 × 10 × 5
Actuator	<ul style="list-style-type: none"> <li>■ Plunger</li> <li>■ plain lever</li> <li>■ simulated roller lever/cam follower</li> </ul>
Approvals	UL, CSA

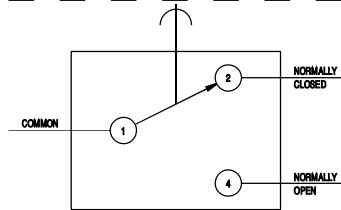
### Preferred Range

Ordering Reference	Actuating Force (N) (ozf)		Sealing	Operating pos. (mm) (in)		Terminal	Circuit	Actuator	Contacts	Electrical rating
F4T7UL	1.4	5.00	IP40	8.1	0.32	Solder	C0	Plunger	Ag	Up to 250 VAC, 5 A
F4T7GPUL	1.4	5.00	IP40	8.1	0.32	Solder	C0	Plunger	Gold plate	Up to 250 VAC, 5 A
F4T7Y1UL	0.6	2.20	IP40	8.2	0.32	Solder	C0	Plain lever	Ag	Up to 250 VAC, 5 A
F4T7Y1GPUL	0.6	2.20	IP40	8.2	0.32	Solder	C0	Plain lever	Gold plate	Up to 250 VAC, 5 A
F4T7YCUL	0.7	2.50	IP40	10.3	0.41	Solder	C0	Simulated roller	Ag	Up to 250 VAC, 5 A
F4T7YCGPUL	0.7	2.50	IP40	10.3	0.41	Solder	C0	Simulated roller	Gold plate	Up to 250 VAC, 5 A

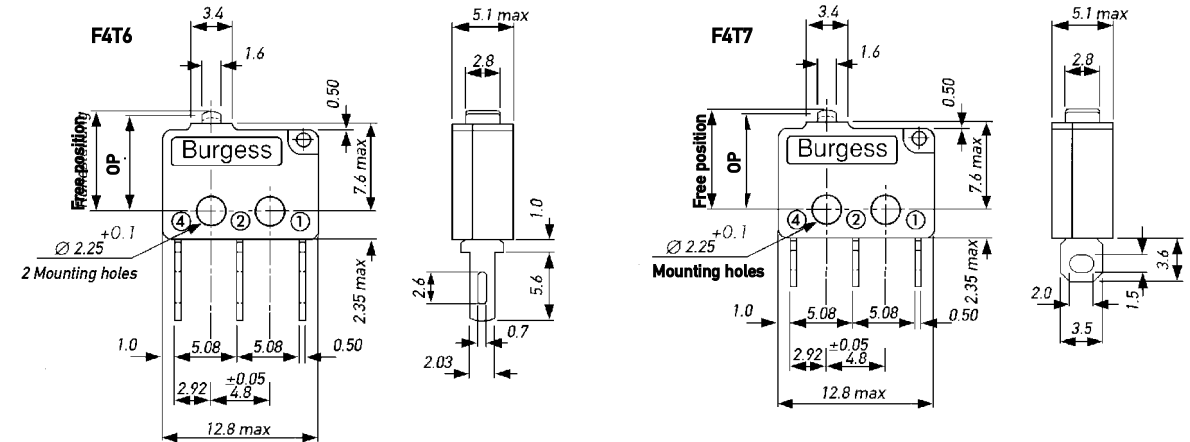
**Specifications**

<b>Housing</b>	Glass fibre reinforced nylon
<b>Plunger</b>	Nylon
<b>Mechanism</b>	Snap-action, single pole
<b>Functions</b>	Change-over, Normally open, Normally closed
<b>Contacts</b>	Fixed, Moving – Ag or Gold plate on Ag
<b>Terminals</b>	2.0 mm (0.08 in) faston and solder - brass, gold flashed
<b>Temperature range °C</b>	-40°C to +85°C
<b>Mechanical life</b>	10 <sup>7</sup> cycles minimum (impact free actuation)
<b>Protection</b>	IP 40 (enclosure)
<b>Mounting</b>	Side mounting
<b>Actuators</b>	Plain lever; simulated roller (cam follower) lever
<b>Accessories</b>	Lug mounting frame, insulating sheet, spring-leaf actuator

Circuit diagram



Dimensions



**Recommended maximum electrical ratings**

Voltage (max)	Load (A)	Approval
250 VAC	5 (0.75 pf)	UL 1054/CSA 22.2 No. 55 - 6,000 operations
125 VAC	5 (0.75 pf)	UL 1054/CSA 22.2 No. 55 - 6,000 operations
0 - 15 VDC	5	General rating - 50,000 operations
15 - 30 VDC	3	General rating - 50,000 operations

# F4

## Operating Characteristics

Actuator	Reference	Actuating Force		Release Force		Free Position		Operating Position		Movement Differential		Over travel		
		Maximum (N)	(ozf)	Minimum (N)	(ozf)	Maximum (mm)	(in)	(mm)	(in)	Maximum (mm)	(in)			
Plunger	F4T6	1,4	5,00	0,25	0,90	8,8	0,35	8,1	+0,3 -0,2	0,32	+0,01 -0,008	0,13	0,005	*
	F4T7													
Y1-Lever	F4T6Y1	0,6	2,20	0,07	0,25	10,0	0,39	8,2	+1,0 -0,7	0,32	+0,04 -0,03	0,70	0,030	*
	F4T7Y1													
Width of lever 3.0 mm/0.12 in														
YC-Lever	F4T6YC	0,7	2,50	0,09	0,32	11,7	0,46	10,3	+0,8 -0,55	0,41	+0,03 -0,02	0,45	0,020	*
	F4T7YC													
Width of lever 3.0 mm/0.12 in														

Operating characteristics are specified from the mounting holes.

\* Plunger can be depressed flush with housing. The housing should not be used as an end stop.

## Type coding key for standard products

			Example: F4	T6	C2	Y1	GP	UL
Basic type	F4							
Terminals	T6	Faston	2.03 × 0.5 × 6.6 long					
	T7	Solder	3.50 × 0.5 × 3.6 long					
	T8	PCB	0.8 × 0.5 × 4.0 long					
Circuit		No symbol, change-over						
	C2	Normally closed						
	C4	Normally open						
Actuators		No symbol, without lever						
	Y1	Plain lever 21.0 mm						
	YC	Cam follower lever 16.9 mm						
Contacts Material		No symbol, Ag						
	GP	Gold plate on Ag (GP)						
Approvals		No symbol, without approval						
	UL	UL and CSA approval						
Special Features	/ □ □ □ □	Saia-Burgess specialise in customer specific solutions. Additional product variants are available or can be provided. If your requirements cannot be satisfied from the options listed, please contact <a href="http://www.saia-burgess.com">www.saia-burgess.com</a> or your local SB outlet.						