

multimec® 3F/4F + 1S + 2S

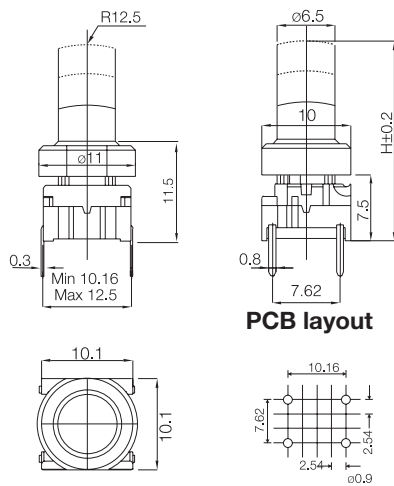
Technical Data

- through-hole or SMD
- 50mA/24VDC
- single pole/momentary
- 10.000.000 operations life time
- IP67 sealing
- temperature range:
 - low temp: -40/+115°C
 - high temp: -40/+160°C

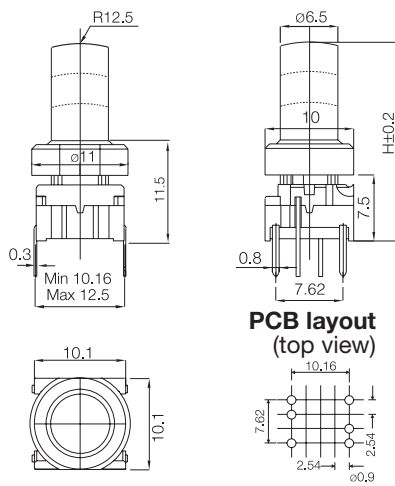
Keycaps 1S11 shown on this page can also be used on illumec™ switch 4F



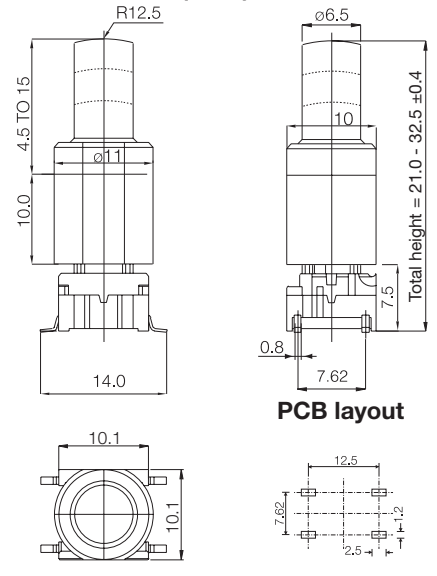
Dimensions (through-hole) 3F



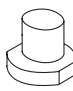
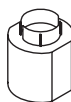
Dimensions (w/LED) 3F



Dimensions (SMD) 3F



How to order

3 F	<input type="checkbox"/>	<input type="checkbox"/>	+	1 S 0 9 - . . .	+	2 S 0 9 - . . .
Switch	Mounting	L 6 low temp. H 9 high temp.		Cap black	Height	Extender black Height
	T through-hole S surface mount				16.0 19.0 22.5	 05.0 (Optional) 06.0 Adds 5-10mm to total height 07.0 08.0 09.0 10.0

3 F	T	<input type="checkbox"/>	+	<input type="checkbox"/>	+	1 S 1 1 - . . .
Switch	Mounting	L 6 low temp. H 9 high temp.		LED		Cap Transparent Height
	T through-hole			00 blue 20 green 40 yellow 60 white 80 red 2040 green/yellow 8020 red/green 8040 red/yellow		16.0 19.0 22.5

Customised Heights:

3F+1S is available in any height from 12.0 to 24 mm.
 3F+1S+2S is available in any height from 17.0 to 34 mm.
 Min. height for 1S11 is 16.0 and for 1S09 min height is 12.0 mm.
 Min. order qty. for custom heights is 2.000 pcs.
 For heights less than 12.0 mm, please refer to 3E switch range.

Ordering example: 3FTL640 + 1S11-19.0

For updates of products and/or changes of specifications please see www.mec.dk