

# multimec<sup>®</sup> 3F/4F + 1S + 2S

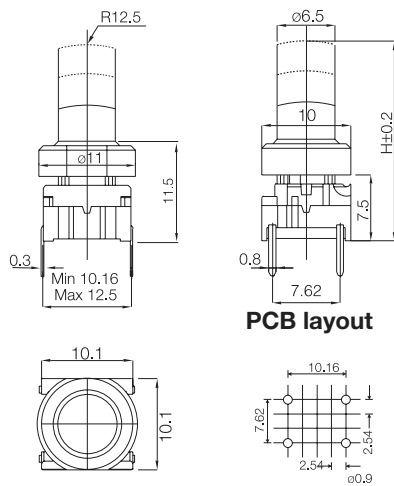
## Technical Data

- through-hole or SMD
- 50mA/24VDC
- single pole/momentary
- 10.000.000 operations life time
- IP67 sealing
- temperature range:
  - low temp: -40/+115°C
  - high temp: -40/+160°C

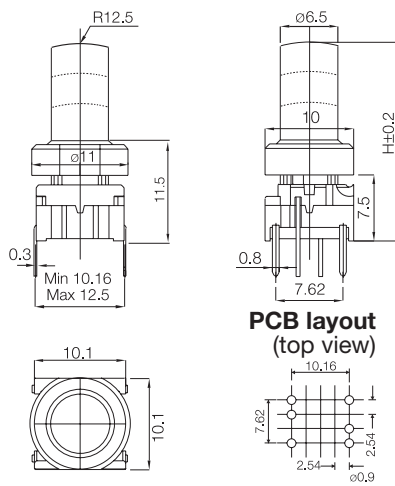
Keycaps 1S11 shown on this page can also be used on illumec™ switch 4F



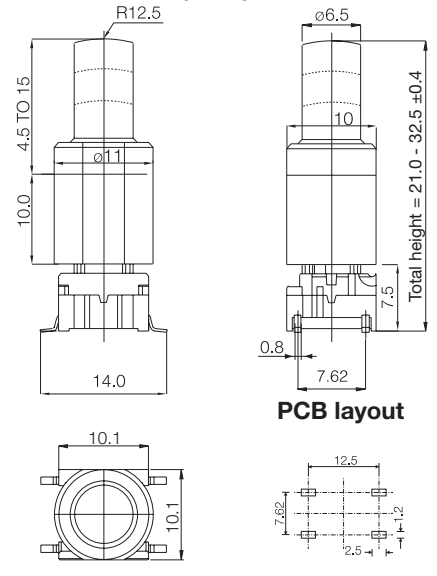
### Dimensions (through-hole) 3F



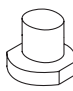
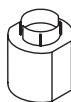
### Dimensions (w/LED) 3F



### Dimensions (SMD) 3F



## How to order

<b>3 F</b>	<input type="checkbox"/>	<input type="checkbox"/>	+	<b>1 S 0 9 - . . . . .</b>	+	<b>2 S 0 9 - . . . . .</b>
<b>Switch</b>	<b>Mounting</b>	<b>L 6</b> low temp.		<b>Cap black</b>	<b>Height</b>	<b>Extender black</b>
	<b>T</b> through-hole	<b>H 9</b> high temp.			<b>16.0</b>	
	<b>S</b> surface mount				<b>19.0</b>	<b>05.0 (Optional)</b>
					<b>22.5</b>	<b>06.0</b> Adds 5-10mm to total height
						<b>07.0</b>
						<b>08.0</b>
						<b>09.0</b>
						<b>10.0</b>

<b>3 F</b>	<b>T</b>	<input type="checkbox"/>	+	<input type="checkbox"/>	<b>1 S 1 1 - . . . . .</b>
<b>Switch</b>	<b>Mounting</b>	<b>L 6</b> low temp.		<b>LED</b>	<b>Cap Transparent</b>
	<b>T</b> through-hole	<b>H 9</b> high temp.		<b>00</b> blue	<b>Height</b>
				<b>20</b> green	<b>16.0</b>
				<b>40</b> yellow	<b>19.0</b>
				<b>60</b> white	<b>22.5</b>
				<b>80</b> red	
				<b>2040</b> green/yellow	
				<b>8020</b> red/green	
				<b>8040</b> red/yellow	

### Customised Heights:

3F+1S is available in any height from 12.0 to 24 mm.  
 3F+1S+2S is available in any height from 17.0 to 34 mm.  
 Min. height for 1S11 is 16.0 and for 1S09 min height is 12.0 mm.  
 Min. order qty. for custom heights is 2.000 pcs.  
 For heights less than 12.0 mm, please refer to 3E switch range.

**Ordering example:** 3FTL640 + 1S11-19.0

For updates of products and/or changes of specifications please see [www.mec.dk](http://www.mec.dk)