

Datasheet

Item no. 704976/ 704989/ 705017/ 705202/ 705236/ 705262/ 705281/
705302/ 705319/

V1_0717_01_en

Dip Switches

Product Overview

- ⦿ Using excellent heat and chemical resistance engineering plastic.
- ⦿ Using standard gold-plated contact points ensure reliability and longer life of the switch.
- ⦿ Have the advantage of self-cleaning when the switch in ON-OFF state.
- ⦿ Using widely in manual programproducts, like data processing, communications, remote controls and burglar alarmsystem.

Soldering Information

- ⦿ Soldering iron under 30W and under 350°C for 3 seconds max or 270°C for 5 seconds max.
- ⦿ Wave crest soldering:
240°C within 20seconds max, .Keep all actuators in "off" position during soldering and cleaning process.

Specifications

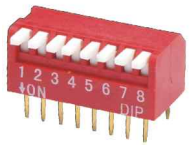
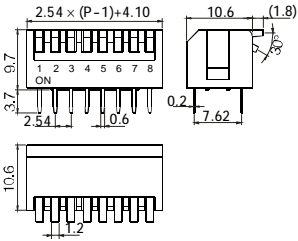
- ⦿ Contact capacity
OFF: 25mA,24VDC
ON: 100mA,50VDC
- ⦿ Contact resistance
Initial: 50mΩ 24VDC /100mA
After life test: 100mΩ typical, 24VDC /100mA
Insulation resistance: ≥100MΩ ,500VDC
Dielectr ic strength: 500VDC RMS min.
Operating force: 400g Max
Operation Life expectancy
- ⦿ Mechanical: 3000 operations
Electrical: 2000 operations
Temperature range operating/storage: -25°C~70°C

Datasheet

Item no. 704976/ 704989/ 705017/ 705202/ 705236/ 705262/ 705281/
705302/ 705319/

V1_0717_01_en

Dip Switches

Piano Type	
Extended Type	
Shape & Dimensions	

Note: The above P = 2 ; If the P=1 the length is 3.75mm

704976 : Dip switch, extended type, 1 position, measured weight: 0.2 g, measured dimension: 9.9 x 3.7 x 5.4 mm

704989 : Dip switch, extended type, 2 position, measured weight: 0.8 g, measured dimension: 6.7 x 10.6 x 9.4 mm (not included the contact pin and the switch pin)

705017 : Dip switch, extended type, 3 position, measured weight: 1 g, measured dimension: 9.2 x 10.6 x 9.5 mm (not included the contact pin and the switch pin)

705202 : Dip switch, extended type, 4 position, measured weight: 1.25 g, measured dimension: 11.8 x 10.6 x 9.4 mm (not included the contact pin and the switch pin)

705236 : Dip switch, extended type, 5 position, measured weight: 1.5 g, measured dimension: 14.2 x 10.6 x 9.4 mm (not included the contact pin and the switch pin)

705262 : Dip switch, extended type, 6 position, measured weight: 1.8 g, measured dimension: 16.8 x 10.6 x 9.4 mm (not included the contact pin and the switch pin)

705281 : Dip switch, extended type, 8 position, measured weight: 2.3 g, measured dimension: 21.9 x 10.6 x 9.4 mm (not included the contact pin and the switch pin)

705302 : Dip switch, extended type, 10 position, measured weight: 2.8 g, measured dimension: 27 x 10.6 x 27.1 mm (not included the contact pin and the switch pin)

705319 : Dip switch, extended type, 12 position, measured weight: 3.3 g, measured dimension: 14.2 x 10.6 x 32.1 mm (not included the contact pin and the switch pin)