

Relay Module - PLC-2RSC-24DC/ 1 - 2987309

Please be informed that the data shown in this PDF Document is generated from our Online Catalog. Please find the complete data in the user's documentation. Our General Terms of Use for Downloads are valid (<http://download.phoenixcontact.com>)



The PLC-2R...24DC/1 is a relay module with two integrated and independently controllable relay. An enormous channel density of just 3.1 mm width per switching channel is attained. The maximum switching current per relay is 3.5 A.

Product Features

- Two switching channels in one 6.2 mm housing
- 100% higher channel density than conventional 6.2 mm relays
- Integrated input circuit/protective circuit
- Safe isolation according to DIN EN 50178 between coil and contacts and between contacts
- Screw, spring-cage or Push-in connection



Key commercial data

package_quantity	10
GTIN	4046356451215

Technical data

Note:

Utilization restriction	EMC: class A product, see manufacturer's declaration in the download area
-------------------------	---

Dimensions

Width	6.2 mm
Height	80 mm
Depth	86 mm

Ambient conditions

Ambient temperature (operation)	-20 °C ... 60 °C
Ambient temperature (storage/transport)	-20 °C ... 60 °C

Coil side

Nominal input voltage U_N	24 V DC
Nominal input current at U_{IN}	7 mA
Typical response time	4 ms
Typical release time	6 ms
Operating voltage display	Yellow LED

Relay Module - PLC-2RSC-24DC/ 1 - 2987309

Technical data

Coil side

Protective circuit	Protection against polarity reversal Polarity protection diode
Protective circuit	Free-wheeling diode Damping diode

Contact side

Contact type	2 N/O contacts (2 relays with 1 N/O contact)
Contact material	AgNi
Maximum switching voltage	250 V AC/DC
Minimum switching voltage	24 V AC/DC
Min. switching current	5 mA
Limiting continuous current	3.5 A
Interrupting rating (ohmic load) max.	84 W (at 24 V DC)
Interrupting rating (ohmic load) max.	24 W (at 48 V DC)
Interrupting rating (ohmic load) max.	24 W (at 60 V DC)
Interrupting rating (ohmic load) max.	31 W (at 110 V DC)
Interrupting rating (ohmic load) max.	46 W (at 220 V DC)
Interrupting rating (ohmic load) max.	875 VA (for 250 V AC)

General

Test voltage relay winding/relay contact	3 kV AC (50 Hz, 1 min.)
Test voltage relay contact/relay contact	3 kV AC (50 Hz, 1 min.)
Operating mode	100% operating factor
Mechanical service life	2 x 10 ⁷ cycles
Inflammability class according to UL 94	V0
Name	Air and creepage distances between the power circuits
Standards/regulations	IEC 60664
Standards/regulations	EN 50178
Standards/regulations	IEC 62103
Rated surge voltage / insulation	6 kV, safe isolation between input and output.4 kV, basic insulation between the outputs.
Rated insulation voltage	250 V AC
Pollution degree	2
Surge voltage category	III
Mounting position	Any
Assembly instructions	In rows with zero spacing

Connection data

Connection method	Screw connection
Conductor cross section solid min.	0.14 mm ²
Conductor cross section solid max.	2.5 mm ²
Conductor cross section stranded min.	0.14 mm ²
Conductor cross section stranded max.	2.5 mm ²
Conductor cross section AWG/kcmil min.	26
Conductor cross section AWG/kcmil max	14

Relay Module - PLC-2RSC-24DC/ 1 - 2987309

Technical data

Connection data

Stripping length	8 mm
Screw thread	M3

classifications

eCl@ss

eCl@ss 4.0	27371102
eCl@ss 4.1	27371102
eCl@ss 5.0	27371001
eCl@ss 5.1	27371001
eCl@ss 6.0	27371001
eCl@ss 7.0	27371001
eCl@ss 8.0	27371001

ETIM

ETIM 2.0	EC000196
ETIM 3.0	EC000196
ETIM 4.0	EC000196
ETIM 5.0	EC000196

UNSPSC

UNSPSC 6.01	30211916
UNSPSC 7.0901	39121515
UNSPSC 11	39121515
UNSPSC 12.01	39121515
UNSPSC 13.2	39121515

accessories

Mounting rail

NS 35/ 7,5 V2A UNPERF 2000MM - 0801377



NS 35/ 7,5 PERF 2000MM - 0801733



Relay Module - PLC-2RSC-24DC/ 1 - 2987309

accessories

NS 35/ 7,5 CU UNPERF 2000MM - 0801762



NS 35/15 UNPERF 2000MM - 1201714



NS 35/15 CU UNPERF 2000MM - 1201895



NS 35/15-2,3 UNPERF 2000MM - 1201798



NS 35/15 AL UNPERF 2000MM - 1201756



Relay Module - PLC-2RSC-24DC/ 1 - 2987309

accessories

NS 35/15 PERF 2000MM - 1201730



NS 35/ 7,5 UNPERF 2000MM - 0801681



Partition plate

PLC-ATP BK - 2966841



Power module

PLC-ESK GY - 2966508



Screwdriver tools

SZF 1-0,6X3,5 - 1204517



Relay Module - PLC-2RSC-24DC/ 1 - 2987309

accessories

Bridge

FBST 500-PLC RD - 2966786



FBST 500-PLC BU - 2966692



FBST 500-PLC GY - 2966838



FBST 6-PLC RD - 2966236



FBST 6-PLC BU - 2966812



Relay Module - PLC-2RSC-24DC/ 1 - 2987309

accessories

FBST 6-PLC GY - 2966825



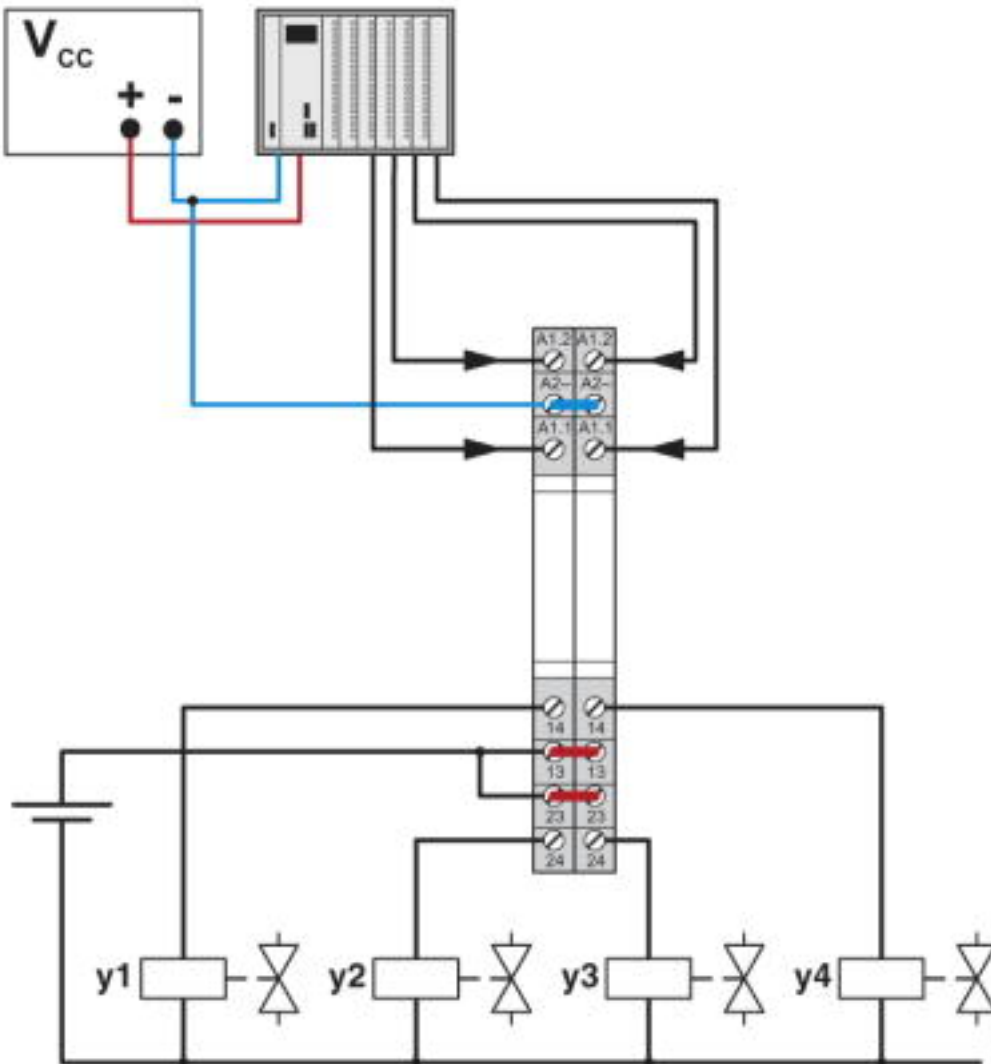
FBST 8-PLC GY - 2967688



Drawings

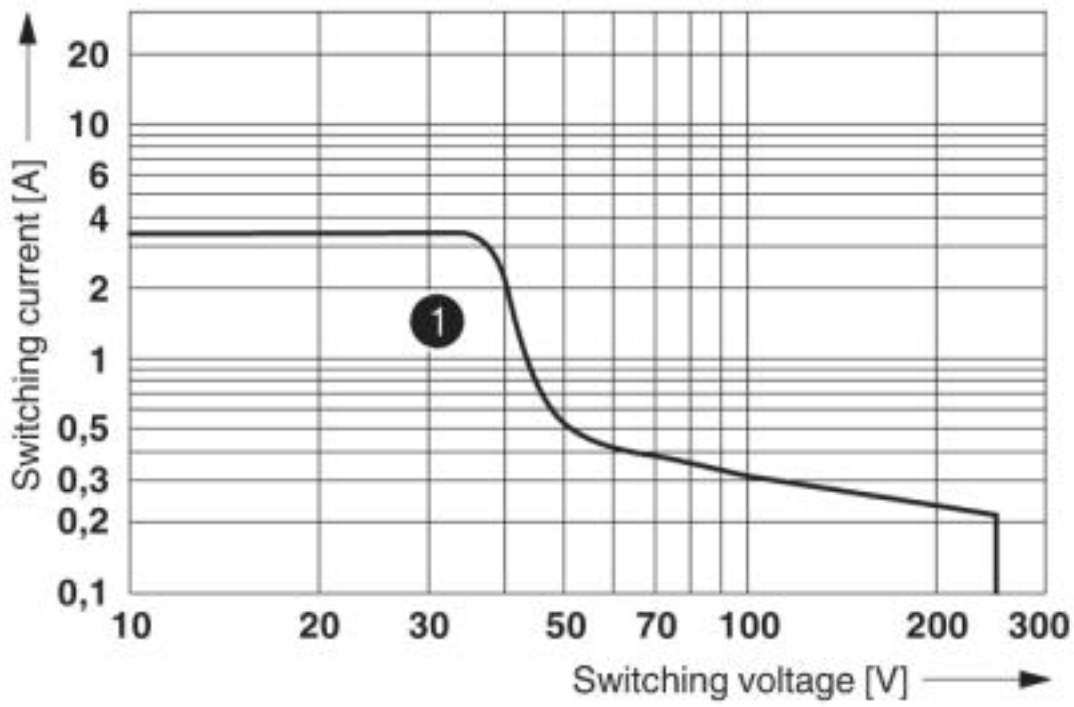
Relay Module - PLC-2RSC-24DC/ 1 - 2987309

Application drawing



Relay Module - PLC-2RSC-24DC/ 1 - 2987309

Diagram

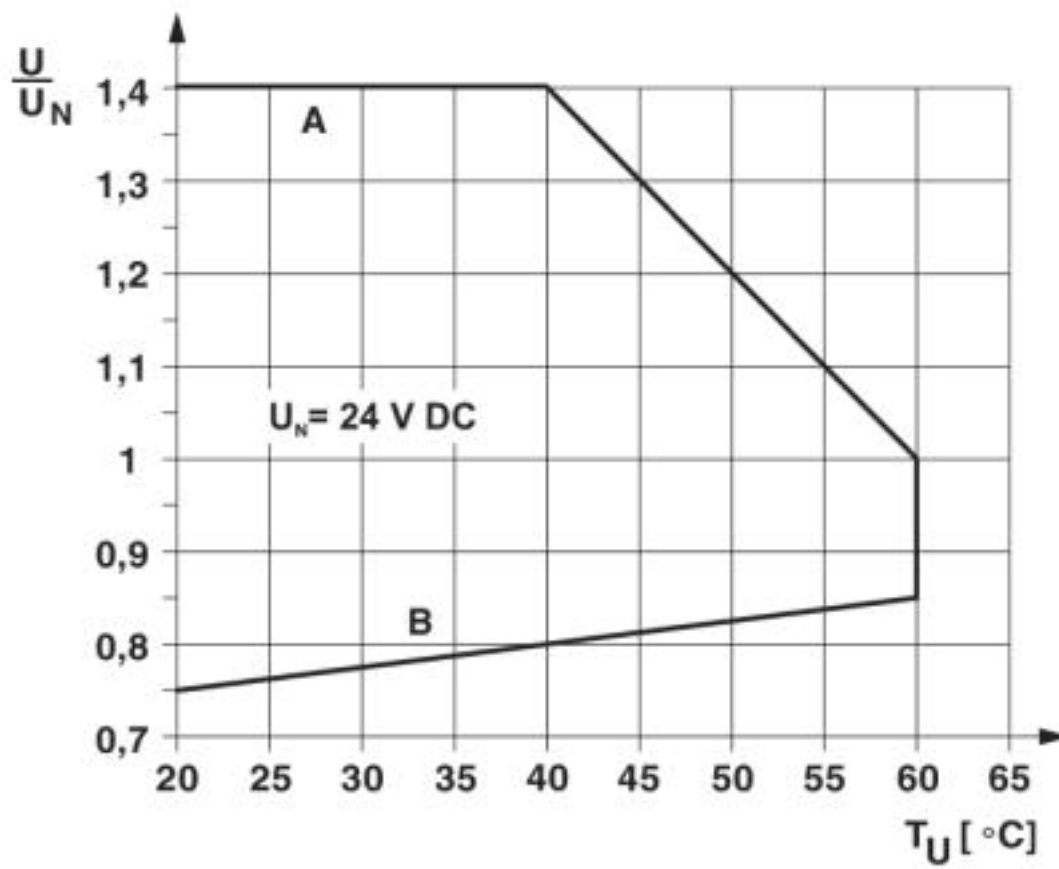


① DC, ohmic load

Interrupting rating

Relay Module - PLC-2RSC-24DC/ 1 - 2987309

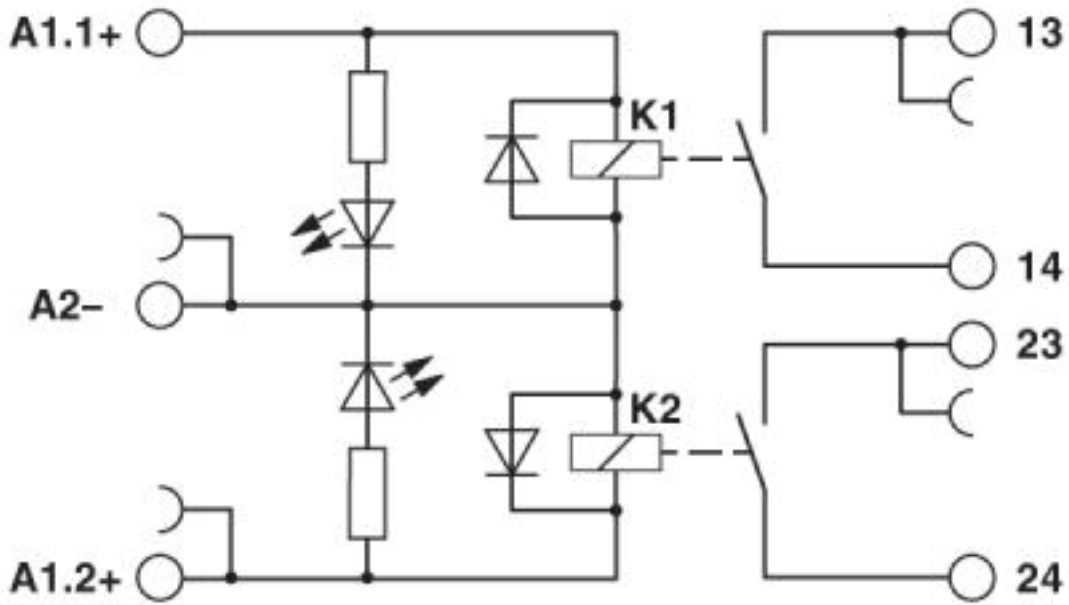
Diagram



Operating voltage range

Relay Module - PLC-2RSC-24DC/ 1 - 2987309

Circuit diagram



© Phoenix Contact 2013 - all rights reserved
<http://www.phoenixcontact.com>