

## Datasheet

Item no. 705334/ 705353/ 705369/ 705383/ 705396/ 705409/ 705423/  
705436/ 705452/

V1\_0717\_01\_en

## Dip Switches

### Product Overview

- ⊙ Using excellent heat and chemical resistance engineering plastic.
- ⊙ Using standard gold-plated contact points ensure reliability and longer life of the switch.
- ⊙ Have the advantage of self-cleaning when the switch in ON-OFF state.
- ⊙ Using widely in manual programproducts, like data processing, communications, remote controls and burglar alarmsystem.

### Soldering Information

- ⊙ Soldering iron under 30W and under 350°C for 3 seconds max or 270°C for 5 seconds max.
- ⊙ Wave crest soldering:  
240°C within 20seconds max, .Keep all actuators in "off" position during soldering and cleaning process.

### Specifications

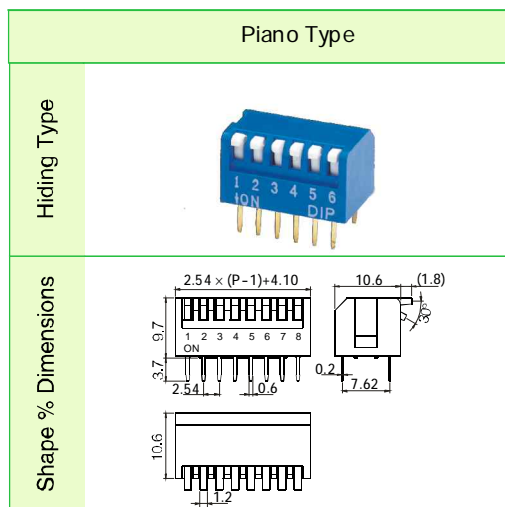
- ⊙ Contact capacity  
OFF: 25mA,24VDC  
ON: 100mA,50VDC
- ⊙ Contact resistance  
Initial: 50mΩ 24VDC /100mA  
After life test: 100mΩ typical, 24VDC /100mA  
Insulation resistance: ≥100MΩ ,500VDC  
Dielectr ic strength: 500VDC RMS min.  
Operating force: 400g Max  
Operation Life expectancy
- ⊙ Mechanical: 3000 operations  
Electrical: 2000 operations  
Temperature range operating/storage: -25°C~70°C

# Datasheet

Item no. 705334/ 705353/ 705369/ 705383/ 705396/ 705409/ 705423/  
705436/ 705452/

V1\_0717\_01\_en

## Dip Switches



Note: The above P = 2 ; If the P=1 the length is 3.75mm

- 705334 : Dip switch, hiding type, 1 position, measured weight: 0.2 g, measured dimension: 9.9 x 3.7 x 5.4 mm
- 705353 : Dip switch, hiding type, 2 position, measured weight: 0.7 g, measured dimension: 6.7 x 10.6 x 9.5 mm
- 705369 : Dip switch, hiding type, 3 position, measured weight: 1 g, measured dimension: 9.4 x 10.6 x 9.5 mm
- 705383 : Dip switch, hiding type, 4 position, measured weight: 1.3 g, measured dimension: 11.8 x 10.6 x 9.5 mm
- 705396 : Dip switch, hiding type, 5 position, measured weight: 1.5 g, measured dimension: 14.2 x 10.6 x 9.5 mm
- 705409 : Dip switch, hiding type, 6 position, measured weight: 1.7 g, measured dimension: 16.8 x 10.6 x 9.5 mm
- 705423 : Dip switch, hiding type, 8 position, measured weight: 2.3 g, measured dimension: 21.9 x 10.6 x 9.5 mm
- 705436 : Dip switch, hiding type, 10 position, measured weight: 2.7 g, measured dimension: 27 x 10.6 x 9.5 mm
- 705452 : Dip switch, hiding type, 12 position, measured weight: 2.7 g, measured dimension: 27 x 10.6 x 9.5 mm

This is a publication by Conrad Electronic SE, Klaus-Conrad-Str. 1, D-92240 Hirschau ([www.conrad.com](http://www.conrad.com)).

All rights including translation reserved. Reproduction by any method, e.g. photocopy, microfilming, or the capture in electronic data processing systems require the prior written approval by the editor. Reprinting, also in part, is prohibited. This publication represents the technical status at the time of printing.

© Copyright 2017 by Conrad Electronic SE.