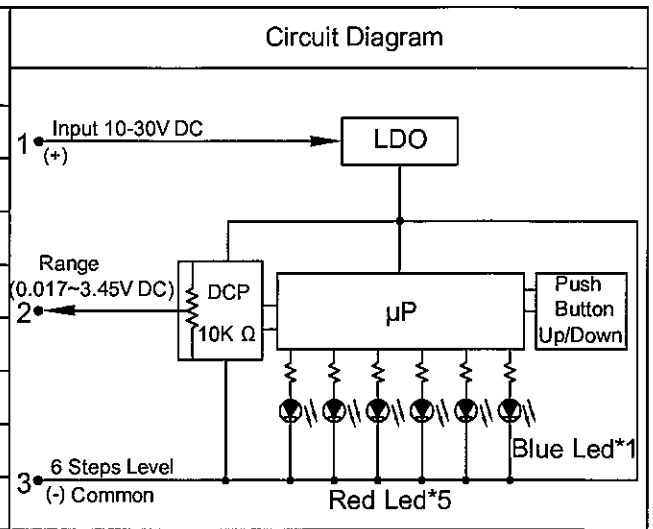
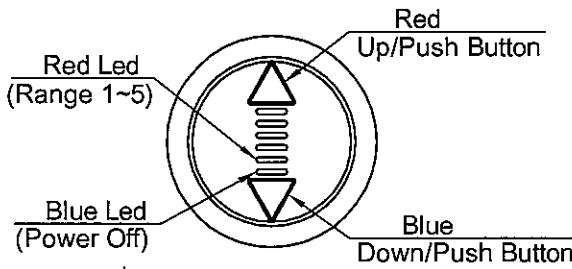
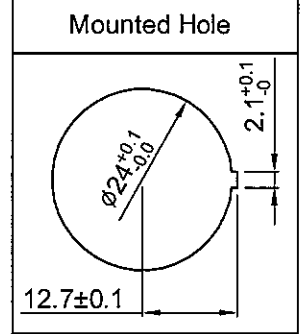


Input Voltage Rating	10~30V DC
Insulation Resistance	DC 500V 100M ohm Min.
Dielectric Strength	AC 1000V 1 minute
Output Voltage Range	0.017-3.45V DC
Operation Temperature	-10°C~55°C
Push Button	Up/Down: Range (0.017-3.45V DC)
Led Indicator	Blue*1 On: Power Off (0.017V DC)
	Red*5 On: Range (0.51~3.45V DC)



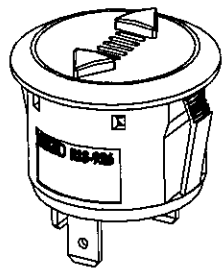
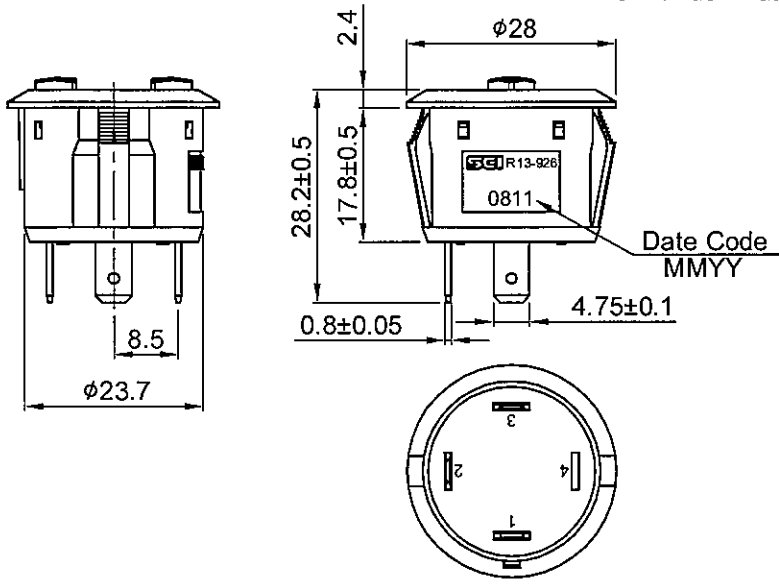
R13-926-02 - U R - U R

Push Button Color	Down/Push Button	Led Indicator Color	Led Color
U Blue		(Range 1~5)	R Red
Push Button Color	Up/Push Button	Led Indicator Color	Led Color
R Red		(Power Off)	U Blue



Materials:
Housing: Nylon, Black (UL flame: 94V-2).
Bottom/ Push Button: PC.
Terminals 1, 2: Nickel Plated Brass.
Terminal 3: Brass.

Approvals:
EN61000-6-1, EN61000-6-3
CE Compliant
RoHS Compliant



1 - For CEI Only
2 - Tolerances Unless Otherwise Specified ±0.3

Date	Name	Description			NO
Drawn	Checked	Approved	SCI BOM No.	Model Name	DCP Control Switch
Jam.Chan		<i>B. S. Wang</i>	Customer No.	Model No.	R13-926-02-UR-UR
9/8/11		<i>9/8/11</i>	Unit	mm	REV. 0
SHIN CHIN INDUSTRIAL CO., LTD.					