

# Relay socket - PLC-BSC- 24DC/ 1/ACT - 2966058

Please be informed that the data shown in this PDF Document is generated from our Online Catalog. Please find the complete data in the user's documentation. Our General Terms of Use for Downloads are valid (<http://download.phoenixcontact.com>)



6.2 mm PLC actuator basic terminal block with load return line connection (BB), screw connection, 24 V DC input voltage, without relay or solid-state relay. Note: if fitted with a PDT relay, only the N/O contact is led out.



## Key commercial data

package_quantity	10
GTIN	4017918130817

## Technical data

Note:

Utilization restriction	EMC: class A product, see manufacturer's declaration in the download area
-------------------------	---

## Dimensions

Width	6.2 mm
Height	80 mm
Depth	94 mm

## Ambient conditions

Ambient temperature (operation)	-40 °C ... 60 °C
Ambient temperature (storage/transport)	-40 °C ... 85 °C

## Input data

Nominal input voltage $U_N$	24 V DC
Status display	LED
Protective circuit	Damping diode, polarity protection diode

## Connection data

Conductor cross section solid min.	0.14 mm <sup>2</sup>
Conductor cross section solid max.	2.5 mm <sup>2</sup>
Conductor cross section stranded min.	0.14 mm <sup>2</sup>
Conductor cross section stranded max.	2.5 mm <sup>2</sup>
Conductor cross section AWG/kcmil min.	26
Conductor cross section AWG/kcmil max	14
Connection method	Screw connection

# Relay socket - PLC-BSC- 24DC/ 1/ACT - 2966058

## Technical data

### Connection data

<b>Stripping length</b>	8 mm
<b>Screw thread</b>	M3

### General

<b>Color</b>	green
<b>Operating mode</b>	100% operating factor
<b>Inflammability class according to UL 94</b>	V0
<b>Mounting position</b>	Any
<b>Assembly instructions</b>	In rows with zero spacing

## classifications

### eCl@ss

<b>eCl@ss 4.0</b>	27371102
<b>eCl@ss 4.1</b>	27371102
<b>eCl@ss 5.0</b>	27371603
<b>eCl@ss 5.1</b>	27371603
<b>eCl@ss 6.0</b>	27371603
<b>eCl@ss 7.0</b>	27371603
<b>eCl@ss 8.0</b>	27371603

### ETIM

<b>ETIM 2.0</b>	EC001456
<b>ETIM 3.0</b>	EC001456
<b>ETIM 4.0</b>	EC001456
<b>ETIM 5.0</b>	EC001456

### UNSPSC

<b>UNSPSC 6.01</b>	30211917
<b>UNSPSC 7.0901</b>	39121516
<b>UNSPSC 11</b>	39121516
<b>UNSPSC 12.01</b>	39121516
<b>UNSPSC 13.2</b>	39121516

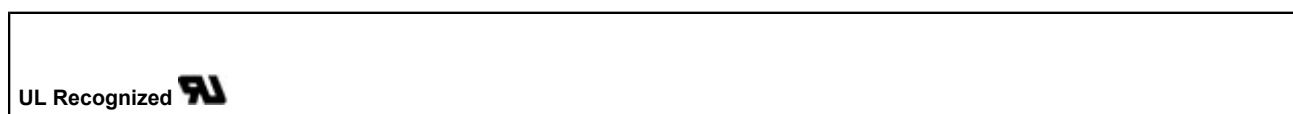
## approvals

---

UL Recognized / cUL Recognized / GOST / GL / cULus Recognized /

---

### Approval details



## Relay socket - PLC-BSC- 24DC/ 1/ACT - 2966058

approvals

cUL Recognized 

GOST 

GL

cULus Recognized 

accessories

**Mounting rail**

NS 35/ 7,5 V2A UNPERF 2000MM - 0801377



NS 35/ 7,5 PERF 2000MM - 0801733



NS 35/ 7,5 CU UNPERF 2000MM - 0801762



## Relay socket - PLC-BSC- 24DC/ 1/ACT - 2966058

### accessories

NS 35/15 UNPERF 2000MM - 1201714



NS 35/15 CU UNPERF 2000MM - 1201895



NS 35/15-2,3 UNPERF 2000MM - 1201798



NS 35/15 AL UNPERF 2000MM - 1201756



NS 35/15 PERF 2000MM - 1201730



NS 35/ 7,5 UNPERF 2000MM - 0801681



# Relay socket - PLC-BSC- 24DC/ 1/ACT - 2966058

accessories

---

## Terminal marking

ZB 6:UNBEDRUCKT - 1051003



ZB 6/WH-100:UNBEDRUCKT - 5060935



## Labeled terminal marker

ZB 6,LGS:FORTL.ZAHLEN - 1051016



## Power module

PLC-ESK GY - 2966508



## Partition plate

## Relay socket - PLC-BSC- 24DC/ 1/ACT - 2966058

### accessories

PLC-ATP BK - 2966841



---

### Screwdriver tools

SZF 1-0,6X3,5 - 1204517



---

### Bridge

FBST 500-PLC RD - 2966786



---

FBST 500-PLC BU - 2966692



---

FBST 500-PLC GY - 2966838



## Relay socket - PLC-BSC- 24DC/ 1/ACT - 2966058

### accessories

FBST 6-PLC RD - 2966236



FBST 6-PLC BU - 2966812



FBST 6-PLC GY - 2966825



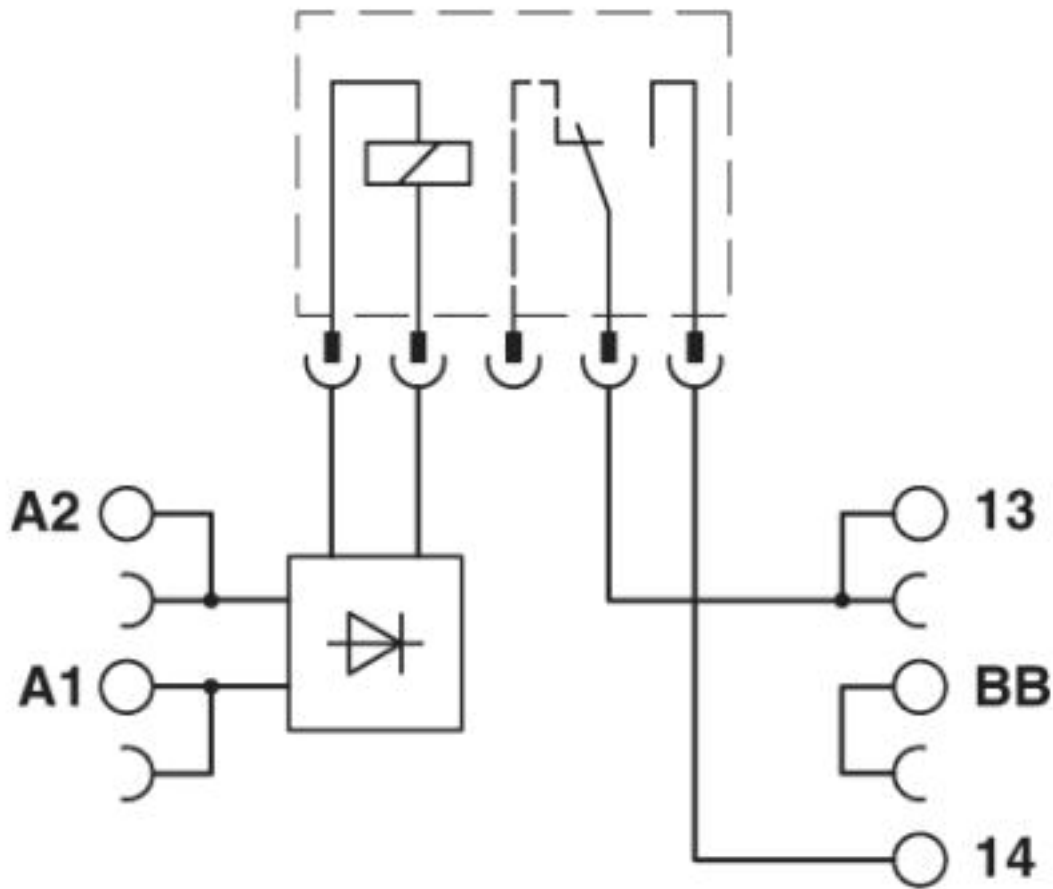
FBST 8-PLC GY - 2967688



### Drawings

# Relay socket - PLC-BSC- 24DC/ 1/ACT - 2966058

Circuit diagram



Circuit diagram

