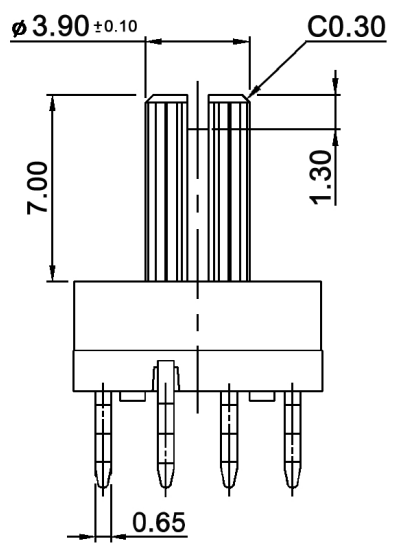
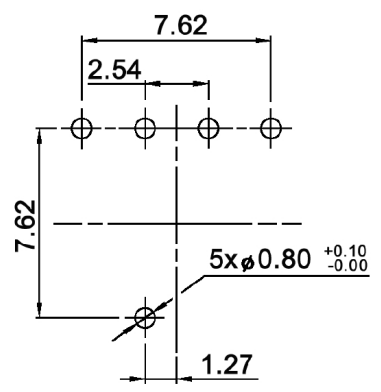


datecode of 2 digits

1. digit: year (8=2008)
2. digit: month (1 to 9 Jan to Sept, X Y Z Oct to Dec)



P.C.B. LAYOUT



TYPE	CIRCUIT CHARACTERISTIC										
	CODE	POSITION									ON
DRS 4010		0	1	2	3	4	5	6	7	8	9
	1		●		●		●		●		●
	2			●	●			●	●		
	4					●	●	●	●		
8										●	●



Tolerances: ±0.20mm max.		Date	Name
		12/07	dr
Dimension	03/09	dr	
Dimensions	02/09	dr	
RoHS	06/08	dr	
Dimensions	06/08	dr	
Operating temperature	04/08	dr	
Modifications	Date	Name	

DRS 4010

knitter-switch

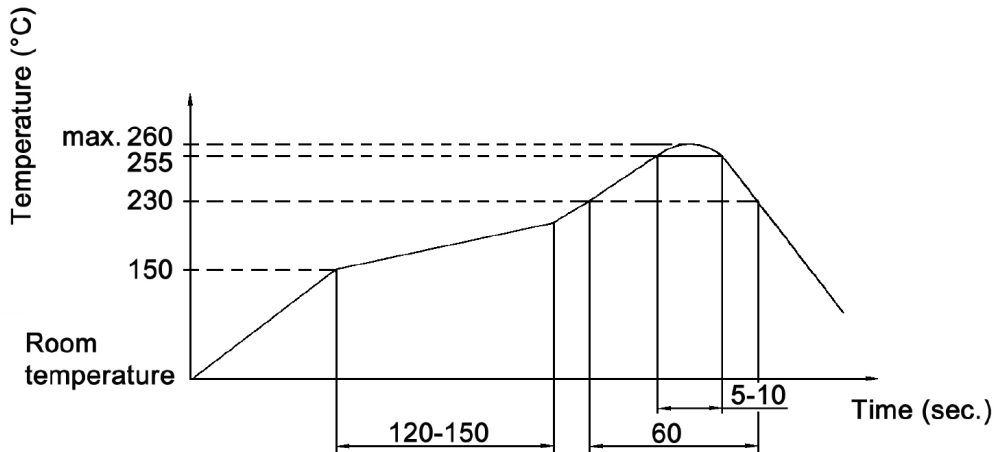
30 13 22

Specifications:

Contact rating: non-switching: 100mA, 50V DC
 switching: 30mA, 15V DC
Contact resistance: 100mOhm max.
Insulation resistance: 1 000MOhm min. at 250V DC
Dielectric strength: 250V AC for 1 minute
Operating temperature: -40°C to +85°C
Mechanical life: 20 000 cycles min.
Operating force: 250 gf.cm max.
Material: Base / cover: high-temp. thermoplastic nylon UL94V-0,
 molded black
 Movable contact: alloy copper, gold plated
 Actuator: high-temp. thermoplastic nylon UL94V-0,
 color: yellow
 O-ring: silicone
 Spring: stainless steel
 Terminal: brass, gold plated

RoHS compliant and free from DecaBDE

Soldering conditions: wave soldering: 260°C, 5sec. max.
 through hole reflow: 260 +/-5°C, 4-6sec.



Tolerances: ±0.20mm max.		Date	Name	DRS 4010
		12/07	dr	
		knitter-switch		30 13 22
Modifications		Date	Name	Page 2/2