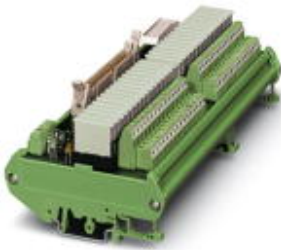


Active module - UMK-32 RM/MR-G24/1/PLC - 2979472

Please be informed that the data shown in this PDF Document is generated from our Online Catalog. Please find the complete data in the user's documentation. Our General Terms of Use for Downloads are valid (<http://download.phoenixcontact.com>)



VARIOFACE output module, with 32 miniature relays, 1 N/O contact each, plugged, for 24 V DC (incl. relay)

Product Features

- ✔ Narrow design width of just 55 mm (8 channels) or 202 mm (32 channels)
- ✔ Universal applications from 1 mA to 3 A continuous current thanks to 2-layer double contact with hard gold plating
- ✔ LED status indicator per signal path and supply voltage
- ✔ Freewheeling and polarity protection diode for each signal path
- ✔ Plug-in miniature relays each with an N/O contact



Key commercial data

package_quantity	1
GTIN	4017918130367

Technical data

Note:

Utilization restriction	EMC: class A product, see manufacturer's declaration in the download area
-------------------------	---------------------------------------------------------------------------

Dimensions

Width	202 mm
Height	90 mm
Depth	58 mm

Ambient conditions

Ambient temperature (operation)	-20 °C ... 50 °C
Ambient temperature (storage/transport)	-20 °C ... 70 °C

Input data

Nominal input voltage U_N	24 V DC
Input voltage range in reference to U_N	0.8 ... 1.1
Typical input current at U_N	6.5 mA
Typical response time	5 ms
Typical release time	15 ms

Active module - UMK-32 RM/MR-G24/1/PLC - 2979472

Technical data

Input data

Type of protection	Free-wheeling diode
Protective circuit/component	Damping diode
Operating voltage display	Green LED
Status display/channel	Yellow LED

Output data

Contact type	1 N/O contact (double contact)
Contact material	AgNi, 5 µm hard gold-plated
Maximum switching voltage	250 V AC
Maximum switching voltage	125 V DC
Minimum switching voltage	5 V
Limiting continuous current	3 A
Maximum inrush current	5 A
Min. switching current	1 mA
Interrupting rating (ohmic load) max.	72 W (24 V DC)
Interrupting rating (ohmic load) max.	60 W (48 V DC)
Interrupting rating (ohmic load) max.	50 W (60 V DC)
Interrupting rating (ohmic load) max.	50 W (110 V DC)
Interrupting rating (ohmic load) max.	750 VA (250 V AC)
Error detection (line break / short-circuit)	no

General

No. of channels	32
Compatible components	Miniature relay, REL-MR-G 24/1
With components	Yes
Test voltage	3 kV AC
Test voltage relay winding/relay contact	3 kV AC
Mechanical service life	2 x 10 ⁷ cycles
Standards/regulations	IEC 60664
Standards/regulations	DIN EN 50178
Standards/regulations	IEC 62103
Operating mode	100% operating factor
Mounting position	Any
Assembly instructions	In rows with zero spacing
Pollution degree	2
Surge voltage category	III
Housing insulation material	PVC, side panel PA non-reinforced,
Color	green

Connection data for connection 1

Connection name	Coil side
Number of connections	1
Connection method	IDC/FLK pin strip (2.54 mm)

Active module - UMK-32 RM/MR-G24/1/PLC - 2979472

Technical data

Connection data for connection 1

Number of positions	50
----------------------------	----

Connection data for connection 2

Connection name	Contact side
Number of connections	72
Connection method	Screw connection
Number of positions	6
Conductor cross section solid min.	0.14 mm ²
Conductor cross section solid max.	1.5 mm ²
Conductor cross section stranded min.	0.14 mm ²
Conductor cross section stranded max.	1.5 mm ²
Conductor cross section AWG/kcmil min.	26
Conductor cross section AWG/kcmil max	16
Screw thread	M3
Stripping length	6 mm

Supported controller

Corresponding control	SIEMENS S7-400
Corresponding I/O card	6ES7 422-1BL00-0AA0
Corresponding I/O card	6ES7 422-7BL00-0AB0
Corresponding control	ALLEN-BRADLEY ControlLogix
Corresponding I/O card	1756-OB32
Corresponding control	ALLEN-BRADLEY PLC 5
Corresponding I/O card	1771 OBN
Corresponding control	HONEYWELL PlantScape
Corresponding I/O card	TC-ODD 321
Corresponding control	MITSUBISHI MELSEC L
Corresponding I/O card	LY41PT1P
Corresponding I/O card	LY42PT1P
Corresponding control	MITSUBISHI MELSEC Q
Corresponding I/O card	QY81P
Corresponding control	Schneider Electric MODICON TSX QUANTUM
Corresponding I/O card	DDO 353
Corresponding control	SIEMENS S7-300 / ET 200 M
Corresponding I/O card	6ES7 322-1BL00-0AA0
Corresponding control	Emerson DeltaV
Corresponding I/O card	VE4002S1T2B6
Corresponding control	GE-FANUC RX3i
Corresponding I/O card	IC694MDL754

classifications

eCl@ss

Active module - UMK-32 RM/MR-G24/1/PLC - 2979472

classifications

eCl@ss

eCl@ss 4.0	27371102
eCl@ss 4.1	27371102
eCl@ss 5.0	27371001
eCl@ss 5.1	27371001
eCl@ss 6.0	27371001
eCl@ss 7.0	27371001
eCl@ss 8.0	27371001

ETIM

ETIM 2.0	EC001437
ETIM 3.0	EC001437
ETIM 4.0	EC001437
ETIM 5.0	EC001437

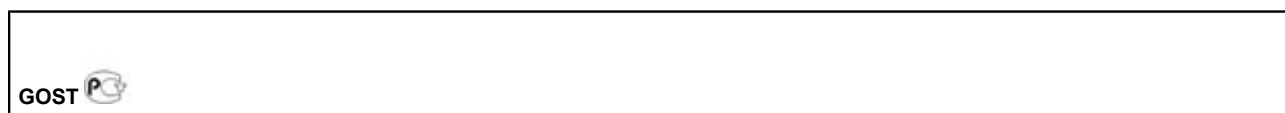
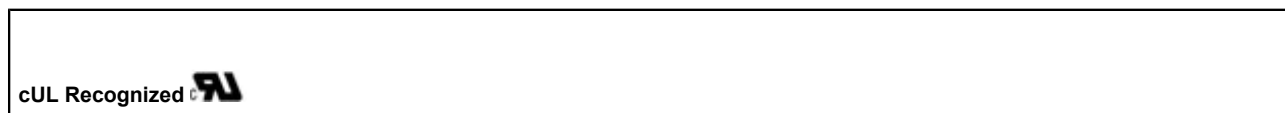
UNSPSC

UNSPSC 6.01	30211916
UNSPSC 7.0901	39121515
UNSPSC 11	39121515
UNSPSC 12.01	39121515
UNSPSC 13.2	39121515

approvals

UL Recognized / cUL Recognized / GOST / cULus Recognized /

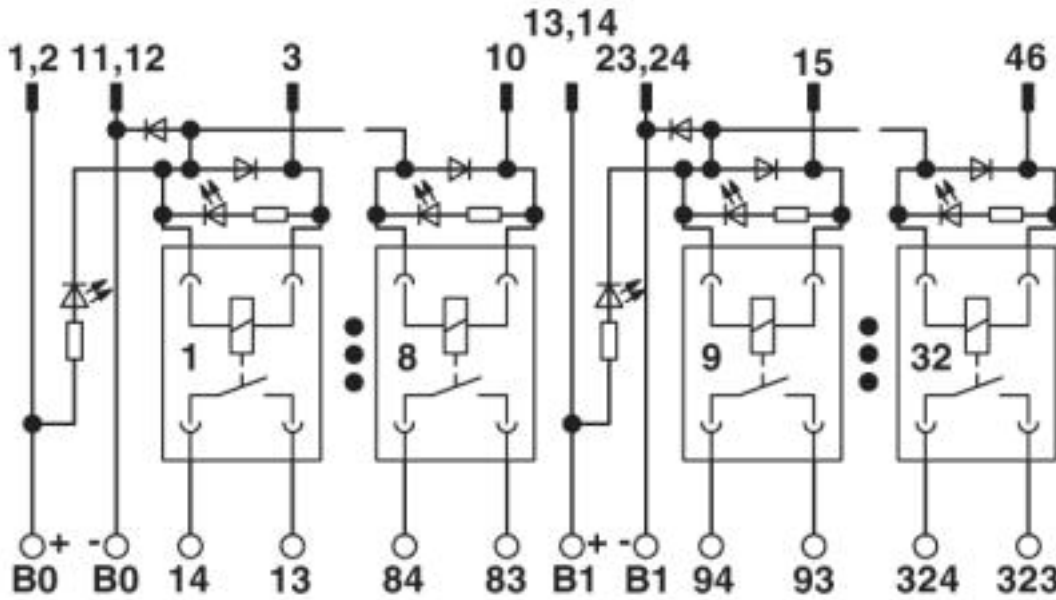
Approval details



Active module - UMK-32 RM/MR-G24/1/PLC - 2979472

Drawings

Circuit diagram



© Phoenix Contact 2013 - all rights reserved
<http://www.phoenixcontact.com>