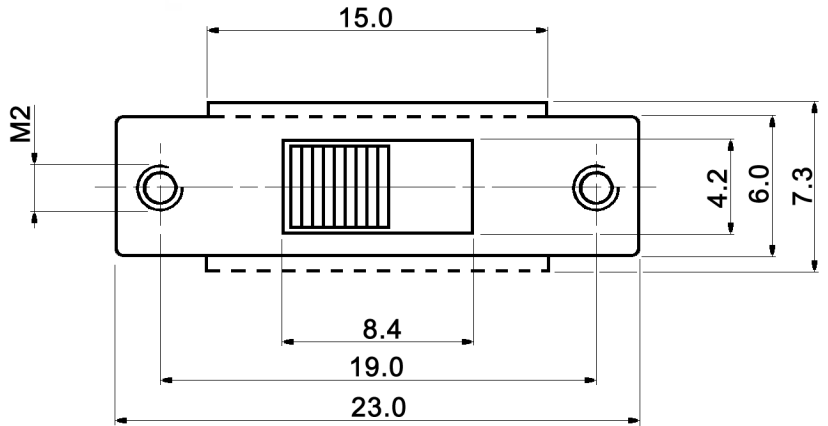


**SCHEMATIC**



**Specifications:**

**Contact rating:** 350mA, 30V DC  
**Contact resistance:** 20mOhm max.  
**Insulation resistance:** 100MOhm min. at 500V DC  
**Dielectric strength:** 500V, 50Hz for the duration of 1 minute  
**Operating temperature:** -20°C to +85°C  
**Mechanical life:** min. 10 000 cycles  
**Soldering conditions:** hand-soldering: max.: 270°C, 5sec.  
**Switching function:** on - on  
**Timing:** non-shorting  
**Material:** Contacts: copper alloy, silver plated over nickel barrier  
 Slide colour: black

x	L(mm)
2.5	2.5
4	4
5	5
6	6
empty	7
9	9
11	11
12	12
14	14



Tolerances: ±0.2mm	Date	Name
	09/10	dr
Modifications	Date	Name

**MFS 131 D-x**

**30 21 66**

Page

1/1

**knitter-switch**