

# Solid-state relay module - PLC-OPT- 24DC/300DC/1 - 2900383

Please be informed that the data shown in this PDF Document is generated from our Online Catalog. Please find the complete data in the user's documentation. Our General Terms of Use for Downloads are valid (<http://download.phoenixcontact.com>)



PLC-INTERFACE, integrated solid-state relay, with Push-in connection, for mounting on NS 35/7,5 DIN rails, input: 24 V DC, output: 12 - 300 V DC/1 A

The illustration shows the version PLC-OSC-24DC/300DC/1

## Product Features

- Wear-free switching with no contact bounce
- Resistant to vibrations and shocks
- Protective circuit in input and output
- Option of bridging adjacent modules
- Status indicator
- DC voltage outputs of up to 300 V DC/1 A or up to 24 V DC/10 A
- Electronic PDT output of up to 48 V DC/500 mA



## Key commercial data

<b>package_quantity</b>	10
<b>GTIN</b>	4046356508919

## Technical data

Note:

<b>Utilization restriction</b>	EMC: class A product, see manufacturer's declaration in the download area
--------------------------------	---

### Dimensions

<b>Width</b>	6.2 mm
<b>Height</b>	80 mm
<b>Depth</b>	86 mm

### Ambient conditions

<b>Ambient temperature (operation)</b>	-25 °C ... 60 °C
<b>Ambient temperature (storage/transport)</b>	-40 °C ... 85 °C

### Input data

<b>Nominal input voltage <math>U_N</math></b>	24 V DC
<b>Input voltage range in reference to <math>U_N</math></b>	0.8 ... 1.2

# Solid-state relay module - PLC-OPT- 24DC/300DC/1 - 2900383

## Technical data

### Input data

Switching threshold "0" signal in reference to $U_N$	$\leq 0.4$
Switching threshold "1" signal in reference to $U_N$	$\geq 0.8$
Typical input current at $U_N$	8 mA
Typical response time	0.3 ms
Typical turn-off time	0.7 ms
Operating voltage display	Yellow LED
Type of protection	Protection against polarity reversal
Type of protection	Surge protection
Protective circuit/component	Polarity protection diode
Protective circuit/component	Varistor
Transmission frequency	50 Hz

### Output data

Name	Output data
Output voltage range	12 V DC ... 300 V DC (Partition plate PLC-ATP must be installed for voltages larger than 250 V (L1, L2, L3) between identical terminal points in adjacent modules. Potential bridging is then carried out with FBST 8-PLC... or ...FBST 500...)
Limiting continuous current	1 A (see derating curve)
Voltage drop at max. limiting continuous current	< 500 mV
Type of protection	Protection against polarity reversal
Type of protection	Surge protection
Protective circuit/component	Polarity protection diode
Protective circuit/component	Varistor

### Connection data

Connection method	Push-in connection
Stripping length	8 mm
Conductor cross section solid min.	0.14 mm <sup>2</sup>
Conductor cross section solid max.	2.5 mm <sup>2</sup>
Conductor cross section stranded min.	0.14 mm <sup>2</sup>
Conductor cross section stranded max.	2.5 mm <sup>2</sup>
Conductor cross section AWG/kcmil min.	26
Conductor cross section AWG/kcmil max	14

### General

Mounting position	Any
Assembly instructions	In rows with zero spacing
Operating mode	100% operating factor
Inflammability class according to UL 94	V0
Name	Standards/regulations
Standards/regulations	IEC 60664
Standards/regulations	EN 50178
Standards/regulations	IEC 62103

# Solid-state relay module - PLC-OPT- 24DC/300DC/1 - 2900383

## Technical data

### General

<b>Rated surge voltage / insulation</b>	4 kV / basic insulation
<b>Rated insulation voltage</b>	300 V
<b>Pollution degree</b>	2
<b>Surge voltage category</b>	III

### classifications

#### eCl@ss

<b>eCl@ss 4.0</b>	27371102
<b>eCl@ss 4.1</b>	27371102
<b>eCl@ss 5.0</b>	27371001
<b>eCl@ss 5.1</b>	27371001
<b>eCl@ss 6.0</b>	27371001
<b>eCl@ss 7.0</b>	27371001
<b>eCl@ss 8.0</b>	27371001

#### ETIM

<b>ETIM 2.0</b>	EC001504
<b>ETIM 3.0</b>	EC001504
<b>ETIM 4.0</b>	EC000196
<b>ETIM 5.0</b>	EC000196

#### UNSPSC


<b>UNSPSC 6.01</b>	30211916
<b>UNSPSC 7.0901</b>	39121542
<b>UNSPSC 11</b>	39121542
<b>UNSPSC 12.01</b>	39121542
<b>UNSPSC 13.2</b>	39121542

### approvals

GL / UL Listed / cUL Listed / UL Recognized / cUL Recognized / cULus Recognized / cULus Listed /

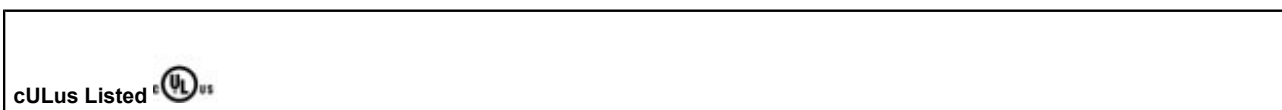
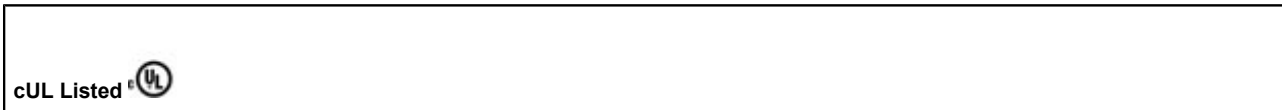
#### Approval details

<b>GL</b>
-----------

<b>UL Listed</b> 
--

# Solid-state relay module - PLC-OPT- 24DC/300DC/1 - 2900383

approvals



accessories

## Mounting rail

NS 35/ 7,5 V2A UNPERF 2000MM - 0801377



NS 35/ 7,5 PERF 2000MM - 0801733



## Solid-state relay module - PLC-OPT- 24DC/300DC/1 - 2900383

### accessories

NS 35/ 7,5 CU UNPERF 2000MM - 0801762



NS 35/15 UNPERF 2000MM - 1201714



NS 35/15 CU UNPERF 2000MM - 1201895



NS 35/15-2,3 UNPERF 2000MM - 1201798



NS 35/15 AL UNPERF 2000MM - 1201756



NS 35/15 PERF 2000MM - 1201730



# Solid-state relay module - PLC-OPT- 24DC/300DC/1 - 2900383

accessories

---

NS 35/ 7,5 UNPERF 2000MM - 0801681



---

## Power module

PLC-ESK GY - 2966508



---

## Partition plate

PLC-ATP BK - 2966841



---

## Screwdriver tools

SZF 1-0,6X3,5 - 1204517



---

## Controller board

## Solid-state relay module - PLC-OPT- 24DC/300DC/1 - 2900383

### accessories

PLC-V8/FLK14/OUT - 2295554



PLC-V8/FLK14/OUT/M - 2304102



PLC-V8/D15B/OUT - 2296061



### Interface module

PLC-V8/D15S/OUT - 2296058



### Bridge

FBST 500-PLC RD - 2966786



## Solid-state relay module - PLC-OPT- 24DC/300DC/1 - 2900383

### accessories

FBST 500-PLC BU - 2966692



FBST 500-PLC GY - 2966838



FBST 6-PLC RD - 2966236



FBST 6-PLC BU - 2966812



FBST 6-PLC GY - 2966825



FBST 8-PLC GY - 2967688





# Solid-state relay module - PLC-OPT- 24DC/300DC/1 - 2900383

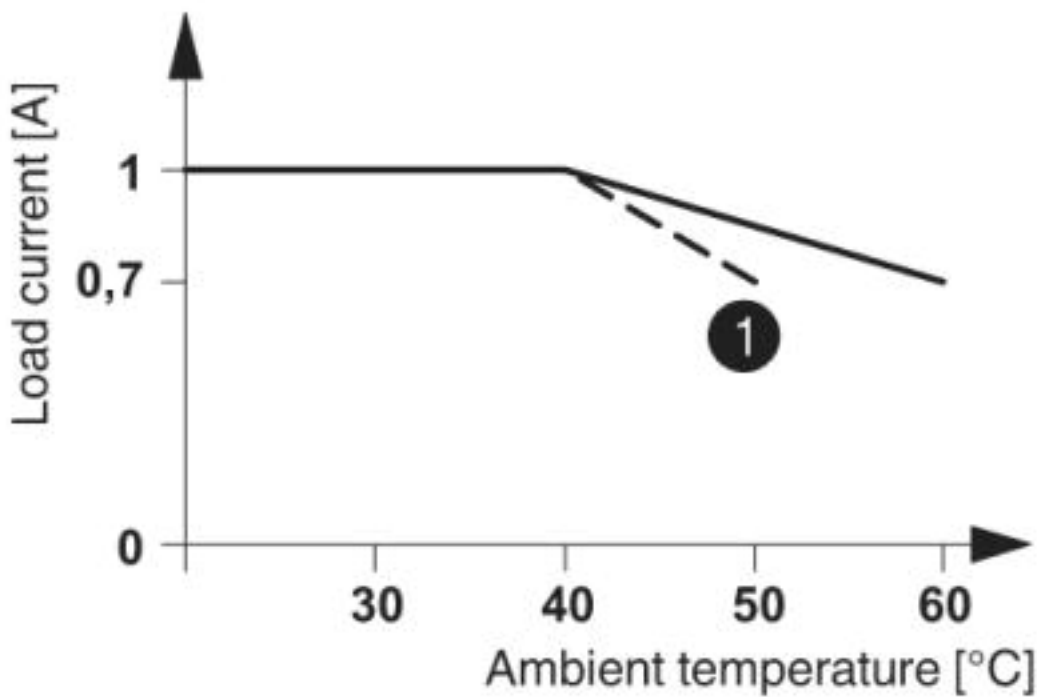
accessories

FBST 14-PLC BK - 2967691



## Drawings

Diagram

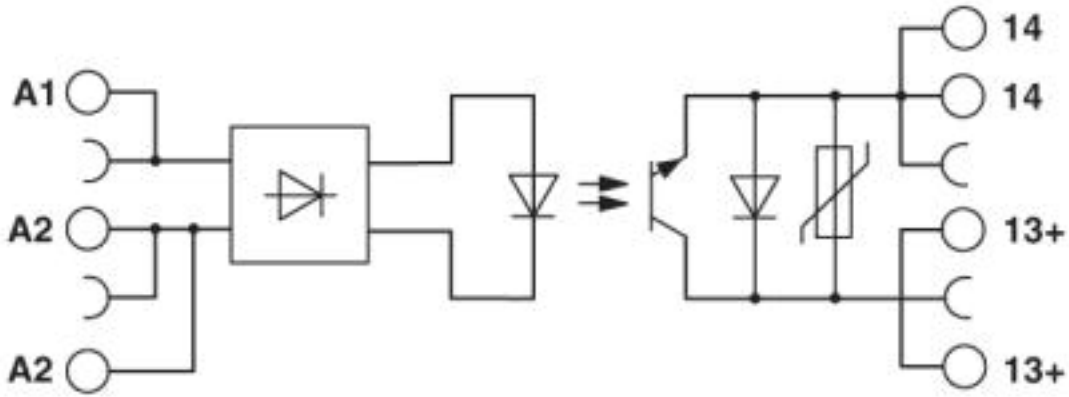


**1** For input voltages of 220 V DC and 230 V DC

The illustration shows the derating curve for PLC-...300DC/1

# Solid-state relay module - PLC-OPT- 24DC/300DC/1 - 2900383

Circuit diagram



© Phoenix Contact 2013 - all rights reserved  
<http://www.phoenixcontact.com>