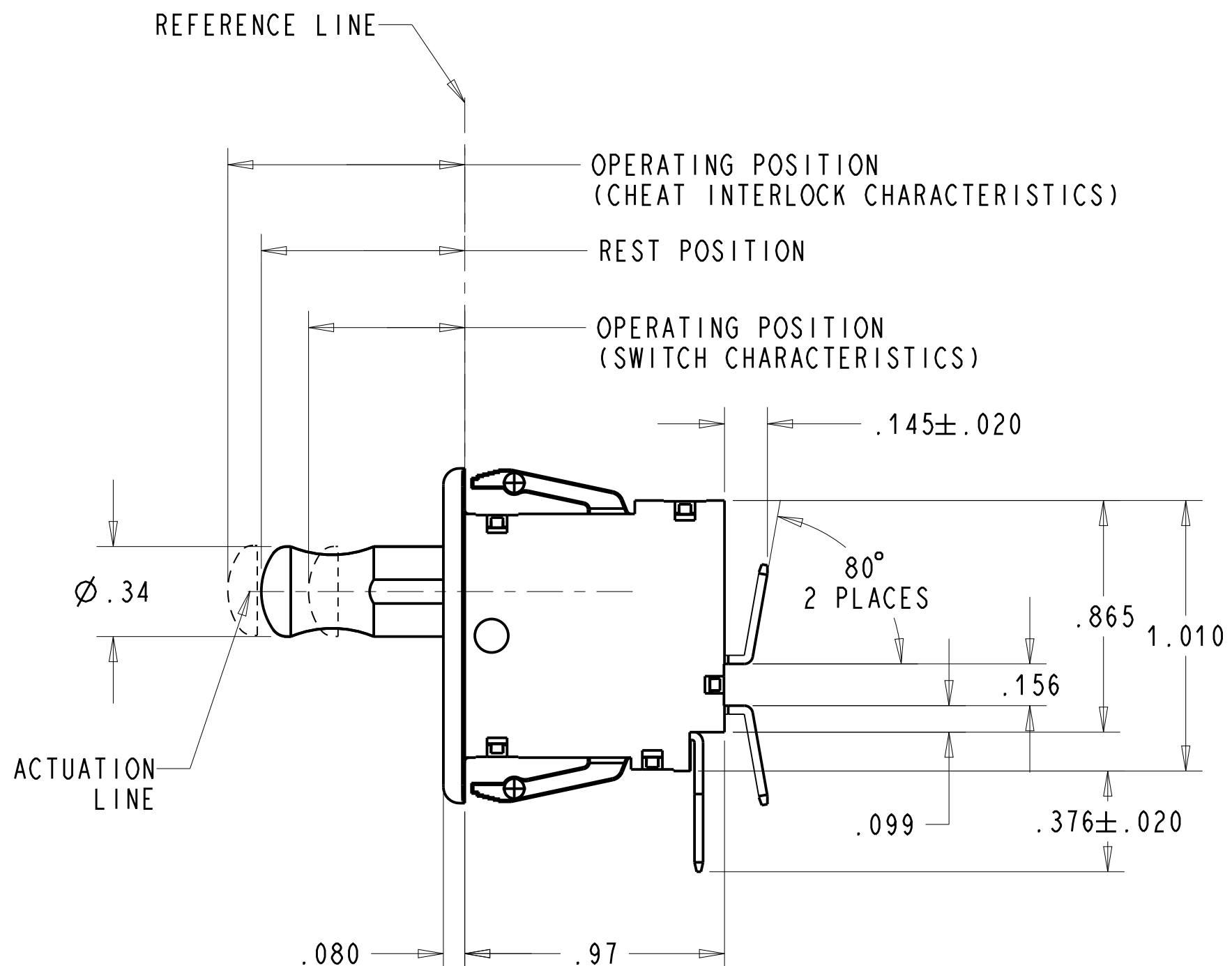
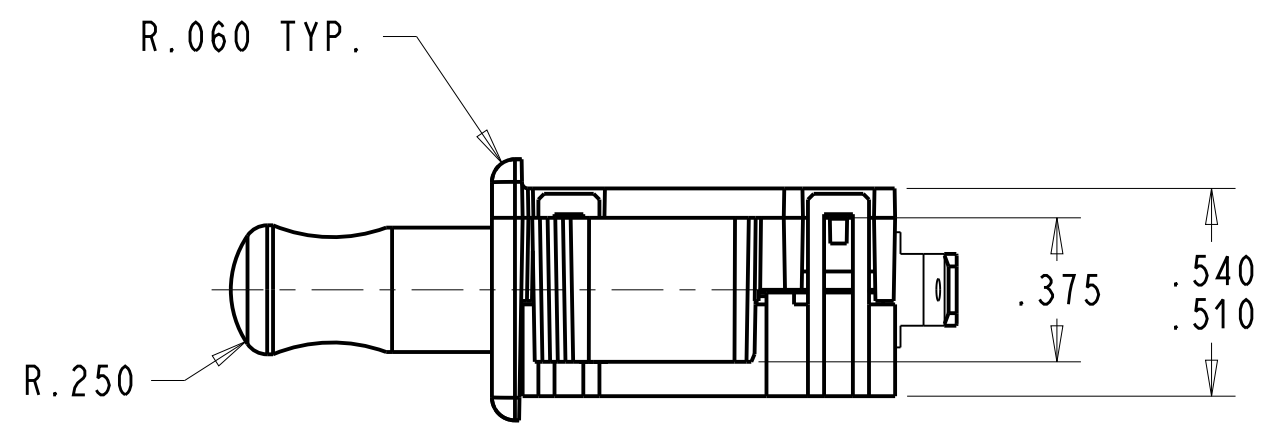
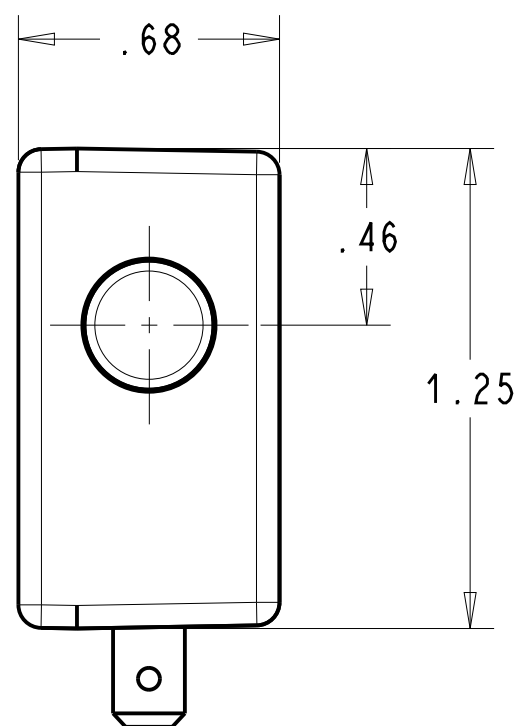


PANEL CUTOUT DETAIL
RECOMMENDED
PANEL THICKNESS
.045 - .100



NOTES (UNLESS OTHERWISE SPECIFIED):

1. SWITCH CHARACTERISTICS:

REST POSITION:	.730 TO .790
PRETRAVEL:	.125 MAX.
OPERATING POSITION:	.610 TO .710
OVER-TRAVEL:	.100 MIN.
MOVEMENT DIFF:	.045 MAX.
OPERATING FORCE grams	425 MAX.

BUTTON POSITION AT FULL OVERTRAVEL:	.520 MAX.
-------------------------------------	-----------

ALL CHARACTERISTICS ARE TAKEN AT THE ACTUATION LINE AND MEASURED FROM THE REFERENCE LINE.

CHEAT INTERLOCK CHARACTERISTICS:

REST POSITION:	.730 TO .790
PRETRAVEL:	.125 MAX.
OPERATING POSITION:	.800 TO .900
OVER-TRAVEL:	.050 MIN.
MOVEMENT DIFF:	.060 MAX.
FULL OVERTRAVEL:	.980 MAX.
OPERATING FORCE grams	585 MAX.

2. ELECTRICAL RATING

10 A, 125/250 VAC
1/3 HP, 125/250VAC.

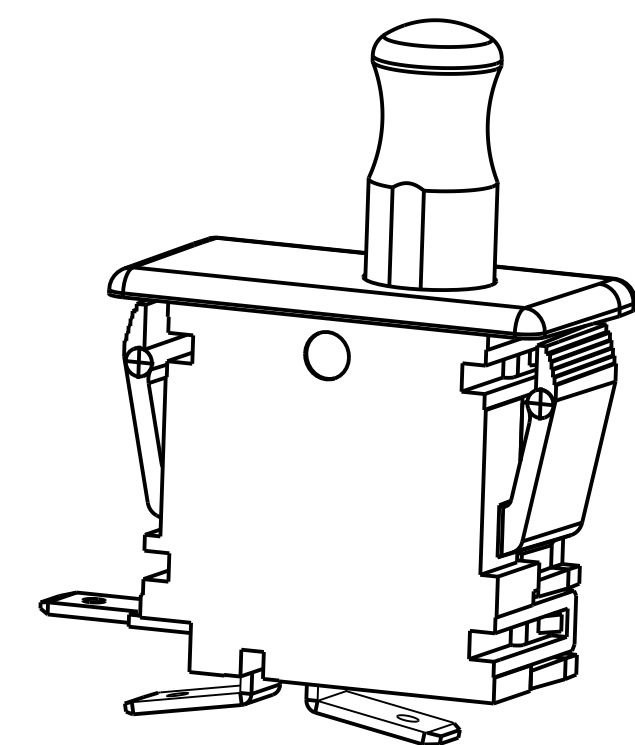
10(4)A 250V, 50E3. 40T85

3. TERMINALS:
ARE .187 WIDTH x .032 THICKNESS.

4. RECOGNIZED TO U.S. AND CANADIAN REQUIREMENTS UNDER THE COMPONENT RECOGNITION PROGRAM OF UNDERWRITERS LABORATORIES, INC.

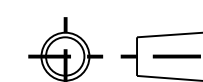
5. TEMPERATURE RATING: -40°C TO +85°C

7. COLORS:
FACEPLATE WHITE
BUTTON WHITE



DWN: JML
APVD: CJD
DATE: 14-Jun-94

THIRD ANGLE PROJECTION



CONFIDENTIAL AND PROPRIETARY:
ALL INFORMATION OR INVENTIONS CONTAINED IN THIS DOCUMENT OR DERIVED FROM THE INFORMATION THEREIN IS OWNED BY ZF ELECTRONIC SYSTEMS, AND IS CONFIDENTIAL AND PROPRIETARY. REVIEW OR POSSESSION OF THIS DOCUMENT INDICATES AGREEMENT THAT SUCH INFORMATION AND INVENTIONS WILL NOT BE DISCLOSED, REPRODUCED OR OTHERWISE USED IN ANY WAY WITHOUT EXPRESS WRITTEN PERMISSION FROM AN AUTHORIZED REPRESENTATIVE OF ZF ELECTRONIC SYSTEMS.



11200 88th AVE. PLEASANT PRAIRIE, WI 53158

NAME / DESCRIPTION

SPECIFICATION DRAWING

D	Z000375239	29-Aug-16	JPD	RY
REV	ECO NO.	DATE	PREP	ELL

PROJECT/ CSR	DWG UNITS	X.XX	X.XXX	ANGLES
4000000138	INCHES	± 0.02	± 0.015	± 5.0 °

TOLERANCE UNLESS SPECIFIED	C	ITEM NO.	OF69-30A0
SCALE:	2:1	SH	1 OF 1

ORIGINAL ON PRO/E