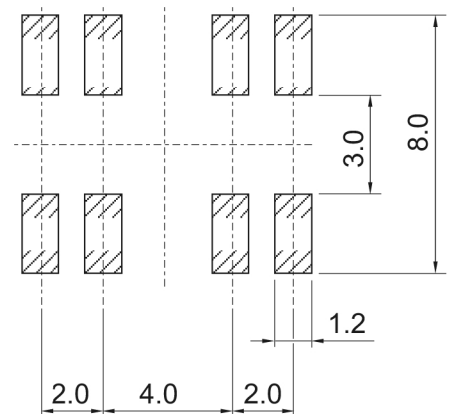
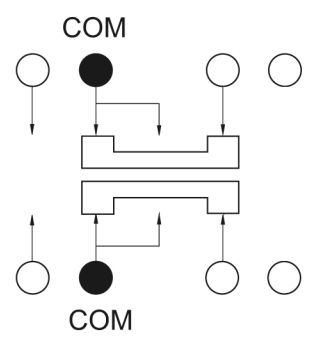


P.C. LAYOUT



SCHEMATIC



Specifications:

- Contact rating: 200mA, 12V DC / 300mA, 6V DC (100mA, 24V DC)
- Contact resistance: <70mOhm
- Insulation resistance: >100MOhm at 500V DC
- Dielectric strength: 500V, 50Hz for the duration of 1 minute
- Mechanical life: min. 10 000 cycles
- Contact timing: non-shorting
- Switching function: on - on
- Operating temperature: -10°C to +60°C
- Material: Terminal: brass strip, silver plated  
Cover: SUS, washing  
Slider: PA46, blue  
Contacts: C7035, silver plated  
Case: PA46, black

Tolerances: up to 10: ±0.2mm above 10-50: ±0.3mm above 50-100: ±0.5mm		Date	Name
Slider position	06/10	dr	
Dimensions	07/09	dr	
Material	06/09	dr	
Operating temperature	11/07	dr	
Material	09/07	dr	
Modifications	Date	Name	

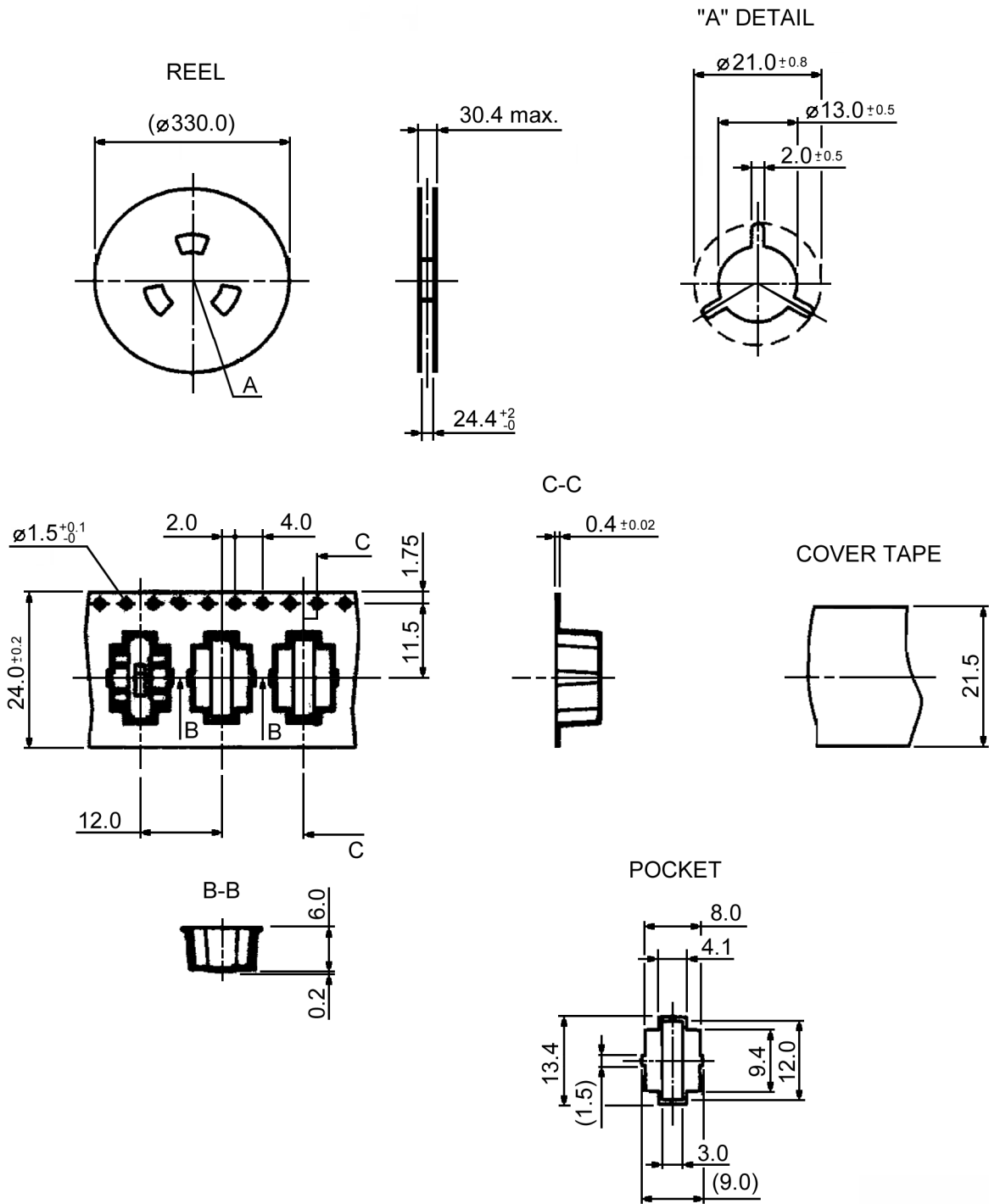
# MMS 228 T

## 30 12 35

**knitter-switch**



Packaging:



Packaging: 900 pcs. / reel



Tolerances: up to 10: ±0.2mm above 10-50: ±0.3mm above 50-100: ±0.5mm	Date	Name	<h1>MMS 228 T</h1>
	09/07	dr	
Modifications	Date	Name	
<b>knitter-switch</b>			<h2>30 12 35</h2>
			Page 3/3