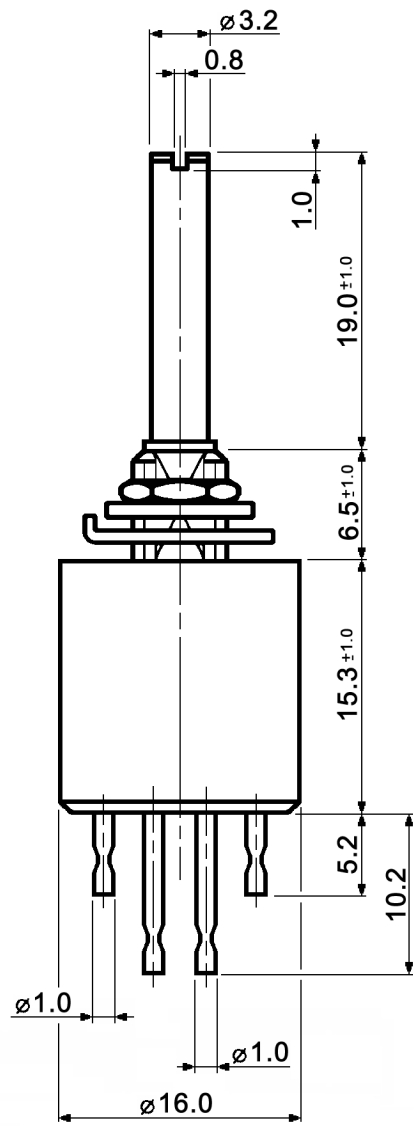
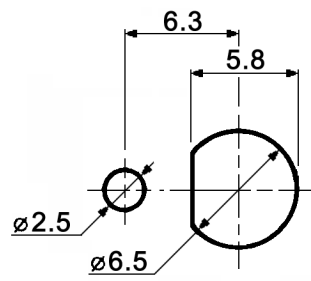


Step angle 30°



Step angle 36°

PANEL CUT-OUT



Tolerances:		Date	Name
		10/09	dr
Modifications	Date	Name	

MR x-y

knitter-switch

30 19 42

Page
1/6

Specifications:

Contact rating: step angle between 2 positions 30°: 0.15A, 125V AC
 0.15A, 24V DC
 step angle between 2 positions 36°: 0.5A, 125V AC
 0.5A, 24V DC

Contact resistance: 10mOhm max.
Insulation resistance: 100MOhm min. at 500V DC
Dielectric strength: 1 000V, 50Hz for the duration of 1 minute
Humidity resistance: 10MOhm after 48hours at 40°C and 95% relative humidity
Operating temperature: -45°C to +110°C
Electrical life: 10 000 - 30 000 cycles depending on load
Contact timing: non-shorting
Mounting: bushing 1/4-40 THD, key 8mm
Material: Contacts: coin silver
 Body: diallyl phthalate
 Cover: aluminium
 Shaft: brass, nickel plated

x	y	Poles	Positions	Step angle
1	10	1	10	36°
1	10C	1	10*	36°
2	5	2	5	36°
3	3	3	3	36°
4	2	4	2	36°
1	12	1	12*	30°
2	6	2	6	30°
3	4	3	4	30°
4	3	4	3	30°

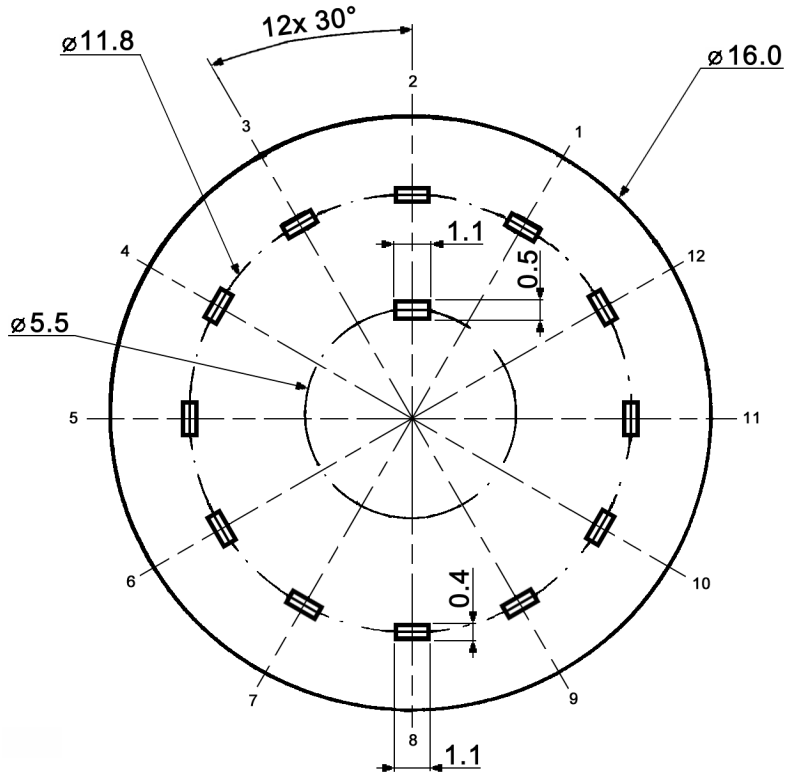
* = without stopper



Tolerances:			Date	Name	MR x-y	30 19 42	knitter-switch	Page
			10/09	dr				2/6
Modifications	Date	Name						

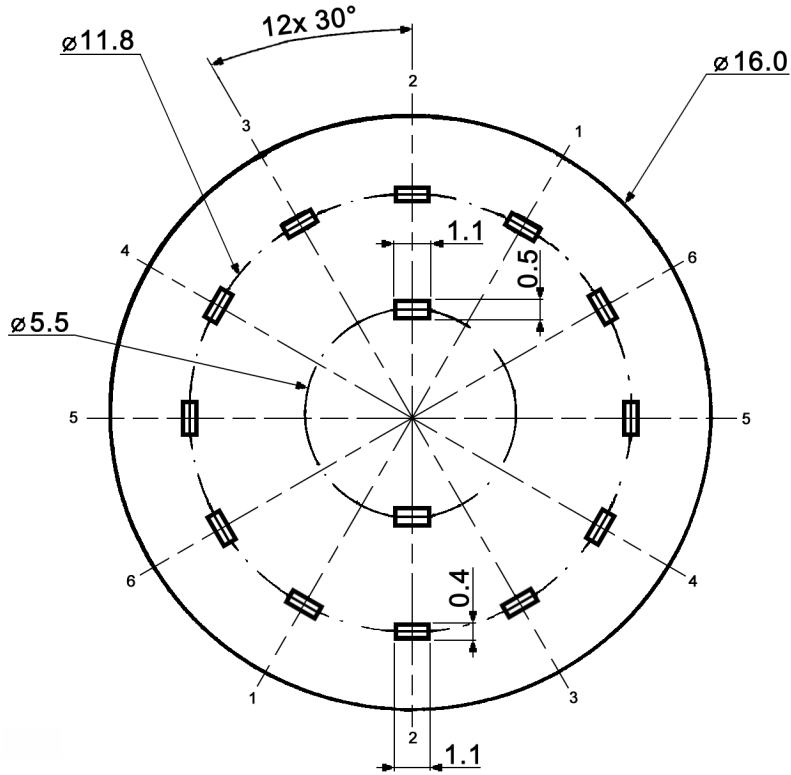
MR 1-12:

VIEW OF CONTACT SIDE



MR 2-6:

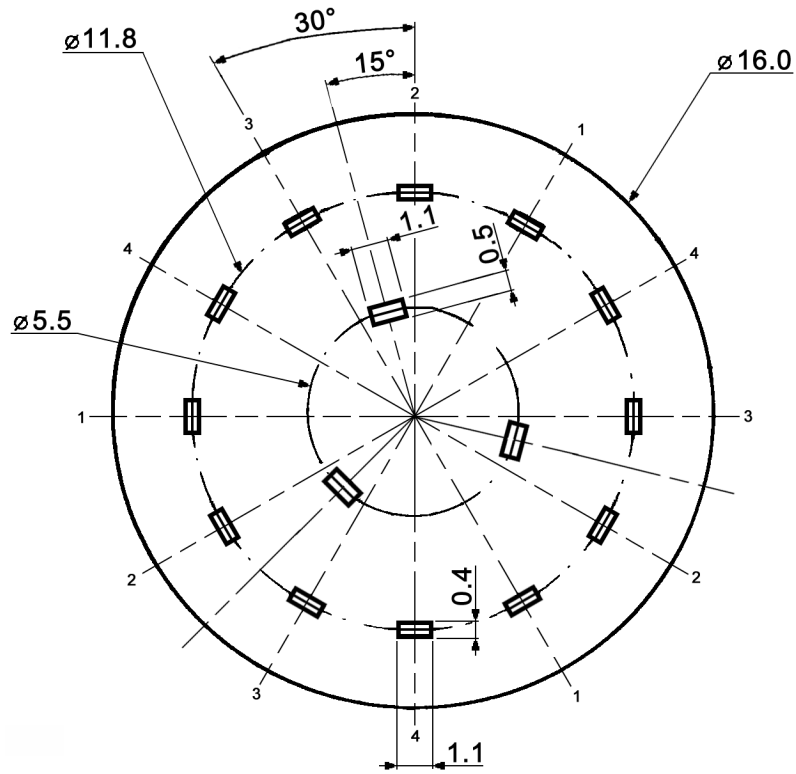
VIEW OF CONTACT SIDE



Tolerances:			Date	Name	MR x-y	30 19 42	Page 3/6
			10/09	dr			
			knitter-switch				
Modifications	Date	Name					

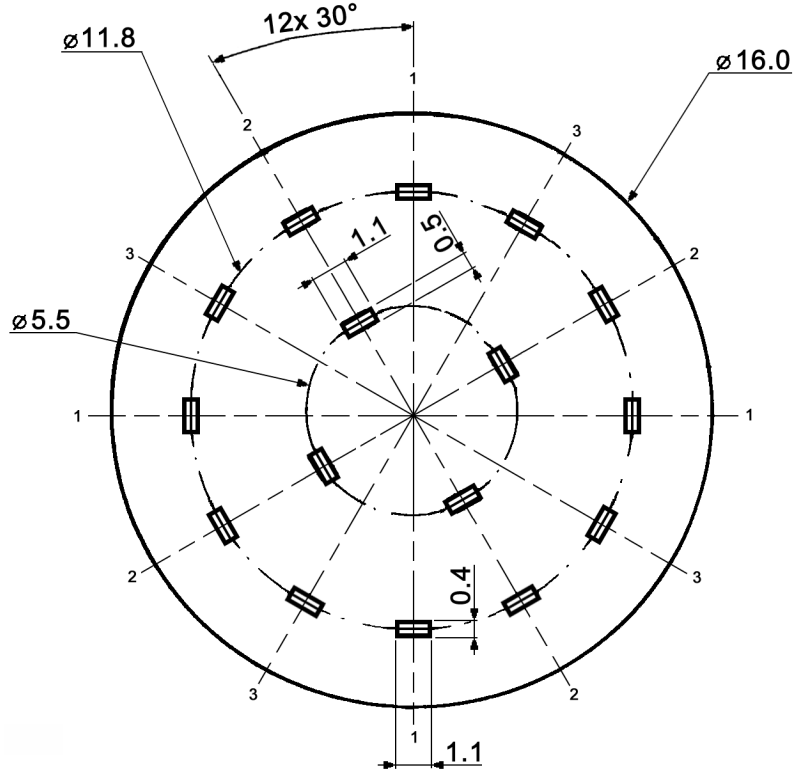
MR 3-4:

VIEW OF CONTACT SIDE



MR 4-3:

VIEW OF CONTACT SIDE



Tolerances:			Date	Name
			10/09	dr

MR x-y

knitter-switch

30 19 42

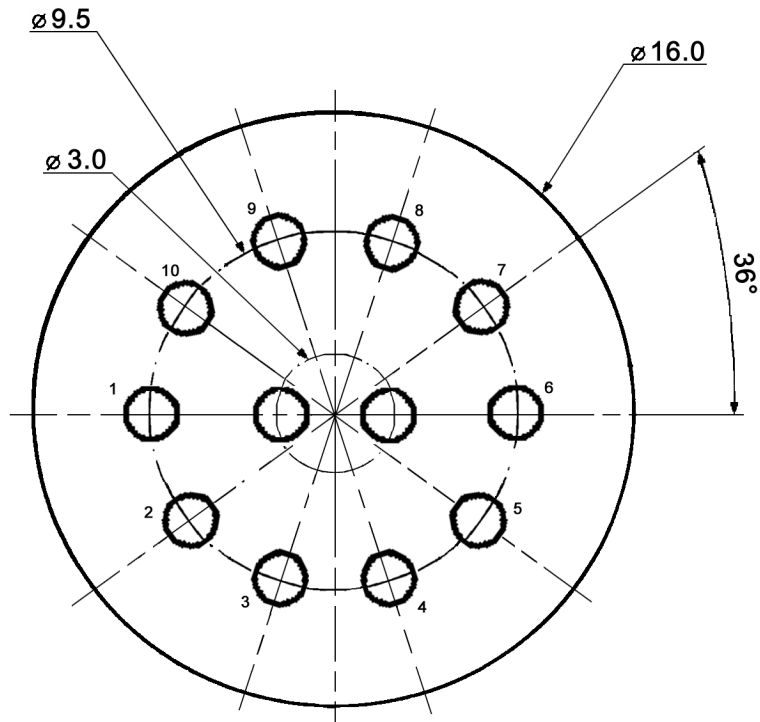
Page

4/6

Modifications	Date	Name

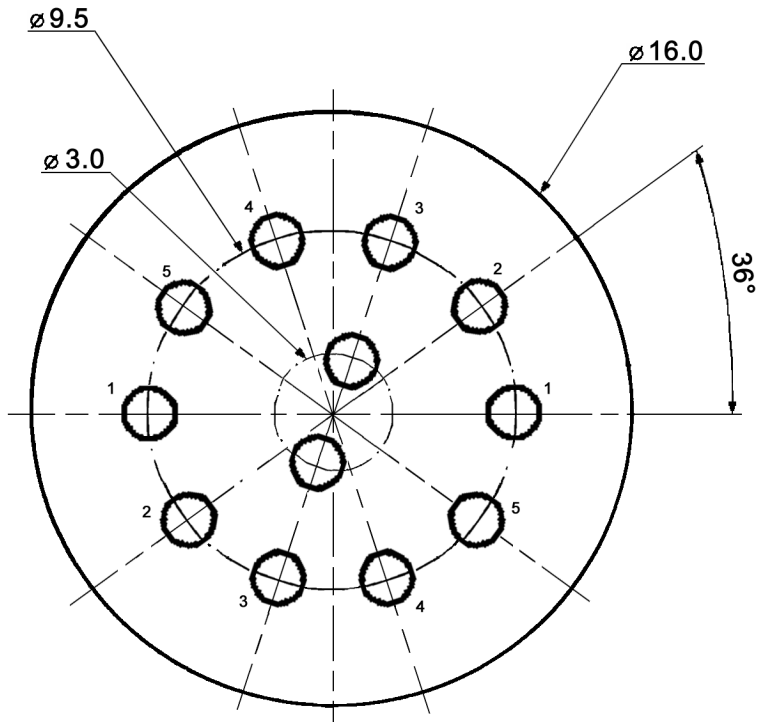
MR 1-10:

VIEW OF CONTACT SIDE



MR 2-5:

VIEW OF CONTACT SIDE



Tolerances:	Date	Name
	10/09	dr

MR x-y

knitter-switch

30 19 42

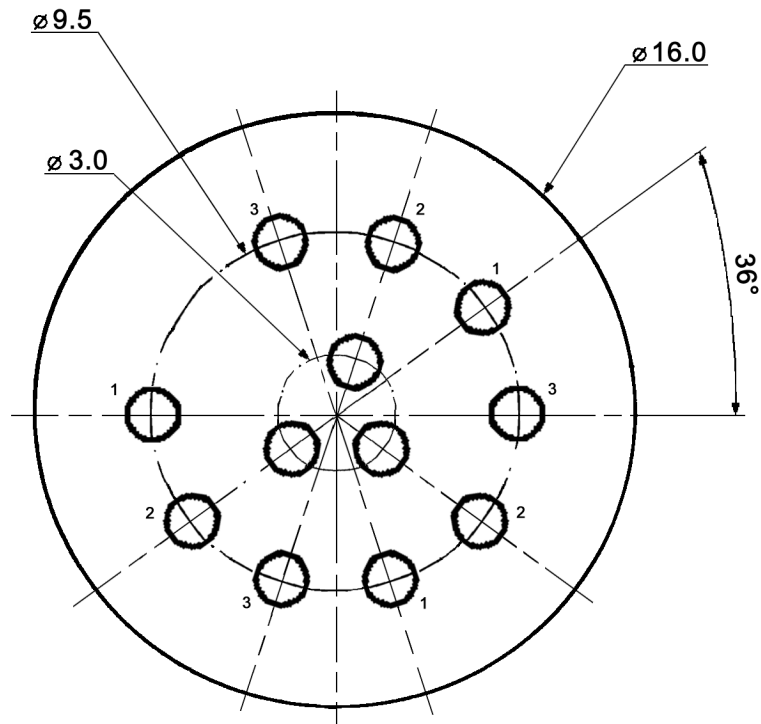
Page

5/6

Modifications	Date	Name
---------------	------	------

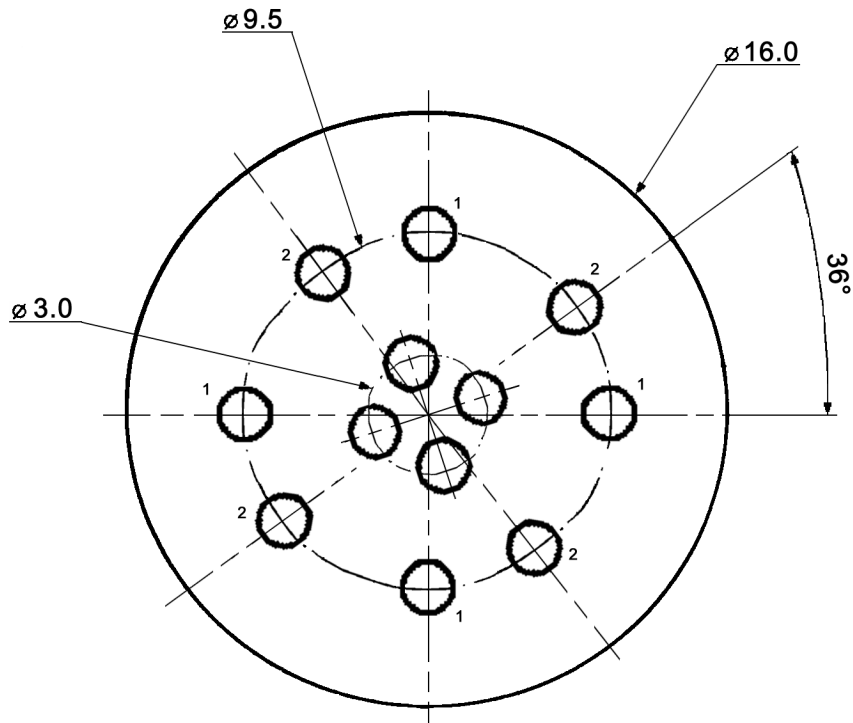
MR 3-3:

VIEW OF CONTACT SIDE



MR 4-2:

VIEW OF CONTACT SIDE



Tolerances:			Date	Name	MR x-y
			10/09	dr	
			knitter-switch		30 19 42
Modifications			Date	Name	Page 6/6