

# CLIFF

## SEALED 1/4" MINI JACK MODEL S1K



S1KA



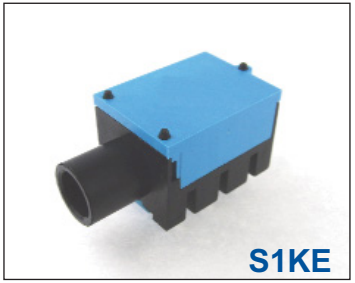
S1KB



S1KC



S1KD



S1KE

Many types of professional music equipment nowadays use high power components, and need to be cooled by fans. Fans draw in dust and pollutants which can adversely affect the contacts of conventional jacks, with exposed contacts.

S1K avoids possibility of contamination of contacts by means of a sealing cover over the top and bottom of the jack. The height profile and PCB fitting are the same as our standard S1 jacks.

S1K is available with switched mono /BNB or stereo /BBB configurations and types of front bush. Other contact configurations can be made subject to quantity. Plastic nut is standard.

Standard colour is all black. Other colours to order only.

### MODELS

**S1KA** Standard fully threaded for plastic or metal nut.

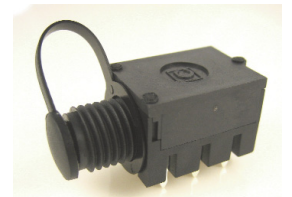
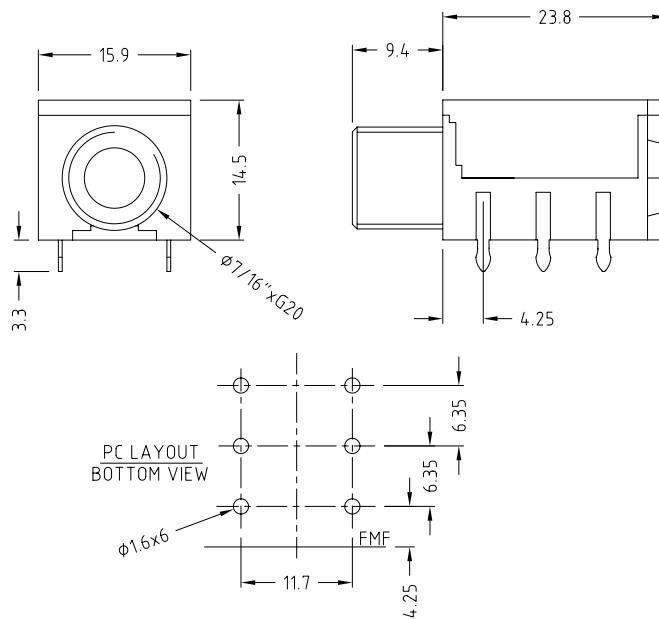
**S1KB** SPN - Partially reduced nose. Nuts not usually used, but are supplied.

**S1KC** Full thread with discrete bright insert and isolated RFI washer

**S1KD** Full thread with prominent bright insert. RFI washer connected to inserted jack plug.

**S1KE** Non thread bush. Nuts not used.

Retained hole plug for front is available as an accessory.



Black socket showing hole plug.

### SPECIFICATION

Withstand Voltage: 2000VDC Min.

Maximum Current: 5A.

Temperature Rating: -10°C ~ +70°C

Life >10000 operations: Contact resistance <100mΩ

Initial Contact Resistance: <50mΩ

IP Rating (with plug in): IP50

RoHS / REACH compliant

All models, except type E, supplied with plastic nut and washer  
100 / Tray / 1000 / Carton

Order as: S1K[ ] / BNB - Mono  
Type ↑ / BBB - Stereo

For further information, contact: [sales@cliffuk.co.uk](mailto:sales@cliffuk.co.uk)