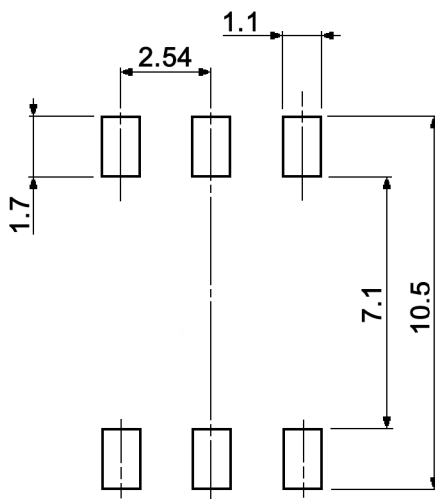


YM = date code

SURFACE MOUNT PAD LAYOUT



Y Manufacturing year

8	2008
9	2009
0	2010
1	2011
2	2012

M Manufacturing month

1	January
...	...
9	September
0	October
N	November
D	December



Tolerances: ±0.5mm		Date	Name
		10/96	ey
Date code	03/10	dr	<b>knitter-switch</b>
Dimensions	09/08	dr	
Modifications	Date	Name	

**SMR 13 000 / SMR 14 000**

**20 26 06**

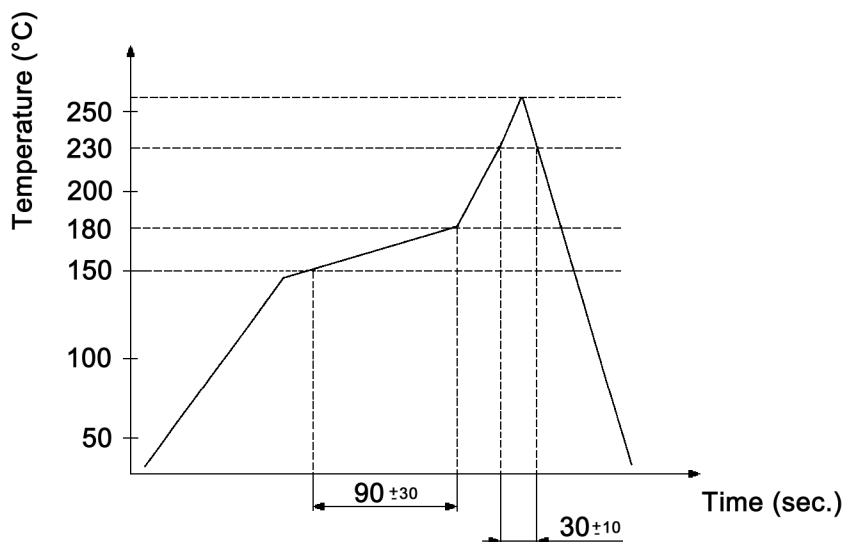
Page

1/2

**Specifications:**

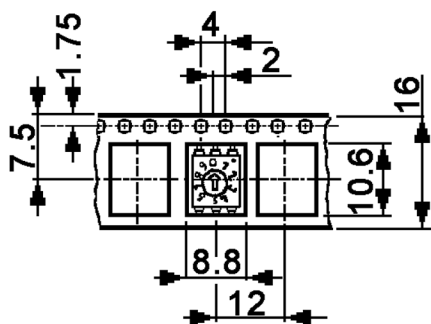
**Contact rating:** max.: non-switching: 100mA, 50V DC  
 switching: 100mA, 5V DC  
 min.: 1µA, 20mV AC or DC  
**Contact resistance:** 200mOhm max. at 1.5mA; 0.2mV AC (1kHz)  
**Insulation resistance:** 1 000MOhm min. at 100V DC  
**Dielectric strength:** 250V AC for 1 minute  
**Operating temperature:** -25°C to +75°C  
**Storage temperature:** -40°C to +85°C  
**Mechanical life:** 20 000 cycles min.  
**Operating force:** 24.5mN.m max.  
**Material:** Terminal: phosphor bronze, gold over nickel plated  
 Base: liquid crystal polymer, black  
 Frame: stainless steel  
 Rotor: polyamide resin, white  
 Fixed contact: phosphor bronze, gold over nickel plated  
 Movable contact: beryllium copper, gold over nickel plated

**Soldering conditions:**

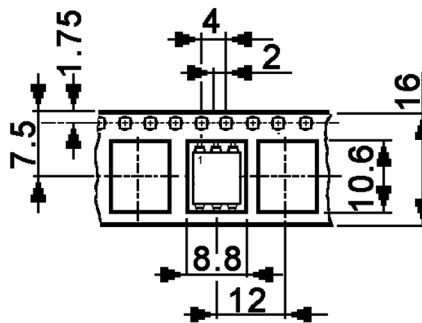


reflow soldering: 230°C, 30sec.; peak temperature: 260°C, 10sec. max.

**Packaging:**



T&R packaging SMR 13xxx T



T&R packaging upside down SMR 13xxx T-U



Tolerances: ±0.5mm	Date	Name
	10/96	ey
Dimensions	09/08	dr
Modifications	Date	Name

**SMR 13 000 / SMR 14 000**

**knitter-switch**

**20 26 06**

Page

2/2