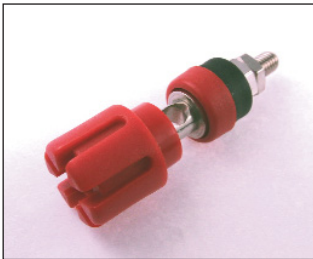


# CLIFF

## TERMINAL SERIES TP/6



**CL159709**  
TP/6S BLACK ASSEMBLED



**CL159710**  
TP/6S BLACK UNASSEMBLED



**CL159719**  
TP/6S RED ASSEMBLED



**CL159720**  
TP/6S RED UNASSEMBLED



**CL159730**  
TP/6S BLUE ASSEMBLED



**CL159729**  
TP/6S BLUE UNASSEMBLED



**CL159740**  
TP/6S GREEN ASSEMBLED



**CL159741**  
TP/6S GREEN UNASSEMBLED



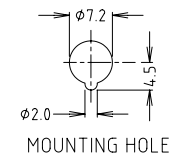
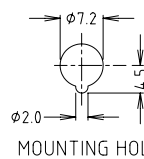
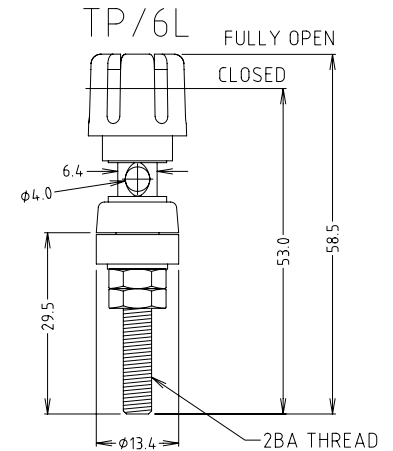
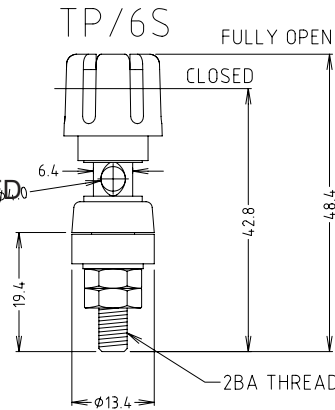
**CL159775**  
TP/6S YELLOW ASSEMBLED



**CL159774**  
TP/6S YELLOW UNASSEMBLED



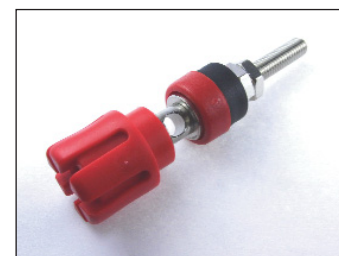
**CL1595**  
TPP/1 TERMINAL MOUNTING PLATE



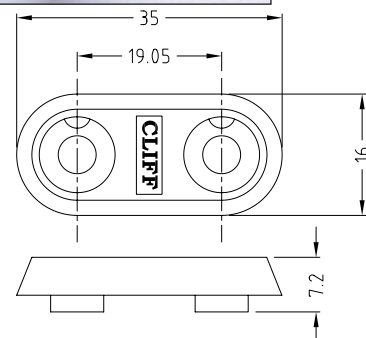
Current Rating: 30A.  
Flammability: Min UL94HB  
Unassembled parts come with top and bottom insulators, nuts and washers bulk packed.



**CL159715**  
TP/6L BLACK ASSEMBLED



**CL159725**  
TP/6L RED ASSEMBLED



All models can be supplied with either gold or nickel plated finish. Customised versions available dependant on MOQ's.

For further information, contact: [sales@cliffuk.co.uk](mailto:sales@cliffuk.co.uk)