

DATA SHEET

Model No.

DS-256 Push Button Switch

Button: Red, Black & Blue

Specifications :

Rating : 3A.125V. AC

Circuit : OFF-ON SPST (Alternate)

Contact Resistance : 20m Ω or less

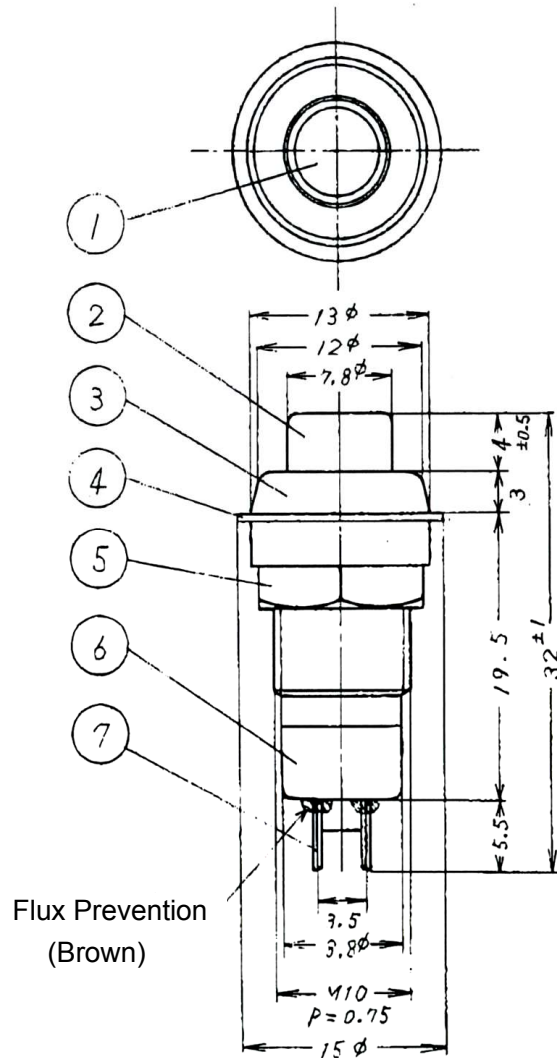
Insulation Resistance : DC500V Megger
100M Ω or more

Voltage Breakdown : AC1000V (1 minute)

Operating Temp. -10 $^{\circ}$ C to +55 $^{\circ}$ C

Construction :

	Materials	Finish
① Panel	Al P	Each Color
② Button	ABS	Black
③ Body	POM	Black
④ Washer	Fiber	Black
⑤ Hex Nut	POM	Black
⑥ Base	PM-EG	Black
⑦ Terminals	Cup	Ag Plating



Unit : mm