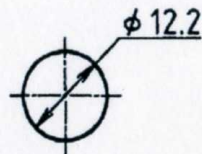
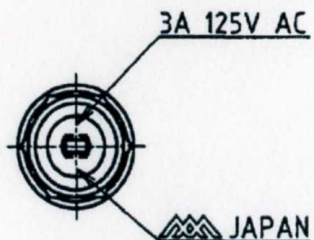
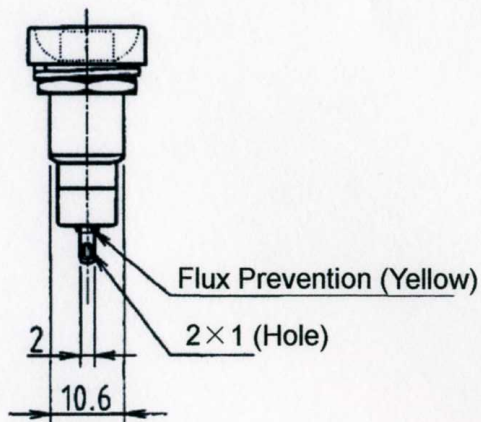


Unit : mm



Mounting Hole  
Panel Thickness: 1~7mm



## DATA SHEET

Model No.  
DS-260 Push Button Switch  
Button: Red, Black & Blue

### Specifications :

Rating : 3A.125V. AC  
Circuit : OFF-(ON) SPST (Momentary)  
Contact Resistance : 20mΩ or less  
Insulation Resistance : DC500V Megger  
100MΩ or more  
Voltage Breakdown : AC1000V (1 minute)

### Construction :

	Materials	Finish
① Panel	Al P	Each Color
② Button	ABS	Black
③ Body	POM	Black
④ Washer	Copper	Chromate
⑤ Nut	Copper	Ep-Fe/Ni
⑥ Base	Melamine	White
⑦ Terminals	Copper	Ep-Cu/Ag



MIYAMA ELECTRIC CO., LTD. TOKYO JAPAN