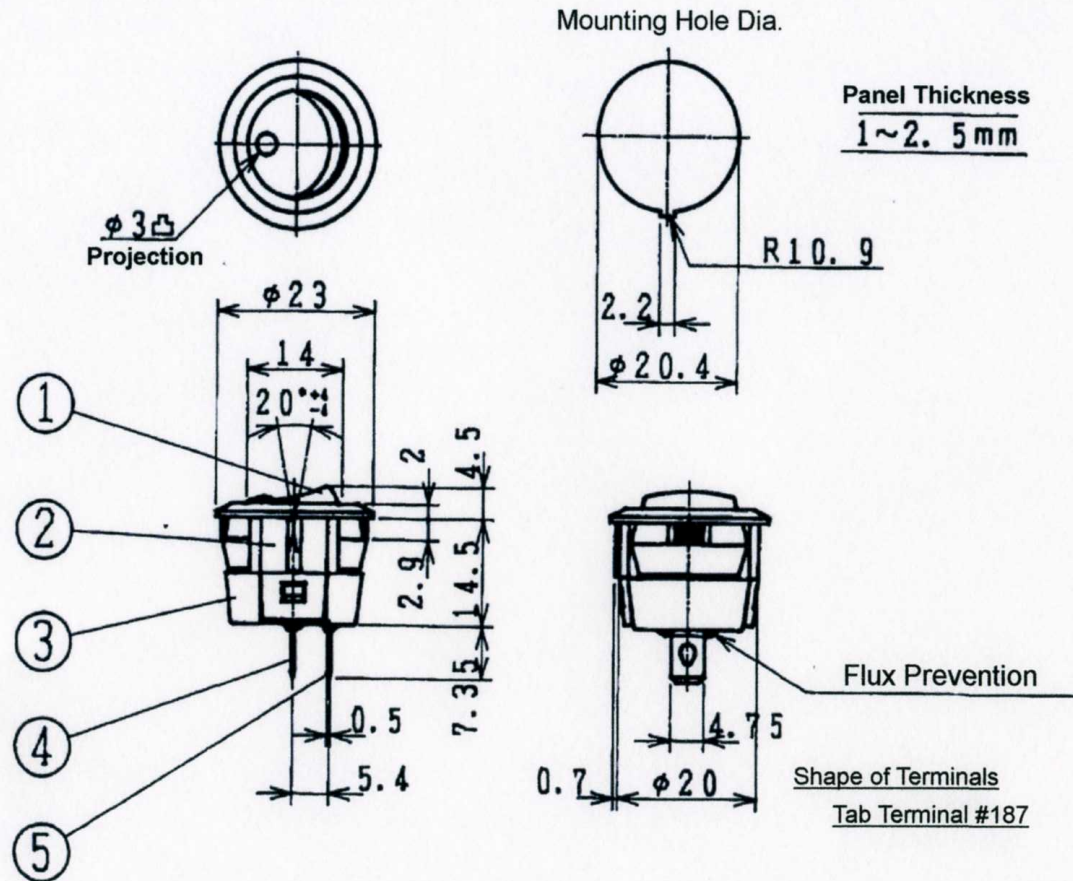


# DATA SHEET

Unit : mm



Model No.  
DS-059K-BS Rocker Switch

Specifications :

Rating : 5A.125V. AC  
3A.250V. AC

Circuit : OFF-ON SPST

Contact Resistance : 20mΩ or less

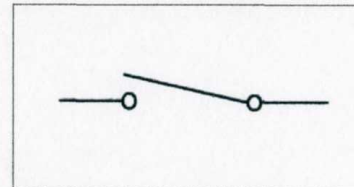
Insulation Resistance : DC500V Megger  
100MΩ or more

Voltage Breakdown : AC1500V (1 minute)

Construction :

	Materials	Finish
① Knob	ABS	Red, Black
② Case	ABS	Black
③ Base	PF	Black
④ Terminal (A)	C2680R	Ep-Cu/Ag
⑤ Terminal (B)	C2680R	Ep-Cu/Ag

Circuit structure diagram :



MIYAMA ELECTRIC CO., LTD. TOKYO JAPAN