

DATA SHEET

Model No.
DS-059F-ON Rocker Switch

Specifications :

Rating : 5A.125V. AC
3A.250V. AC

Circuit : ON-ON DPDT

Contact Resistance : 20mΩ or less

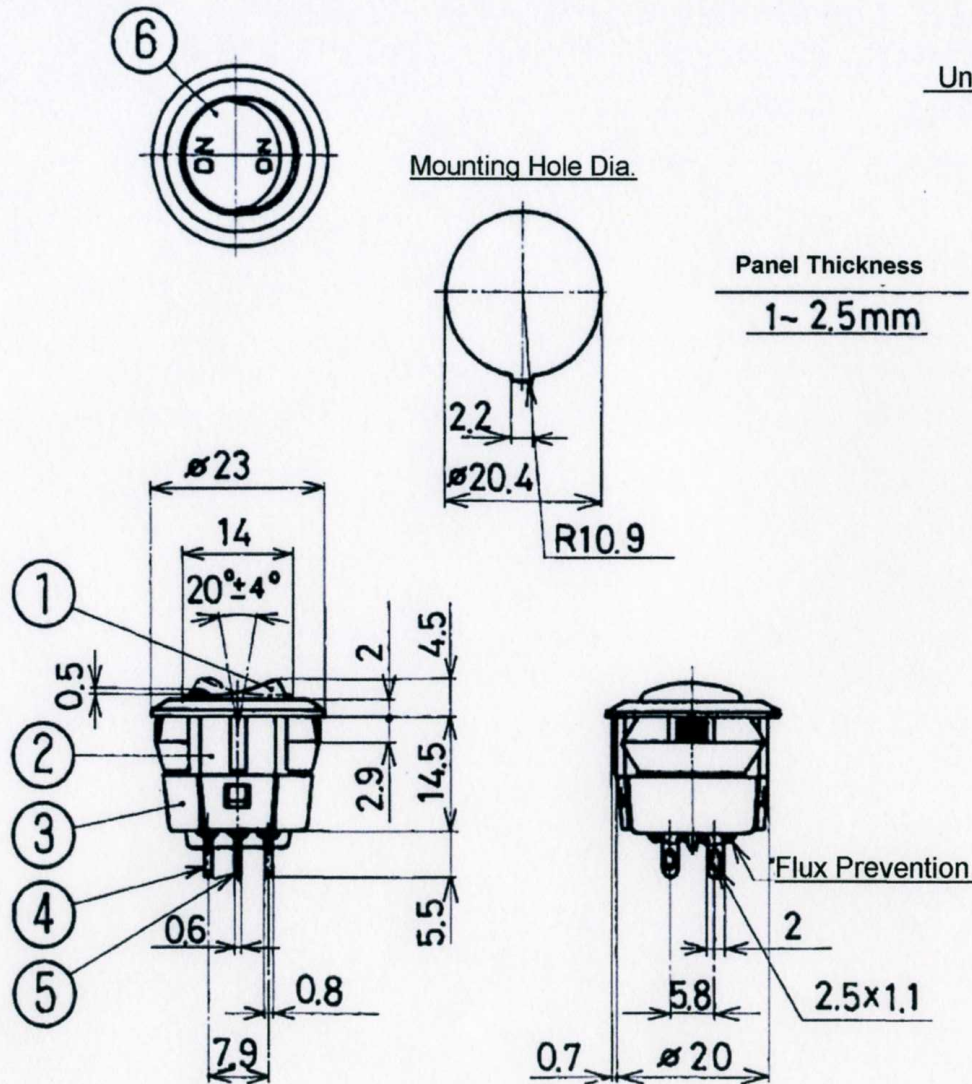
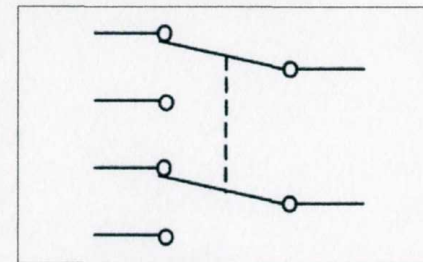
Insulation Resistance : DC500V Megger
100MΩ or more

Voltage Breakdown : AC1500V (1 minute)

Construction :

	Materials	Finish
① Knob	ABS	Red, Black
② Case	ABS	Black
③ Base	PF	Black
④ Terminal (A)	C1100R	MB Ag
⑤ Terminal (B)	C1100R	MB Ag
⑥ ON-ON Knob	ABS	Red, Black

Circuit structure diagram :



MIYAMA ELECTRIC CO., LTD. TOKYO JAPAN