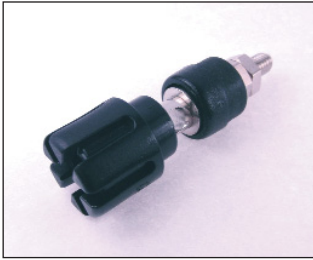


CLIFF

TERMINAL SERIES TP/6



CL159709
TP/6S BLACK ASSEMBLED



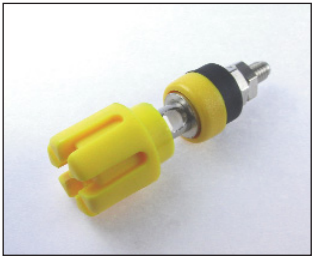
CL159710
TP/6S BLACK UNASSEMBLED



CL159719
TP/6S RED ASSEMBLED



CL159720
TP/6S RED UNASSEMBLED



CL159730
TP/6S BLUE ASSEMBLED



CL159729
TP/6S BLUE UNASSEMBLED



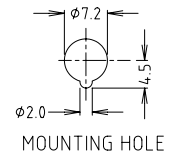
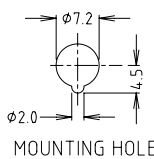
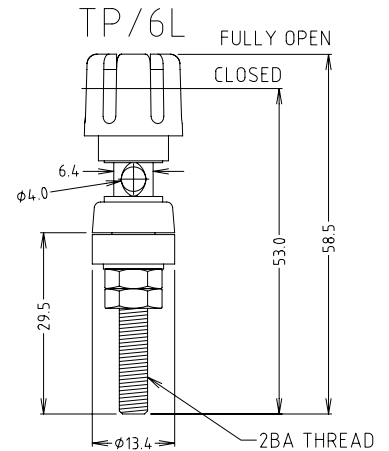
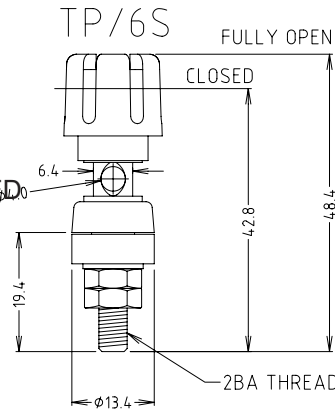
CL159740
TP/6S GREEN ASSEMBLED

CL159741
TP/6S GREEN UNASSEMBLED

CL159775
TP/6S YELLOW ASSEMBLED

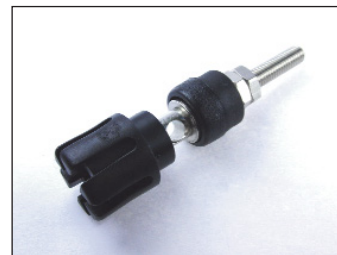
CL159774
TP/6S YELLOW UNASSEMBLED

CL1595
TPP/1 TERMINAL MOUNTING PLATE

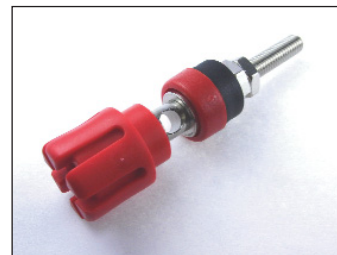


Current Rating: 30A.
Flammability: Min UL94HB

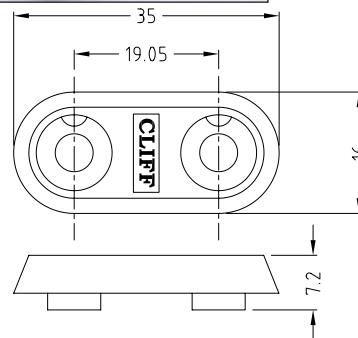
Unassembled parts come with top and bottom insulators, nuts and washers bulk packed.



CL159715
TP/6L BLACK ASSEMBLED



CL159725
TP/6L RED ASSEMBLED



All models can be supplied with either gold or nickel plated finish. Customised versions available dependant on MOQ's.

For further information, contact: sales@cliffuk.co.uk

Cliff Electronic Components Limited,
76 Holmethorpe Avenue, Holmethorpe Ind. Estate,
Redhill, Surrey RH1 2PF U.K.
Tel: +44 (0)1737 771375 Fax: +44 (0)1737 766012



Visit us online at:

www.cliffuk.co.uk