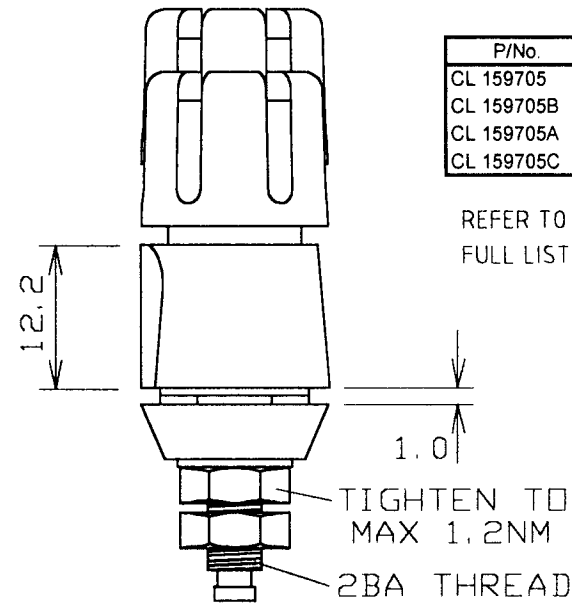
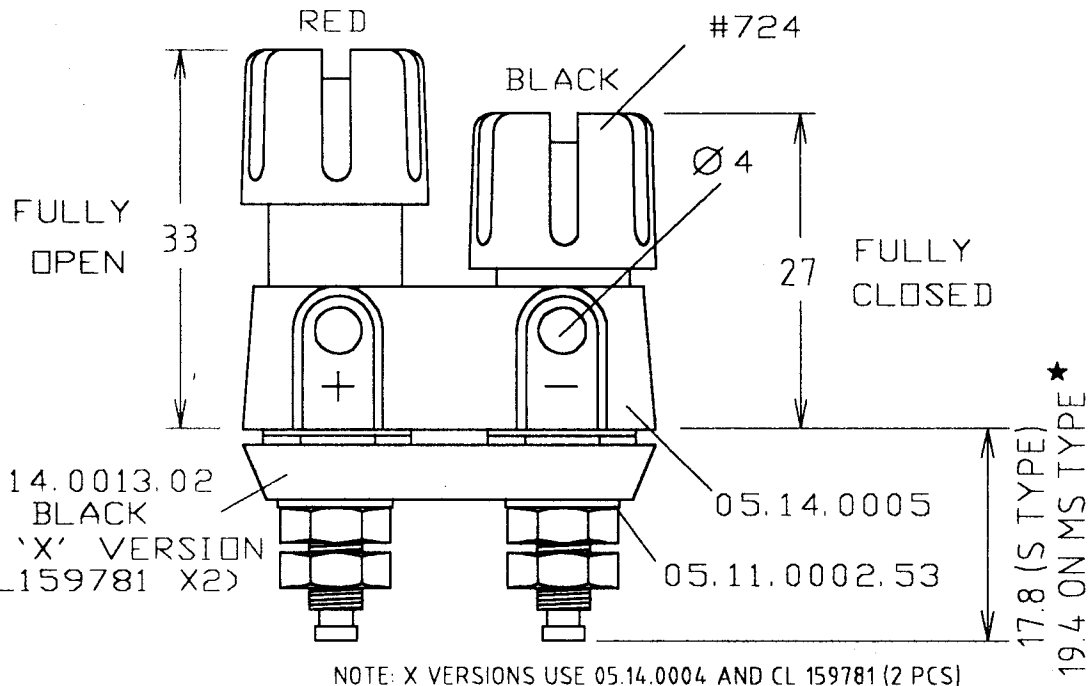
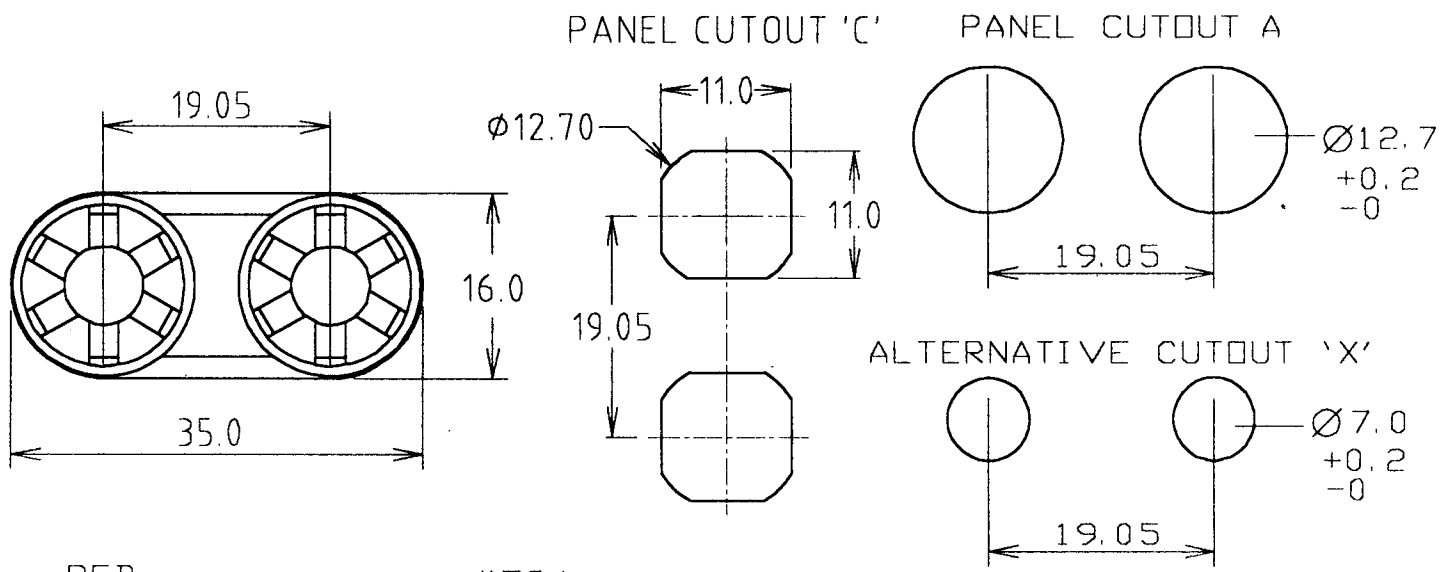


ISS	AMEND	DATE
1	REDRAWN #725	13/5/92
4	WIRE SIZE ADD	23/2/94
5	MS NOTE ADDED	28/4/94
6	TOP INS AMEND	22/8/95
7	Y NOTE ADDED	28/9/95
8	+ & - REVERSED	6/3/96
9	CUTOUT C ADDED	21/4/97
10	NEW BACK INS.	19/8/97
11	CUTOUT X AMEND	16/10/97
12	MSN DELETED	20/4/00



VARIANTS

P/No.	MODEL	CUTOUT
CL 159705	TPP/4	A
CL 159705B	TPP/4X	X
CL 159705A	TPP/4 GOLD	A
CL 159705C	TPP/4X GOLD	X

REFER TO DRWG CL 159705A FOR FULL LIST OF P/Nos.

**Tolerance**

NO DEC. PLACE ± 0.5  
 1 DEC. PLACE ± 0.25  
 2 DEC. PLACE ± 0.1  
 DIA. HOLES ± 0.1  
 ANGLES ± 1/2°  
 UNLESS OTHERWISE STATED

NOTE: X VERSIONS USE 05.14.0004 AND CL 159781 (2 PCS) TERMINAL POSTS DIMS AS PER TP6/S.  
 NOTE: C VERSION USES 05.14.0012.02 AND 05.14.0013.02  
 NOTE ★: MS TYPE DOES NOT HAVE WIRE WRAP END

NOTE: Y VERSIONS HAVE BLOCKED TOP HOLE.

MAX WIRE SIZE 6mm<sup>2</sup>

WHERE USED F.R.  
 SCALE N.T.S.