

Solid-state relays - ST-OE2- 24DC/ 48DC/100 - 2911692

Please be informed that the data shown in this PDF Document is generated from our Online Catalog. Please find the complete data in the user's documentation. Our General Terms of Use for Downloads are valid (<http://download.phoenixcontact.com>)



Plug-in input solid-state relay, with LED and protective circuit in input and output circuits, input: 24 V DC, output: 8 - 48 V DC/max. 100 mA, can be plugged into basic terminal blocks

The illustration shows version ST-OV 2- 5 DC/ 48 DC/100

Key commercial data

package_quantity	10
GTIN	4017918079710

Technical data

Note:

Utilization restriction	EMC: class A product, see manufacturer's declaration in the download area
-------------------------	---

Dimensions

Width	14.6 mm
Height	33 mm
Depth	66.5 mm

Ambient conditions

Ambient temperature (operation)	-20 °C ... 60 °C
Ambient temperature (storage/transport)	-20 °C ... 70 °C

Input data

Nominal input voltage U_N	24 V DC \pm 10%
Switching threshold "0" signal in reference to U_N	\leq 0.4
Switching threshold "1" signal in reference to U_N	\geq 0.8
Typical input current at U_N	9 mA
Typical response time	20 μ s
Typical turn-off time	100 μ s
Status display	Yellow LED
Type of protection	Protection against polarity reversal
Type of protection	Surge protection
Protective circuit/component	Polarity protection diode
Protective circuit/component	RC element
Transmission frequency	500 Hz

Solid-state relays - ST-OE2- 24DC/ 48DC/100 - 2911692

Technical data

Output data

Output voltage range	8 V DC ... 48 V DC
Limiting continuous current	100 mA
Voltage drop at max. limiting continuous current	0.9 V
Output circuit	2-wire, floating
Type of protection	Protection against polarity reversal
Type of protection	Surge protection
Protective circuit/component	Polarity protection diode

General

Test voltage input/output	2.5 kV AC
Mounting position	Any
Standards/regulations	DIN VDE 0110

classifications

eCl@ss

eCl@ss 4.0	27371102
eCl@ss 4.1	27371102
eCl@ss 5.0	27371001
eCl@ss 5.1	27371001
eCl@ss 6.0	27371001
eCl@ss 7.0	27371001
eCl@ss 8.0	27371001

ETIM

ETIM 2.0	EC001504
ETIM 3.0	EC001504
ETIM 4.0	EC001504
ETIM 5.0	EC001504

UNSPSC

UNSPSC 6.01	30211916
UNSPSC 7.0901	39121542
UNSPSC 11	39121542
UNSPSC 12.01	39121542
UNSPSC 13.2	39121542

approvals

GOST / GOST /

Approval details

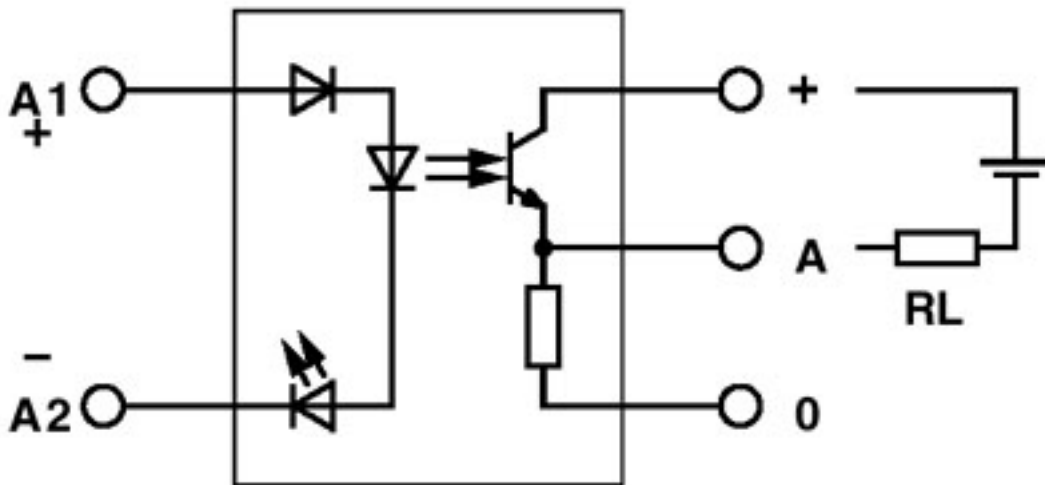
Solid-state relays - ST-OE2- 24DC/ 48DC/100 - 2911692

approvals



Drawings

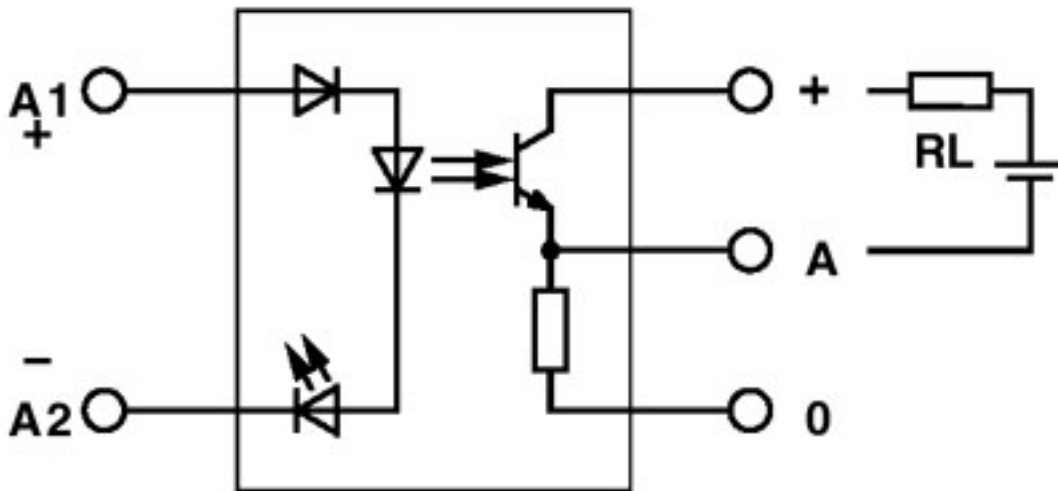
Circuit diagram



Output: 2-wire, floating, plus switching

Solid-state relays - ST-OE2- 24DC/ 48DC/100 - 2911692

Circuit diagram



Output: 2-wire, floating, minus switching

Solid-state relays - ST-OE2- 24DC/ 48DC/100 - 2911692

Circuit diagram

