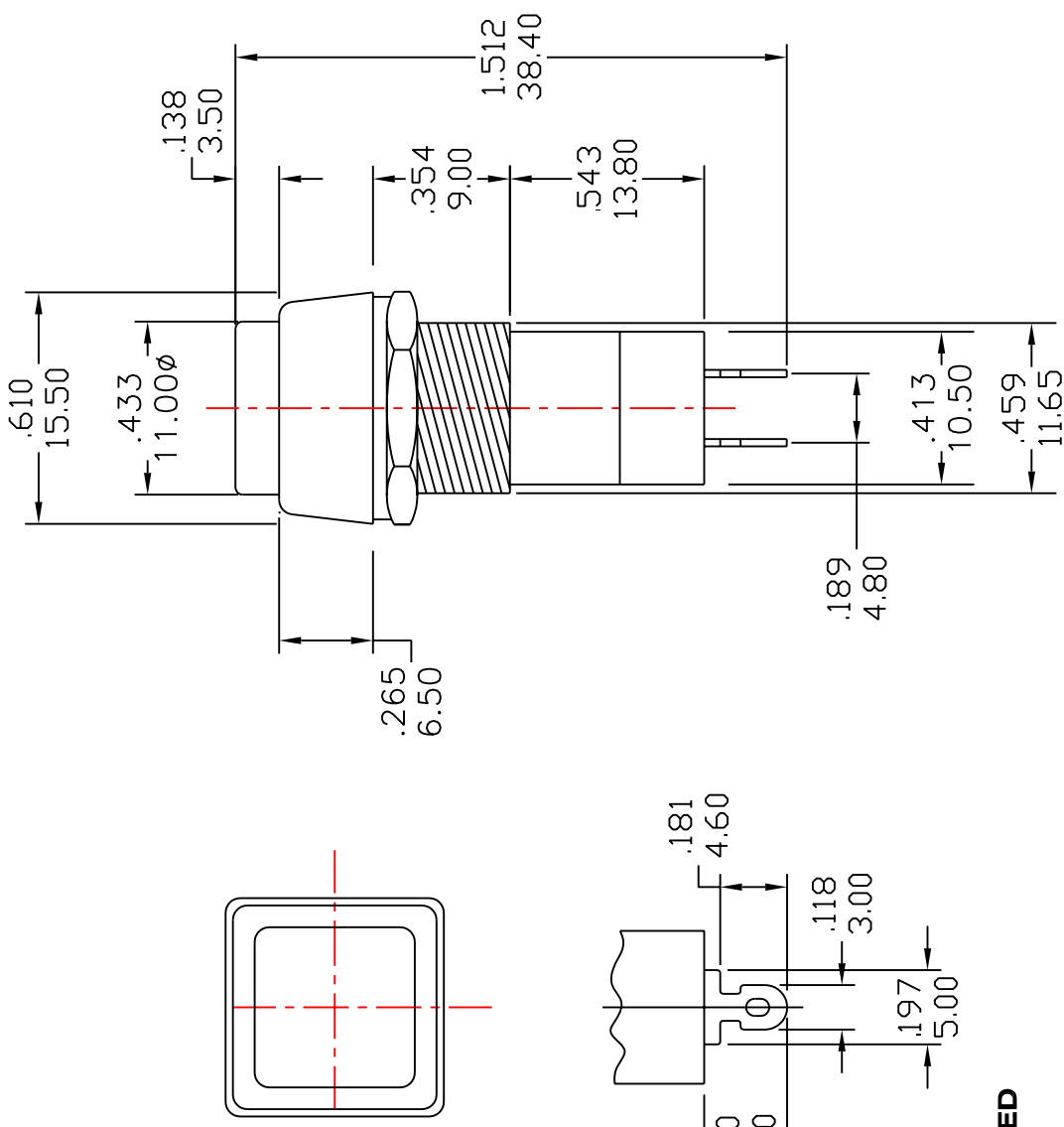


R18-23 DIMENSIONS



**RATING : 1A 250VAC/ 3A 125VAC**  
**DIELECTRIC STRENGTH : 1000 VAC 1 minute**  
**CONTACT RESISTANCE : 30mΩ (max)**  
**INSULATION RESISTANCE :**  
**100 MΩ min (at 500 VDC)**  
**ELECTRICAL LIFE : 30,000 (min)**  
**MECHANICAL LIFE : 50,000 (min)**  
**PUSH FORCE : >0.3kg**

**MATERIAL :**  
**BUTTON : ABS**  
**CASE : PHENOLIC**  
**TERMINAL : COPPER, ALLOY (SILVER or GOLD) PLATED**  
**CONTACT : SILVER PLATED**  
**WASHER NUT : STEEL, NICKEL PLATED**  
**SPRING : STAINLESS STEEL WIRE**

Model No.	TYPE	nominal tolerance		part no. R18-23	material	
		range	tolerance			check
R18-23A	OFF-ON	0-1	±0.10	scale 2:1 unit m/m (inch)	rev. 2	
R18-23B	OFF-(ON)	1-4	±0.20		drawer	Jessica
R18-23C	ON-(OFF)	4-16	±0.30		date	2005/03/21