

Solid-state relay module - PLC-PT-EIK 1-SVN 24P/P - 2900397

Please be informed that the data shown in this PDF Document is generated from our Online Catalog. Please find the complete data in the user's documentation. Our General Terms of Use for Downloads are valid (<http://download.phoenixcontact.com>)



Single-channel NAMUR module with 24 V DC input voltage

The illustration shows the versions with screw connection

Product Features

- Connection option for PLC-V8 adapter
- Stabilized supply voltage for the NAMUR proximity switch
- 24 V/50 mA digital output for directly connecting programmable logic controllers



Key commercial data

package_quantity	10
GTIN	4046356506779

Technical data

Note:

Utilization restriction	EMC: class A product, see manufacturer's declaration in the download area
--------------------------------	---

Dimensions

Width	6.2 mm
Height	80 mm
Depth	86 mm

Ambient conditions

Ambient temperature (operation)	-25 °C ... 50 °C
Ambient temperature (storage/transport)	-40 °C ... 85 °C
Degree of protection	IP20

Input data

Name	Supply
Nominal input voltage U_N	24 V DC $\pm 20\%$
Input voltage range in reference to U_N	0.8 ... 1.2
Typical input current at U_N	approx. 14 mA
Max. current consumption	approx. 70 mA (at 50 mA output current)

Solid-state relay module - PLC-PT-EIK 1-SVN 24P/P - 2900397

Technical data

Input data

Operating voltage display	Green LED
Type of protection	Protection against polarity reversal
Type of protection	Surge protection
Protective circuit/component	Polarity protection diode
Protective circuit/component	Suppressor diode
Name	Control circuit
Nominal input voltage U_N	8.2 V DC $\pm 10\%$
Type of protection	Surge protection
Protective circuit/component	Suppressor diode
Non-load voltage	8.2 V DC $\pm 10\%$
Switching point	≥ 2.1 mA (In conductive state)
Switching point	≤ 1.2 mA (In blocking state)
Switching point	6.3 mA ... 10 mA (in the event of a short-circuit)
Switching point	0 mA ... 0.35 mA (In the event of a wire break)
Switching hysteresis	approx. 0.2 mA
Internal resistance	approx. 1 k Ω
Cable length	< 30 m

Output data

Name	Signal output
Output nominal voltage	≤ 100 mV (In conductive state)
Output nominal voltage	($U_{VN} - U_R$; in blocking state)
Limiting continuous current	50 mA
Transmission frequency	approx. 350 Hz
Voltage drop at max. limiting continuous current	≤ 1.5 V (U_R)
Status display	Green LED
Indication	Red LED
Type of protection	Surge protection
Protective circuit/component	Suppressor diode
Name	Alarm output
Output nominal voltage	($U_{VN} - U_{Res}$)
Limiting continuous current	50 mA
Voltage drop at max. limiting continuous current	≤ 2 V (U_{Res1})
Indication	Red LED
Type of protection	Surge protection
Protective circuit/component	Suppressor diode

Connection data

Connection method	Push-in connection
Stripping length	8 mm
Conductor cross section solid min.	0.14 mm ²
Conductor cross section solid max.	2.5 mm ²

Solid-state relay module - PLC-PT-EIK 1-SVN 24P/P - 2900397

Technical data

Connection data

Conductor cross section stranded min.	0.14 mm ²
Conductor cross section stranded max.	2.5 mm ²
Conductor cross section AWG/kcmil min.	26
Conductor cross section AWG/kcmil max	14

General

Mounting position	Any
Assembly instructions	In rows with zero spacing
Operating mode	100% operating factor
Inflammability class according to UL 94	V0
Name	Air and creepage distances
Standards/regulations	IEC 60664
Standards/regulations	EN 50178
Standards/regulations	IEC 62103
Rated surge voltage / insulation	0.4 kV / Basic isolation
Rated insulation voltage	50 V DC
Pollution degree	2
Surge voltage category	I

classifications

eCl@ss

eCl@ss 4.0	27371102
eCl@ss 4.1	27371102
eCl@ss 5.0	27371001
eCl@ss 5.1	27371001
eCl@ss 6.0	27371001
eCl@ss 7.0	27371001
eCl@ss 8.0	27371001

ETIM

ETIM 2.0	EC001504
ETIM 3.0	EC001504
ETIM 4.0	EC000196
ETIM 5.0	EC000196

UNSPSC

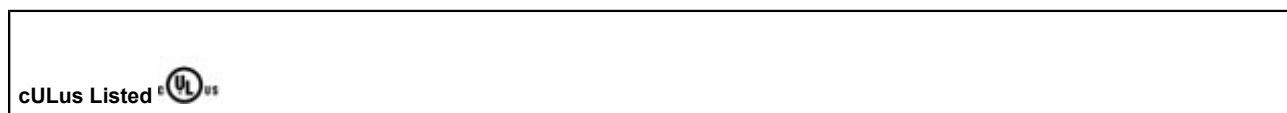
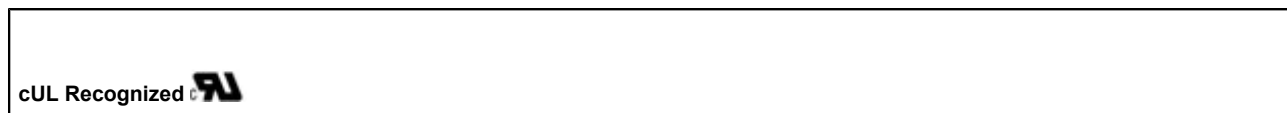
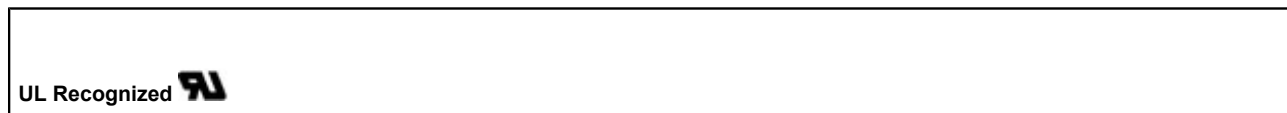
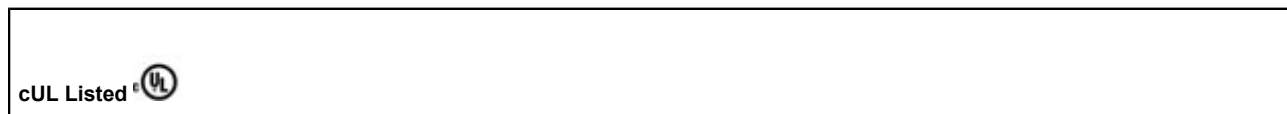
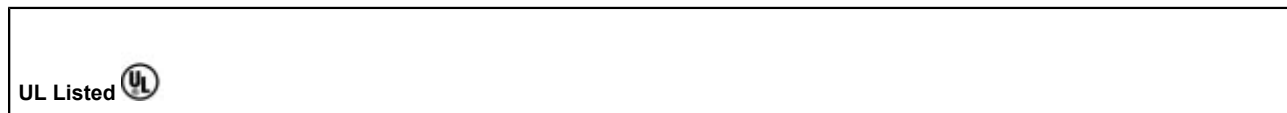
UNSPSC 6.01	30211916
UNSPSC 7.0901	39121542
UNSPSC 11	39121542
UNSPSC 12.01	39121542
UNSPSC 13.2	39121542

Solid-state relay module - PLC-PT-EIK 1-SVN 24P/P - 2900397

approvals

UL Listed / cUL Listed / UL Recognized / cUL Recognized / cULus Recognized / cULus Listed /

Approval details



accessories

Mounting rail

NS 35/ 7,5 V2A UNPERF 2000MM - 0801377



Solid-state relay module - PLC-PT-EIK 1-SVN 24P/P - 2900397

accessories

NS 35/ 7,5 PERF 2000MM - 0801733



NS 35/ 7,5 CU UNPERF 2000MM - 0801762



NS 35/15 UNPERF 2000MM - 1201714



NS 35/15 CU UNPERF 2000MM - 1201895



NS 35/15-2,3 UNPERF 2000MM - 1201798



NS 35/15 AL UNPERF 2000MM - 1201756



Solid-state relay module - PLC-PT-EIK 1-SVN 24P/P - 2900397

accessories

NS 35/15 PERF 2000MM - 1201730



NS 35/ 7,5 UNPERF 2000MM - 0801681



Power module

PLC-ESK GY - 2966508



Partition plate

PLC-ATP BK - 2966841



Screwdriver tools

SZF 1-0,6X3,5 - 1204517



Solid-state relay module - PLC-PT-EIK 1-SVN 24P/P - 2900397

accessories

Controller board

PLC-V8/FLK14/IN - 2296553



PLC-V8/FLK14/IN/M - 2304115



PLC-V8/D15B/IN - 2296087



Interface module

PLC-V8/D15S/IN - 2296074



Bridge

FBST 500-PLC RD - 2966786



Solid-state relay module - PLC-PT-EIK 1-SVN 24P/P - 2900397

accessories

FBST 500-PLC BU - 2966692



FBST 500-PLC GY - 2966838



FBST 6-PLC RD - 2966236



FBST 6-PLC BU - 2966812



FBST 6-PLC GY - 2966825



FBST 8-PLC GY - 2967688

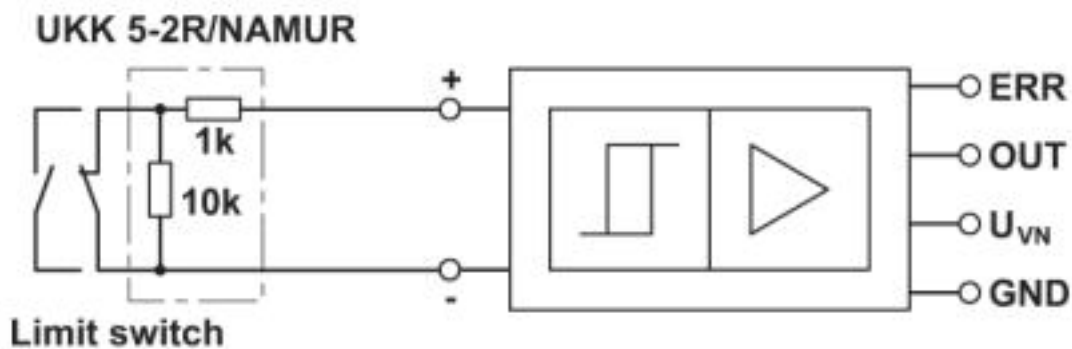


Solid-state relay module - PLC-PT-EIK 1-SVN 24P/P - 2900397

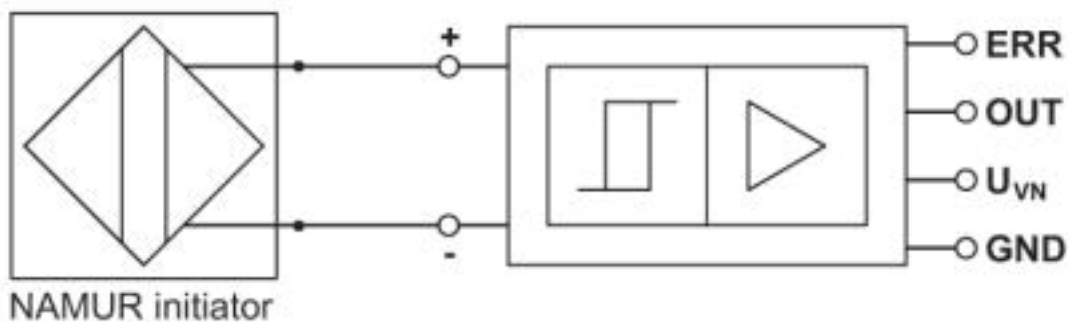
accessories

Drawings

Application drawing

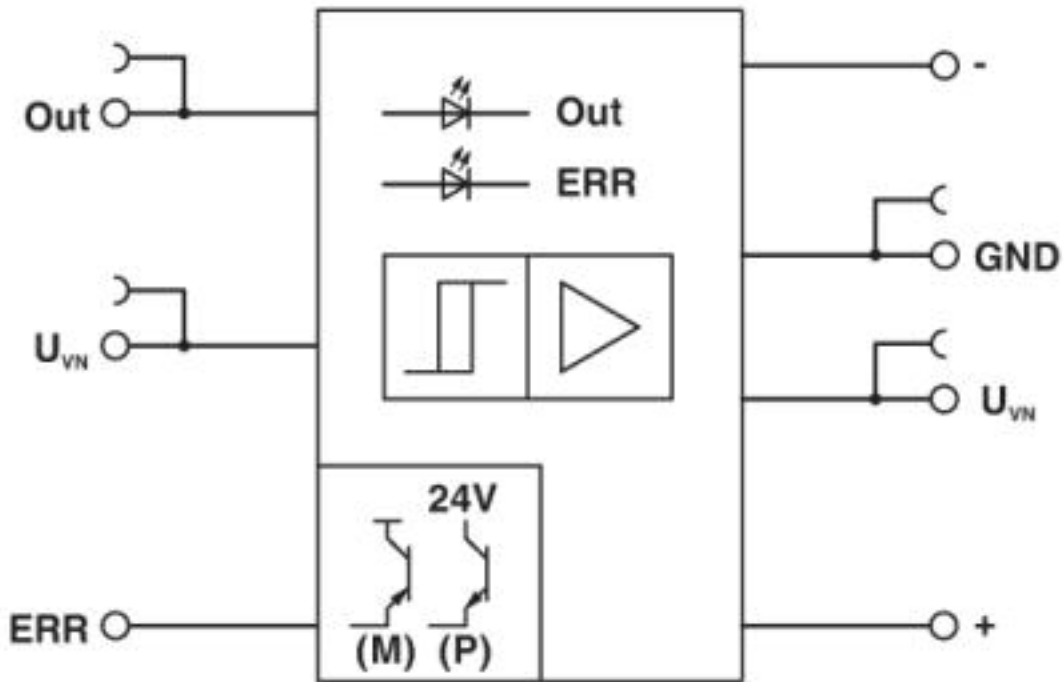


Application drawing



Solid-state relay module - PLC-PT-EIK 1-SVN 24P/P - 2900397

Circuit diagram



© Phoenix Contact 2013 - all rights reserved
<http://www.phoenixcontact.com>