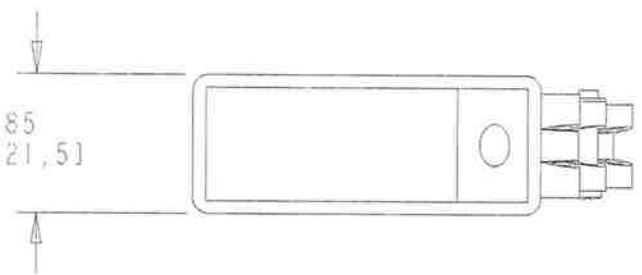


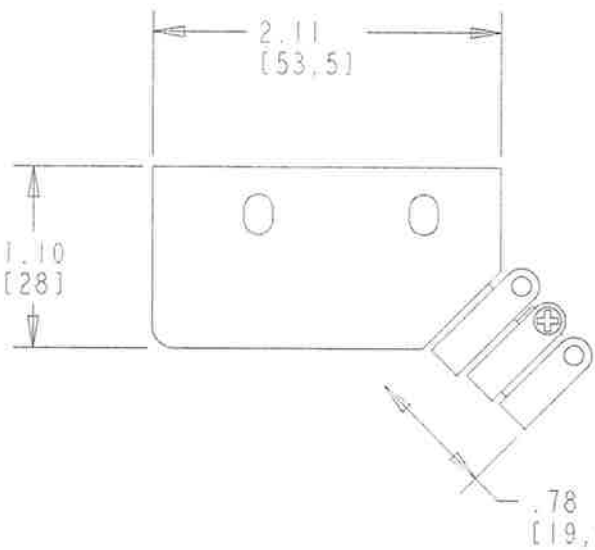
.85
[21,5]



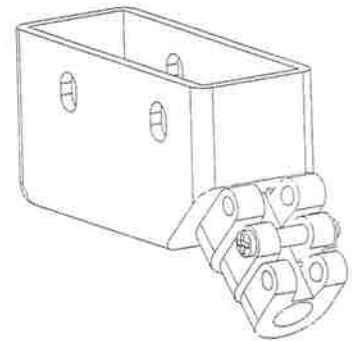
NOTES:
1. MATERIAL: PVC
2. COLOR: BLACK

2.11
[53,5]

1.10
[28]



.78
[19,8]



ORIGINAL ON PROJE

DWN: J. DOLNIK
APVD: SG
DATE: 30-Jun-04

THE CONFIDENTIAL AND PROPRIETARY INFORMATION CONTAINED IN THIS DOCUMENT IS OWNED BY CHERRY ELECTRICAL PRODUCTS, A DIVISION OF THE CHERRY CORPORATION WHO MUST GIVE WRITTEN PERMISSION BEFORE THE DOCUMENT OR INFORMATION CAN BE COPIED, DISCLOSED OR USED IN ANY WAY.



3600 SUNSET AVENUE
WAUKEGAN, IL 60087

THIRD ANGLE PROJECTION



TOLERANCE UNLESS SPECIFIED

X.XX	X.XXX	ANGLES
± 0.01	± 0.005	± 1.0°

NAME / DESCRIPTION
TERMINAL COVER

A	11578	30-Jun-04	JED	SG
REV	ECN NO.	DATE	PREP	APVD

PROJECT / ESR
04-0039

A ITEM NO. 00150703
SCALE: 1:1 SH OF 1

A

A

6 5 4 3 2 1

6 5 4 3 2 1