

Complete switch disconnectors 25 to 100 A

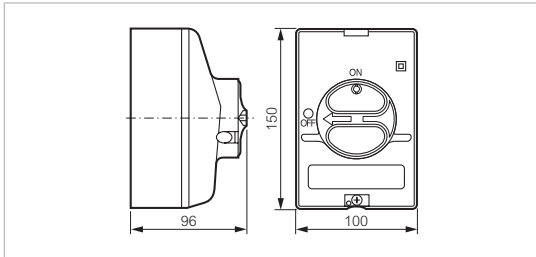
IP 40 as standard, IP 65 on request
and IP 66 on enclosure version with integral handle version

 Characteristics (p. 306)

► ENCLOSURES

INTEGRAL PADLOCKABLE PRESENTATION

Cat. No.



Safety switch to disconnect and isolate poles.
IP 20 “finger safe”
With clutch drive and door interlock
Double break type load switching
Red handle on yellow plate
Actual position (ON or OFF) clearly visible
Conform to standards:
IEC EN 60947-3



172061

IP 66 - IK 07

20 A

3P

172961

3P+NC/NO ⁽¹⁾

172971

4P

172981

25 A

3P

172061

3P+NC/NO ⁽¹⁾

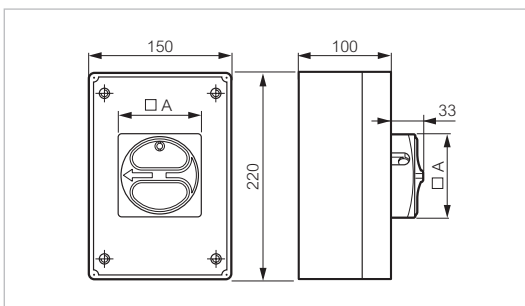
172071

32 A

3P

172161

PADLOCKABLE PRESENTATION



IP 40 ⁽²⁾

50 A

3P

172261

63 A

3P

172361

80 A

3P

172461

100 A

3P

172561

⁽¹⁾ Padlock: Ø 6 to 8 mm

⁽²⁾ IP 65 seal kit ref. 172267 (50 to 63 A)

172277 (80 to 100 A)



172261

50 and 63 A dimensions

A: 66

80 and 100 A dimensions

A: 86