

# Complete switch disconnectors 25 to 100 A

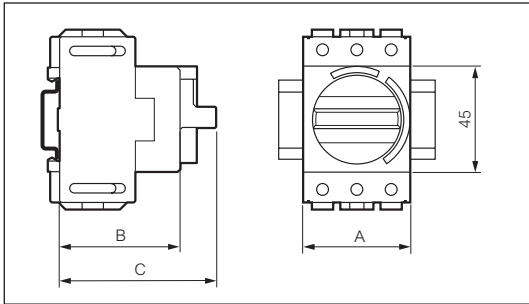
IP 40 as standard, IP 65 on request  
Grey presentation

 Characteristics (p. 306)

► REAR MOUNTING

MODULAR IN-PANEL PRESENTATION

Cat. No.



Safety switch to disconnect and isolate poles.  
IP 20 "finger safe"  
Double break type load switching  
Black handle on grey plate  
Actual position (ON or OFF) clearly visible  
Conform to standards:  
IEC EN 60947-3  
Approved by UL - cUL – Suitable as motor disconnect

**25 A**

3P

**174005**

**32 A**

3P

**174105**

**50 A**

3P

**174205**

**63 A**

3P

**174305**

**80 A**

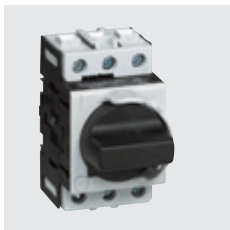
3P

**174405**

**100 A**

3P

**174505**



174005

Dimensions	
A:	44
B:	53
C:	79



174205

Dimensions	
A:	53.6
B:	63
C:	89



174405

Dimensions	
A:	71.8
B:	73
C:	99