

Complete switch disconnectors 25 to 100 A

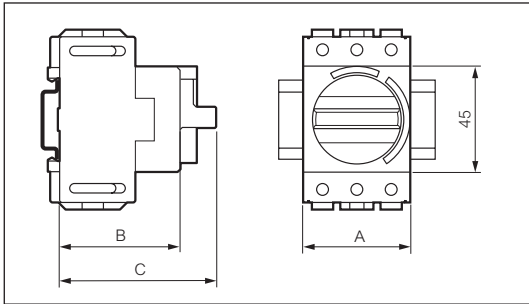
IP 40 as standard, IP 65 on request
Grey presentation

 Characteristics (p. 306)

► REAR MOUNTING

MODULAR IN-PANEL PRESENTATION

Cat. No.



Safety switch to disconnect and isolate poles.
IP 20 "finger safe"
Double break type load switching
Black handle on grey plate
Actual position (ON or OFF) clearly visible
Conform to standards:
IEC EN 60947-3
Approved by UL - cUL – Suitable as motor disconnect

25 A

3P

174005

32 A

3P

174105

50 A

3P

174205

63 A

3P

174305

80 A

3P

174405

100 A

3P

174505



174005

Dimensions	
A:	44
B:	53
C:	79



174205

Dimensions	
A:	53.6
B:	63
C:	89



174405

Dimensions	
A:	71.8
B:	73
C:	99