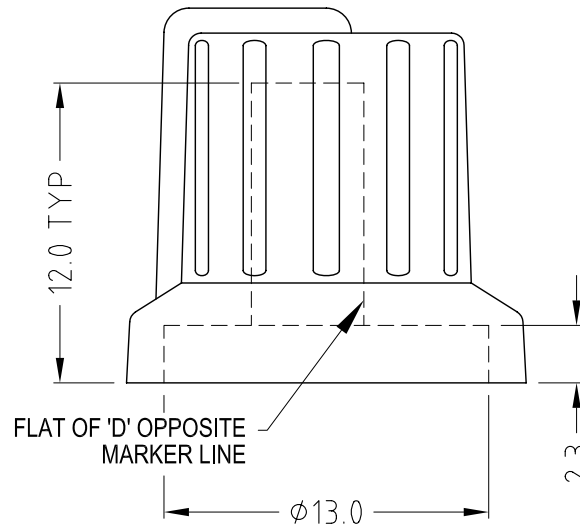
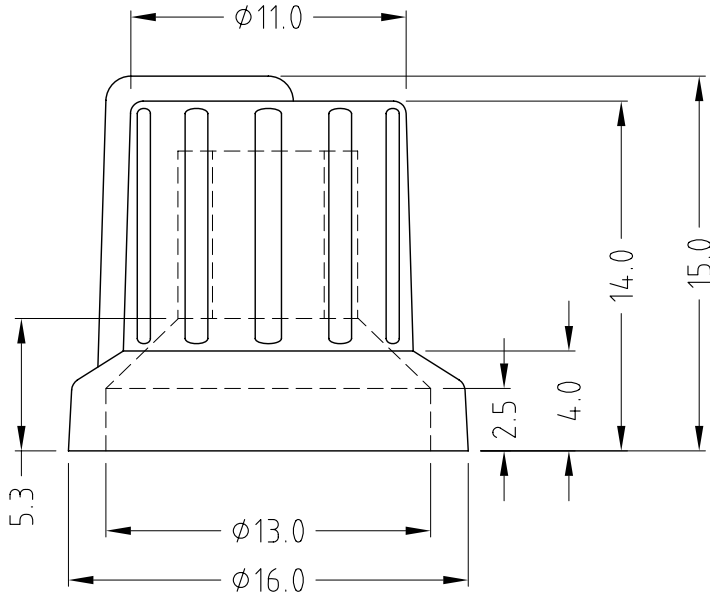
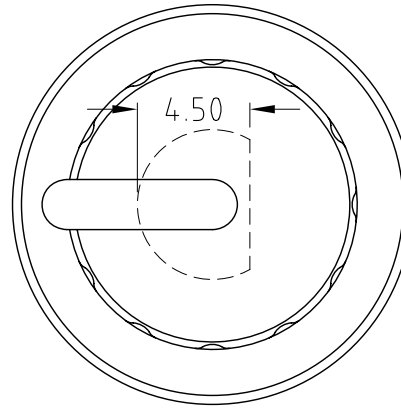
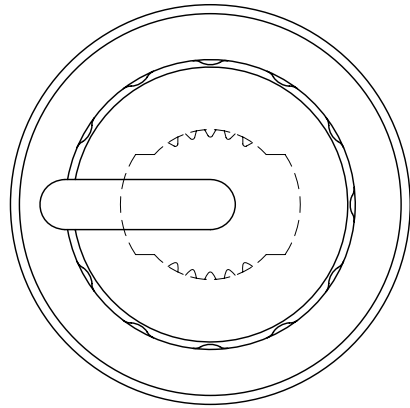


ISS.	AMEND	DATE
1	1st DRAWN	17/04/12

6mm SPLINE SHAFT.
FOR VARIANTS SEE TABLE

6mm USA D SHAFT.
FOR VARIANTS SEE TABLE



VARIANTS			
PART No.	BODY	MARKER LINE	SHAFT
FC72601D	BLACK	WHITE	6mm USA D
FC72601S	BLACK	WHITE	6mm SPLINE
FC72602D	BLACK	RED	6mm USA D
FC72602S	BLACK	RED	6mm SPLINE
FC72603D	BLACK	BLUE	6mm USA D
FC72603S	BLACK	BLUE	6mm SPLINE
FC72604D	BLACK	GREEN	6mm USA D
FC72604S	BLACK	GREEN	6mm SPLINE
FC72605D	BLACK	YELLOW	6mm USA D
FC72605S	BLACK	YELLOW	6mm SPLINE
FC72606D	BLACK	GREY	6mm USA D
FC72606S	BLACK	GREY	6mm SPLINE

RoHS
COMPLIANT

TOLERANCE
NO DEC. PLACE ±
1 DEC. PLACE ±
2 DEC. PLACE ±
HOLE Ø ±
ANGLES ±
UNLESS OTHERWISE STATED

Cliff Electronic Components Ltd.

DIMENSIONS IN MILLIMETERS UNLESS OTHERWISE STATED. WORK TO DIMENSIONS. REMOVE ALL BURRS. IF IN DOUBT ASK.

3rd ANGLE PROJECTION:

DO NOT SCALE

76 Holmethorpe Avenue, Holmethorpe Industrial Estate,
Redhill, Surrey, RH1 2PF, England, UK
Tel: 01737-771375 Fax: 01737-766012 Website: www.cliffuk.co.uk

MATERIAL: TPR / PP

TITLE: KNOB K86R

FINISH: CLEAN

THE CONTENTS OF THIS DOCUMENT MUST NOT BE COPIED OR DISCLOSED TO A 3rd PARTY WITHOUT WRITTEN PERMISSION OF CLIFF UK. © 2012

DRAWN: T.J.O.

APPROVED: D.P.J.

DRWG. No. **FC72601**

FORM: A4DRWGH