

# Solid-state relays - ST-OE3- 24DC/ 48DC/100 - 2911058

Please be informed that the data shown in this PDF Document is generated from our Online Catalog. Please find the complete data in the user's documentation. Our General Terms of Use for Downloads are valid (<http://download.phoenixcontact.com>)



Plug-in input solid-state relay, with LED and protective circuit in input and output circuits, input: 24 V DC, output: 8 - 48 V DC/max. 100 mA, can be plugged into basic terminal blocks

The illustration shows version ST-OV 3- 5 DC/ 48 DC/100

## Key commercial data

<b>package_quantity</b>	10
<b>GTIN</b>	4017918079482

## Technical data

Note:

<b>Utilization restriction</b>	EMC: class A product, see manufacturer's declaration in the download area
--------------------------------	---

## Dimensions

<b>Width</b>	20.8 mm
<b>Height</b>	33 mm
<b>Depth</b>	66.5 mm

## Ambient conditions

<b>Ambient temperature (operation)</b>	-20 °C ... 60 °C
<b>Ambient temperature (storage/transport)</b>	-20 °C ... 70 °C

## Input data

<b>Nominal input voltage <math>U_N</math></b>	24 V DC $\pm$ 10%
<b>Switching threshold "0" signal in reference to <math>U_N</math></b>	$\leq$ 0.4
<b>Switching threshold "1" signal in reference to <math>U_N</math></b>	$\geq$ 0.8
<b>Typical input current at <math>U_N</math></b>	9 mA
<b>Typical response time</b>	50 $\mu$ s
<b>Typical turn-off time</b>	100 $\mu$ s
<b>Status display</b>	Yellow LED
<b>Type of protection</b>	Protection against polarity reversal
<b>Type of protection</b>	Surge protection
<b>Protective circuit/component</b>	Polarity protection diode
<b>Transmission frequency</b>	300 Hz

## Output data

# Solid-state relays - ST-OE3- 24DC/ 48DC/100 - 2911058

## Technical data

### Output data

<b>Output voltage range</b>	8 V DC ... 48 V DC
<b>Limiting continuous current</b>	100 mA
<b>Voltage drop at max. limiting continuous current</b>	1.2 V
<b>Output circuit</b>	2-conductor floating, 3-conductor ground-referenced
<b>Type of protection</b>	Protection against polarity reversal
<b>Type of protection</b>	Free running
<b>Protective circuit/component</b>	Polarity protection diode
<b>Protective circuit/component</b>	Damping diode
<b>Output resistor</b>	approx. 22 kΩ (for 3-wire connection)

### General

<b>Test voltage input/output</b>	2.5 kV AC
<b>Mounting position</b>	Any
<b>Standards/regulations</b>	IEC 60664
<b>Standards/regulations</b>	IEC 60664 A
<b>Standards/regulations</b>	DIN VDE 0110

## classifications

### eCl@ss

<b>eCl@ss 4.0</b>	27371102
<b>eCl@ss 4.1</b>	27371102
<b>eCl@ss 5.0</b>	27371001
<b>eCl@ss 5.1</b>	27371001
<b>eCl@ss 6.0</b>	27371001
<b>eCl@ss 7.0</b>	27371001
<b>eCl@ss 8.0</b>	27371001

### ETIM

<b>ETIM 2.0</b>	EC001504
<b>ETIM 3.0</b>	EC001504
<b>ETIM 4.0</b>	EC001504
<b>ETIM 5.0</b>	EC001504

### UNSPSC

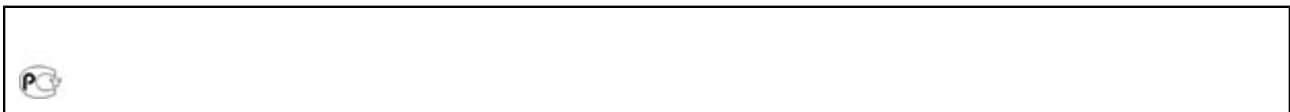
<b>UNSPSC 6.01</b>	30211916
<b>UNSPSC 7.0901</b>	39121542
<b>UNSPSC 11</b>	39121542
<b>UNSPSC 12.01</b>	39121542
<b>UNSPSC 13.2</b>	39121542

# Solid-state relays - ST-OE3- 24DC/ 48DC/100 - 2911058

approvals

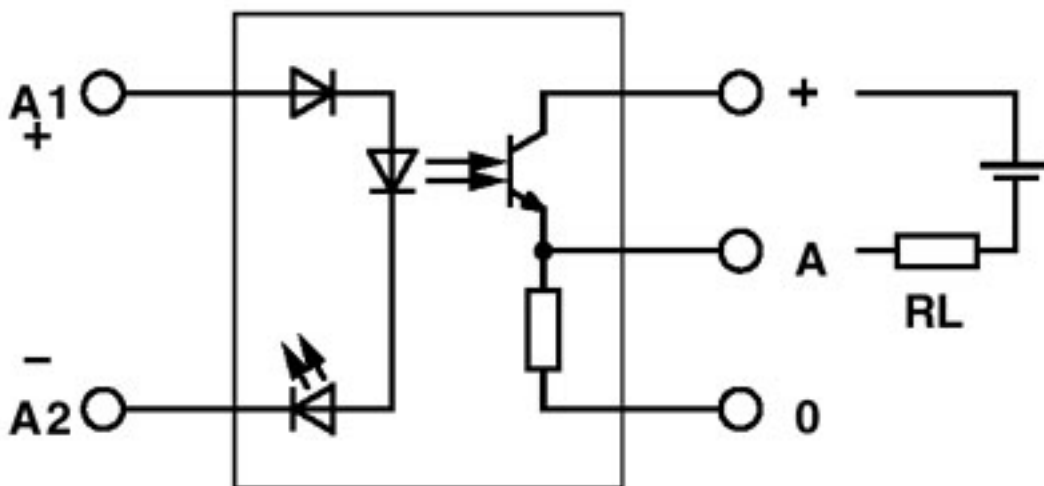
GOST / GOST /

Approval details



Drawings

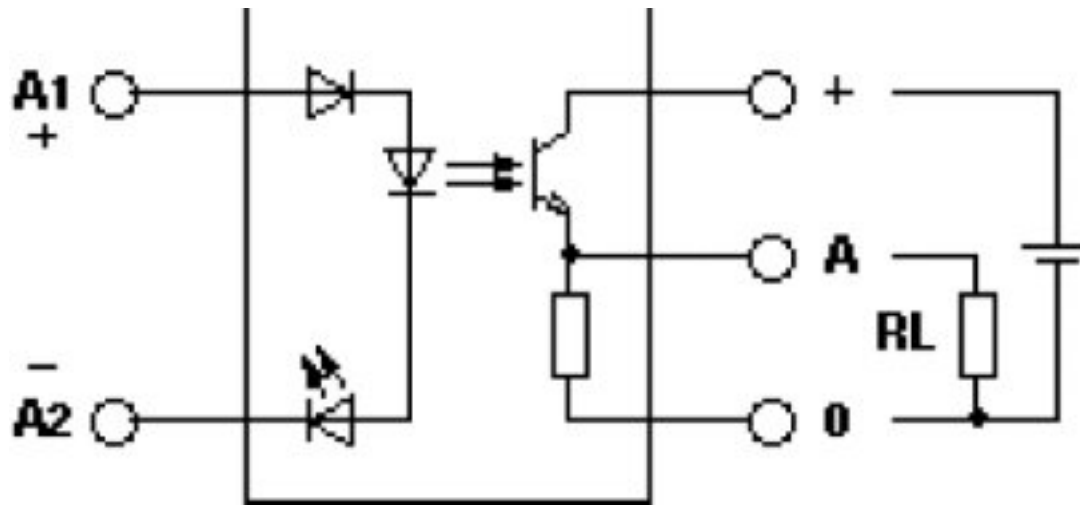
Circuit diagram



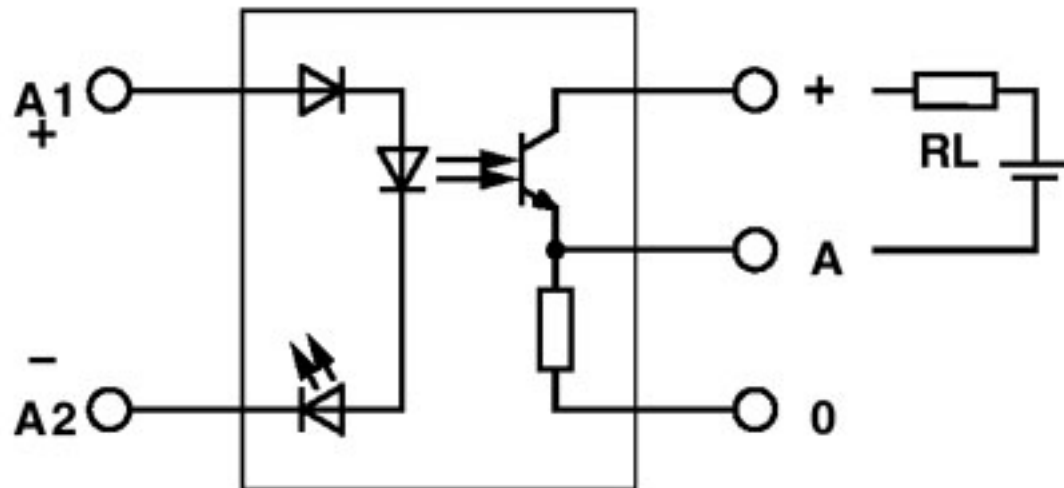
Output: 2-wire, floating, plus switching

# Solid-state relays - ST-OE3- 24DC/ 48DC/100 - 2911058

Circuit diagram



Circuit diagram



Output: 2-wire, floating, minus switching

# Solid-state relays - ST-OE3- 24DC/ 48DC/100 - 2911058

Circuit diagram

